

NISSAN
FORKLIFT

TX Series

1.25 - 2.0 Tonne

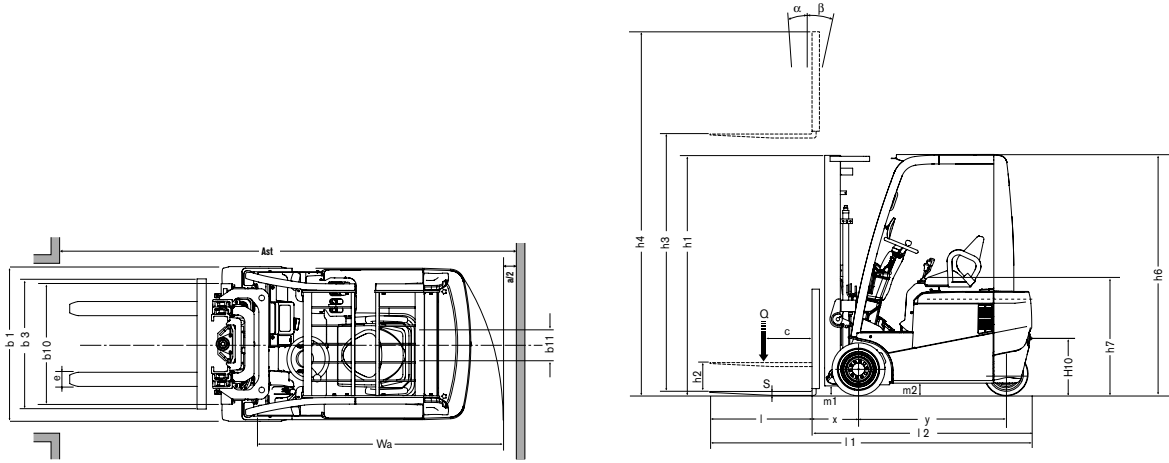


STANDARD SPECIFICATIONS

November 2005		Counterbalance trucks Designation according VDI 3586	Data sheet for materials handling equipment							VDI 2198 Registration note
		Manufacturers Data and Design Characteristics								
CHARACTERISTICS	1.1	Manufacturer		Nissan	Nissan	Nissan	Nissan	Nissan	Nissan	Nissan
	1.2	Model name		TX-13	TX-15	TX-15	TX-16	TX-18	TX-18	TX-20
	1.3	Power unit		Battery	Battery	Battery	Battery	Battery	Battery	Battery
	1.4	Operation		Sit	Sit	Sit	Sit	Sit	Sit	Sit
	1.5	Load capacity	Q (t)	1.25	1.5	1.5	1.6	1.75	1.8	2.0
	1.6	Load centre	c (mm)	500	500	500	500	500	500	500
	1.8	Front overhang	x (mm)	365	365	365	365	370	370	370
	1.9	Wheel base	y (mm)	1195	1195	1300	1410	1300	1410	1410
	WEIGHTS	2.1	Service weight	kg	2815	3135	3010	3160	3210	3370
2.2		Axle load with load, front/rear	kg	3595/470	4060/575	4030/480	4230/530	4445/515	4645/525	4965/515
2.3		Axle load without load, front/rear	kg	1435/1380	1470/1665	1530/1480	1645/1515	1520/1690	1730/1640	1725/1755
WHEELS & TYRES	3.1	Tyres front/rear (G=Cushion,SE=superelastic)		SE(C)/SE(C)						
	3.2	Tyre size, front		18x7-8	18x7-8	18x7-8	18x7-8	18x7-8	200/50-10	200/50-10
	3.3	Tyre size, rear		15x4.5-8	15x4.5-8	15x4.5-8	140/55-9	140/55-9	140/55-9	140/55-9
	3.5	Wheels, number front/rear (x=powered)		2x/2	2x/2	2x/2	2x/2	2x/2	2x/2	2x/2
	3.6	Tread, front	b ₀ (mm)	913 (930)	913 (930)	913 (930)	933 (930)	913 (930)	930 (930)	930 (930)
	3.7	Tread, rear	b ₁ (mm)	176	176	176	176	176	176	176
	DIMENSIONS	4.1	Tilt Mast/carriage, forward/backward	α/β (°)	4/6	4/6	4/6	4/6	4/6	4/6
4.2		Height mast fully lowered	h ₁ (mm)	1955	1955	1955	1955	1955	1955	1955
4.3		Free lift	h ₂ (mm)	95	95	95	95	95	95	95
4.4		Lift height	h ₃ (mm)	3000	3000	3000	3000	3000	3000	3000
4.5		Height mast fully extended	h ₄ (mm)	3580	3580	3580	3580	3580	3580	3580
4.7		Overhead guard height	h ₅ (mm)	2110	2110	2110	2110	2110	2110	2110
4.8		Seat height/Standing height	h ₆ (mm)	957	957	957	957	957	957	957
4.12		Towing coupler height	h ₁₀ (mm)	495	495	495	495	495	495	495
4.19		Overall length	l ₁ (mm)	2685	2685	2790	2900	2795	2905	2905
4.20		Length to fork face	l ₂ (mm)	1785	1785	1890	2000	1895	2005	2005
4.21		Overall width ¹	b ₂ (mm)	1070 (1105)	1070 (1105)	1070 (1105)	1090 (1105)	1070 (1105)	1120 (1105)	1120 (1105)
4.22		Fork dimensions	s,e,l (mm)	35x100x900	35x100x900	35x100x900	35x100x900	40x100x900	40x100x900	40x100x900
4.23		Carriage DIN 15173, Class / Form A,B		2A	2A	2A	2A	2A	2A	2A
4.24		Carriage width	b ₃ (mm)	920	920	920	920	920	920	920
4.31		Mast underclearance loaded	m ₁ (mm)	75	75	75	75	75	75	75
4.32	Underclearance centre wheelbase	m ₂ (mm)	100	100	100	100	100	100	100	
4.33	Right angle stacking aisle with pallet 1000x1200 across forks	Ast (mm)	3110	3110	3215	3325	3215	3330	3330	
4.34	Right angle stacking aisle with pallet 800x1200 across forks	Ast (mm)	2930	2930	3035	3145	3035	3150	3150	
4.35	Turning radius	Wa (mm)	1420	1420	1525	1635	1525	1635	1635	
PERFORMANCE	5.1	Travelling speed with/without load	km/h	13.5/13.5	13.5/13.5	13.5/13.5	15.0/16.0	13.5/13.5	15.0/16.0	15.0/16.0
	5.2	Lifting speed with/without load	mm/s	330/500	300/500	300/500	400/600	270/500	370/600	350/580
	5.3	Lowering speed with/without load	mm/s	500/550	500/550	500/550	500/550	500/550	500/550	500/550
	5.6	Drawbar pull, with/without load	kN	10.5/10.5	10.5/10.5	10.5/10.5	10.5/10.5	10.5/10.5	10.5/10.5	10.5/10.5
	5.8	Gradeability with/without load	%	24.1/34.8	20.8/30.9	21.3/31.2	20.4/30.4	19.1/29.6	17.9/27.8	16.1/25.6
	5.9	Acceleration with/without load	s	4.6/4.2	4.8/4.3	4.8/4.3	4.4/4.0	4.9/4.4	4.6/4.1	4.7/4.2
5.10	Service brake		Hydraulic/Electric							
DRIVE	6.1	Traction motor performance, 1hr. rating	kW	5.0X2	5.0X2	5.0X2	5.0X2	5.0X2	5.0X2	5.0X2
	6.2	Lift motor performance, 20% rating	kW	8.0	8.0	8.0	11.0	8.0	11.0	11.0
	6.3	Battery according		DIN43531A						
	6.4	Battery voltage/rated capacity (5h) ²	V/Ah	48/375	48/430	48/460	48/625	48/460	48/750	48/750
	6.5	Battery weight (±5%)	kg	550	650	710	900	710	1100	1100
OTHERS	8.1	Type of drive control		NISSAN AC TECH - MOS-FET inverter						
	8.2	Working pressure attachments	bar	120	120	120	120	120	120	120

¹) Figure in brackets refer to cushion tyres ²) Larger capacity batteries on request

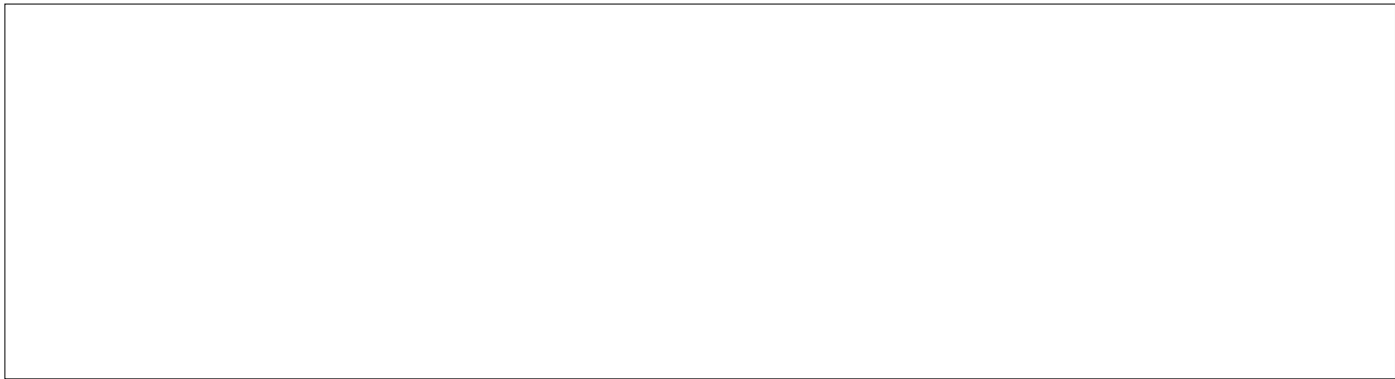
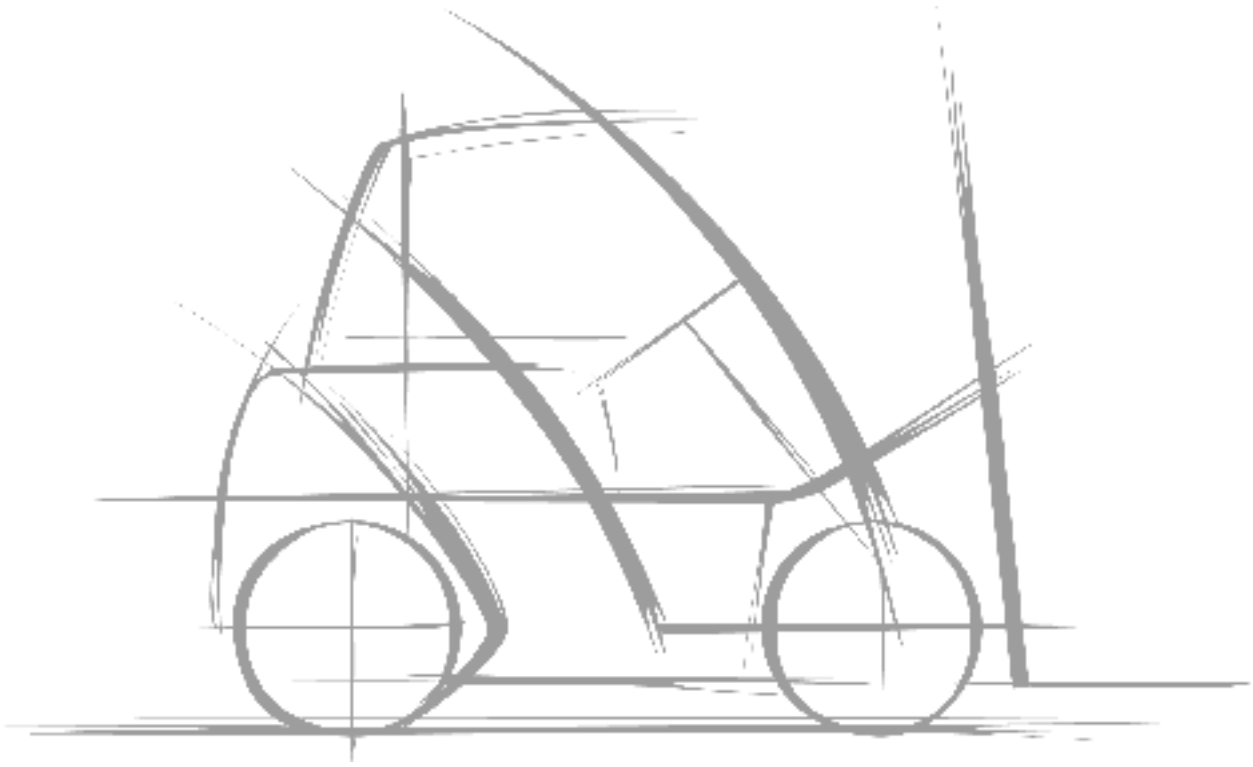
DIMENSIONS



MAST SPECIFICATIONS & RATED CAPACITIES: 1.25 - 2.0 TONNE

Mast type	Mast name	Maximum fork height (mm) ¹	Overall Height			Free Lift		Tilt angle Forward/ backward degrees	Load capacity ² Load centre 500 mm						
			Fully lowered (mm) ¹	Fully extended		Without backrest (mm) ¹	Std. backrest (mm) ¹		1.25 tonne kg ¹	1.5 tonne ³ kg ¹	1.5 tonne kg ¹	1.6 tonne kg ¹	1.75 tonne kg ¹	1.8 tonne kg ¹	2.0 tonne kg ¹
				Without backrest (mm) ¹	Std. backrest (mm) ¹										
TWO STAGE WIDE VIEW	2W270	2700	1805	3280	3645	95	95	4-6	1250	1500	1500	1600	1750	1800	2000
	2W300	3000	1955	3580	3945	95	95	4-6	1250	1500	1500	1600	1750	1800	2000
	2W330	3300	2105	3880	4252	95	95	4-6	1250	1500	1500	1600	1750	1800	2000
	2W350	3500	2240	4080	4445	95	95	4-6	1250	1500	1500	1600	1750	1800	2000
	2W370	3700	2365	4280	4645	95	95	4-6	1250	1500	1500	1600	1750	1800	2000
	2W400	4000	2555	4580	4945	95	95	4-6	1250	1500	1500	1600	1700	1750	1950
	2W450	4500	2805	5080	5445	95	95	4-6	1150	1450	1450	1500	1600	1650	1850
2W500	5000	3055	5580	5945	95	95	4-6	1100	1400	1400	1450	1500	1550	1750	
TWO STAGE FULL FREE	2F270	2700	1805	3280	3645	1260	895	4-6	1250	1500	1500	1600	1750	1800	2000
	2F300	3000	1955	3580	3945	1410	1045	4-6	1250	1500	1500	1600	1750	1800	2000
	2F330	3300	2105	3880	4245	1560	1195	4-6	1250	1500	1500	1600	1750	1800	2000
	2F350	3500	2240	4080	4445	1695	1330	4-6	1250	1500	1500	1600	1750	1800	2000
	2F370	3700	2365	4280	4645	1820	1455	4-6	1250	1500	1500	1600	1700	1750	1950
	2F400	4000	2555	4580	4945	2010	1645	4-6	1200	1500	1500	1550	1650	1700	1900
THREE STAGE FULL FREE	3F385	3850	1805	4430	4795	1235	895	5-5	1200	1500	1500	1550	1650	1700	1900
	3F430	4300	1955	4880	5245	1410	1045	5-5	1150	1450	1450	1500	1600	1650	1850
	3F475	4750	2105	5330	5695	1560	1195	5-5	1050	1400	1400	1450	1550	1600	1750
	3F515	5150	2240	5730	6100	1695	1330	5-5	950	1300	1300	1350	1450	1500	1650
	3F550	5500	2365	6080	6445	1820	1445	5-5	950	1200	1200	1300	1250	1400	1550
	3F600	6000	2555	6580	6945	2010	1645	5-5	800	900	900	1250	950	1350	1450
	3F650	6500	2805	7080	7445	2260	1895	5-5	550	700	750	1150	n.a.	1300	1350
3F700	7000	3055	7580	7945	2510	2145	5-5	350	500	550	1100	n.a.	1200	1200	
THREE STAGE FULL FREE WIDE VIEW	3V360	3600	1805	4145	4510	1295	930	5-5	1150	1400	1400	1550	1650	1700	1850
	3V405	4050	1955	4595	4960	1445	1080	5-5	1100	1350	1350	1500	1600	1650	1800
	3V450	4500	2105	5045	5410	1595	1230	5-5	1050	1300	1300	1450	1550	1600	1700
	3V490	4900	2240	5445	5810	1730	1365	5-5	950	1250	1250	1350	1450	1500	1650
	3V525	5250	2365	5795	6160	1955	1590	5-5	950	1200	1200	1300	1250	1400	1550
	3V575	5750	2555	6295	6660	2045	1680	5-5	800	900	900	1250	950	1300	1450
	3V633	6330	2805	6875	7240	2295	1930	5-5	550	700	750	1150	n.a.	1200	1350
	3V688	6880	3055	7425	7790	2545	2180	5-5	350	500	550	1100	n.a.	1150	1200

¹) 1 inch = 25.4 mm 1 kg = 0.4536 lb ²) With Super Elastic tyres ³) Short wheel base



NISSAN FORKLIFT EUROPE B.V.

<http://www.nissan-nfe.com> SEN-TX-01.NFE/05-xx-xxxx Printed in the Netherlands

Nissan Motor Co., Ltd. reserves the right to make any changes without notice concerning colors, equipment or specifications detailed in this brochure, or to discontinue individual models. The colors of vehicles delivered may differ slightly from those in this brochure. The specifications vary for different countries depending on local market conditions. Please consult your local dealer to ensure that the vehicle delivered accords with your expectations. All values given may vary, due to motor and system tolerances and operational conditions. Some equipment shown on photos are optional.

