

Electric powered forklift 1.6 - 5.0 ton

7FBMF
7FBMF-S



TOYOTA

MATERIAL HANDLING

stronger together

Electric powered forklift 1.6-1.8 ton

Truck specifications					7FBMF16	7FBMF18
Identification	1.1	Manufacturer			Toyota	Toyota
	1.2	Model			7FBMF16	7FBMF18
	1.3	Drive			Electric	Electric
	1.4	Operator type			Rider seated	Rider seated
	1.5	Load capacity/rated load	Q	kg	1600	1800
	1.6	Load centre	c	mm	500	500
	1.8	Load distance, centre of drive axle to fork	x	mm	410	410
	1.9	Wheelbase	y	mm	1420	1420
Weight	2.1	Service weight			3500	3610
	2.2	Axle load, with load, front/rear			4460/650	4770/670
	2.3	Axle load, without load, front/rear			1840/1680	1820/1830
Tyres	3.1	Tyre - pneumatic (P), pneumatic shaped cushion (SE), solid rubber (R)			SE	SE
	3.2	Tyre size, front			21x8-9	21x8-9
	3.3	Tyre size, rear			5.00-8	5.00-8
	3.5	Wheels, number front/rear (x=driven wheels)			2x/2	2x/2
	3.6	Track width, front	b ₁₀	mm	920	920
	3.7	Track width, rear	b ₁₁	mm	895	895
	Dimensions	4.1	Tilt of mast/fork carriage forward/backward	α/β	deg	7/9
4.2		Height, mast lowered	h ₁	mm	2120	2120
4.3		Free lift	h ₂	mm	150	150
4.4		Lift	h ₃	mm	3260	3260
		Lift height	h ₂₃	mm	3300	3300
4.5		Height, mast extended	h ₄	mm	4520	4520
4.7		Height of overhead guard (cab)	h ₆	mm	2195	2195
4.8		Seat height	h ₇	mm	1115	1115
4.12		Coupling height	h ₁₀	mm	355	355
4.19		Overall length	l ₁	mm	2965	2965
4.20		Length to face of forks	l ₂	mm	2165	2165
4.21		Overall width	b ₁	mm	1135	1135
4.22		Fork dimensions	s/e/l	mm	40/80/800	40/80/800
4.23		Fork carriage DIN 15 173, class/type A, B			IIA	IIA
4.24		Fork-carriage width	b ₃	mm	920	920
4.31		Ground clearance, with load, below mast	m ₁	mm	80	80
4.32		Ground clearance, centre of wheelbase	m ₂	mm	85	85
4.33		Aisle width for pallets 1000 x 1200 crossways	A _{st}	mm	3480	3480
4.34	Aisle width for pallets 800 x 1200 lengthways	A _{st}	mm	3680	3680	
4.35	Turning radius	W _a	mm	1870	1870	
4.36	Internal turning radius	b ₁₃	mm	572,5	572,5	
Performance data	5.1	Travel speed, with/without load		km/h	16,0/17,0	15,5/17,0
	5.2	Lift speed, with/without load		m/s	0,52/0,78	0,48/0,78
	5.3	Lowering speed, with/without load		m/s	0,50/0,50	0,50/0,50
	5.5	Drawbar pull, with/without load		N	9700/9600	9600/9500
	5.6	Max. drawbar pull, with/without load		N	12100/11800	12100/11800
	5.7	Gradeability, with/without load		%	22/30	21/28
	5.8	Max. gradeability, with/without load		%	25/30	23/28
	5.10	Service brake			Hydraulic	Hydraulic
Motor	6.1	Drive motor rating S2 60 min		kW	13,3	13,3
	6.2	Lift motor rating S3 15%		kW	13,5	13,5
	6.3	Battery acc. to DIN 43 531/35/36 A, B, C, no			43 536A	43 536A
	6.4	Battery voltage, nominal capacity K5		V/Ah	80/400	80/400
	6.5	Battery weight		kg	1210	1210
Others	8.1	Type of drive control			Transistor inverter	Transistor inverter
	8.2	Operating pressure for attachments		bar	165	165
	8.3	Oil volume for attachments		l/min	44	44
	8.4	Sound level at the driver's ear according to EN 12 053		dB(A)	69	69

Performance data and dimensions are nominal and subject to tolerances.

Specifications are subject to change without notice.

Please obtain the latest specifications before contracting products.

Master dimensions and rated capacities

7FBMF

Model			V								FV					FSV							
7FBMF16/18	Lift height	h_{23}	3000	3300	3500	3700	4000	4500	5000	3000	3300	3500	3700	4000	3700	4000	4300	4700	5000	5500	6000	6500	
	Lift	h_3	2960	3260	3460	3660	3960	4460	4960	2960	3260	3460	3660	3960	3660	3960	4260	4660	4960	5460	5960	6460	
	Height, mast lowered ¹⁾	h_1	1970	2120	2220	2380	2570	2820	3070	1970	2120	2220	2380	2570	1770	1870	1970	2120	2220	2380	2570	2820	
	Height, mast extended ²⁾	h_4	3600	3900	4100	4300	4600	5100	5600	3550	3850	4050	4250	4550	4225	4525	4825	5225	5525	6025	6525	6775	
	Height, mast extended ³⁾	h_4	4220	4520	4720	4920	5220	5720	6220	4220	4520	4720	4920	5220	4920	5220	5520	5920	6220	6720	7220	7470	
	Free lift, without load backrest	h_2	150	150	150	150	150	150	150	1410	1560	1660	1820	2010	1235	1335	1435	1585	1685	1845	2035	2885	
	Free lift, with load backrest	h_2	150	150	150	150	150	150	150	[1135]	[1285]	[1385]	[1545]	[1735]	[1165]	[1265]	[1365]	[1515]	[1615]	[1775]	[1965]	[2215]	
			150	150	150	150	150	150	150	760	910	1010	1170	1360	560	660	760	910	1010	1170	1360	1610	

1) With optional tyre size; 6.50-10-12PR (I), plus 20 mm.

2) Without load backrest.

3) With load backrest; Height of standard load backrest is 1220 mm.

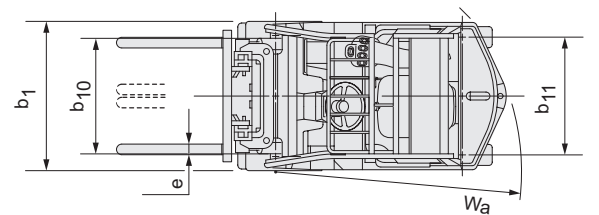
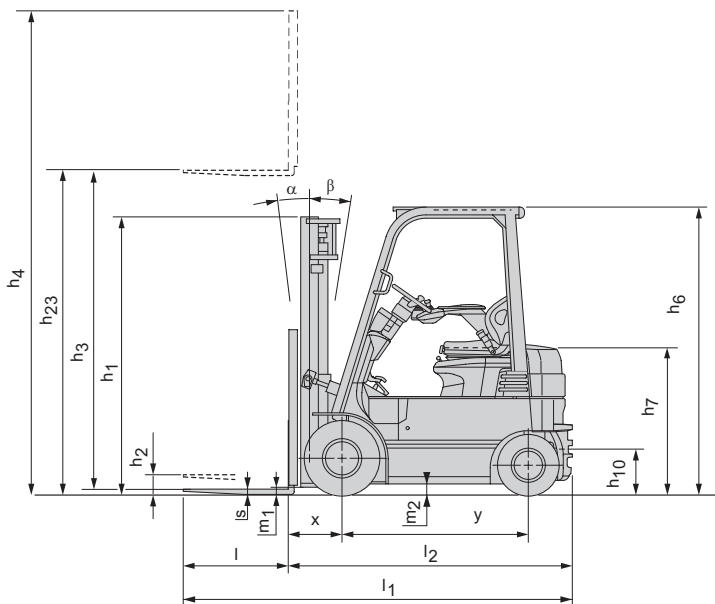
Data in [] are for when "A4 piping" is selected.

Single Tyre (STD Tread)			V								FV					FSV							
7FBMF16	Tilt range, forward	deg	7	7	7	7	7	7	7	7	7	7	7	7	7	7	7	7	7	7	7	7	
	Tilt range, backward	deg	9(5)	9(5)	9(5)	9(5)	9(5)	5	5	9(5)	9(5)	9(5)	9(5)	9(5)	5	5	5	5	5	5	5	5	
	Load capacity at 500 mm LC	kg	1600	1600	1600	1600	1600	1600	1600	1600	1600	1600	1600	1600	1600	1600	1600	1600	1590	1530	1360	1150	
7FBMF18	Tilt range, forward	deg	7	7	7	7	7	7	7	7	7	7	7	7	7	7	7	7	7	7	7	7	
	Tilt range, backward	deg	9(5)	9(5)	9(5)	9(5)	9(5)	5	5	9(5)	9(5)	9(5)	9(5)	9(5)	5	5	5	5	5	5	5	5	
	Load capacity at 500 mm LC	kg	1800	1800	1800	1800	1800	1800	1780	1800	1800	1800	1800	1800	1800	1800	1800	1780	1750	1650	1340	1100	

Single Tyre (Wide Tread)			V								FV					FSV							
7FBMF16	Tilt range, forward	deg	7	7	7	7	7	7	7	7	7	7	7	7	7	7	7	7	7	7	7	7	
	Tilt range, backward	deg	9(5)	9(5)	9(5)	9(5)	9(5)	5	5	9(5)	9(5)	9(5)	9(5)	9(5)	5	5	5	5	5	5	5	5	
	Load capacity at 500 mm LC	kg	1600	1600	1600	1600	1600	1600	1600	1600	1600	1600	1600	1600	1600	1600	1600	1600	1590	1530	1470	1250	
7FBMF18	Tilt range, forward	deg	7	7	7	7	7	7	7	7	7	7	7	7	7	7	7	7	7	7	7	7	
	Tilt range, backward	deg	9(5)	9(5)	9(5)	9(5)	9(5)	5	5	9(5)	9(5)	9(5)	9(5)	9(5)	5	5	5	5	5	5	5	5	
	Load capacity at 500 mm LC	kg	1800	1800	1800	1800	1800	1800	1800	1800	1800	1800	1800	1800	1800	1800	1800	1780	1740	1670	1600	1400	

Data in () are for when "Cabin Series" is selected (minimum front windshield).

Tilt range BWD for FV mast 3000 – 4000 mm is 5° when "A410, A430, A450" is selected



Electric powered forklift 2.0-2.5 ton

Truck specifications					7FBMF20	7FBMF20-S	7FBMF25	7FBMF25-S	
Identification	1.1	Manufacturer			Toyota	Toyota	Toyota	Toyota	
	1.2	Model			7FBMF20	7FBMF20-S	7FBMF25	7FBMF25-S	
	1.3	Drive			Electric	Electric	Electric	Electric	
	1.4	Operator type			Rider seated	Rider seated	Rider seated	Rider seated	
	1.5	Load capacity/rated load	Q	kg	2000	2000	2500	2500	
	1.6	Load centre	c	mm	500	500	500	500	
	1.8	Load distance, centre of drive axle to fork	x	mm	430	430	430	430	
	1.9	Wheelbase	y	mm	1580	1580	1580	1580	
	Weight	2.1	Service weight			4018	4018	4358	4358
2.2		Axle load, with load, front/rear			5330/770	5330/770	6110/830	6110/830	
2.3		Axle load, without load, front/rear			2150/1950	2150/1950	2140/2300	2140/2300	
Tyres	3.1	Tyre - pneumatic (P), pneumatic shaped cushion (SE), solid rubber (R)			SE	SE	SE	SE	
	3.2	Tyre size, front			21x8-9	23x9-10	23x9-10	23x9-10	
	3.3	Tyre size, rear			5.00-8	5.00-8	18x7-8	18x7-8	
	3.5	Wheels, number front/rear (x=driven wheels)			2x/2	2x/2	2x/2	2x/2	
	3.6	Track width, front	b ₁₀	mm	970	970	970	970	
	3.7	Track width, rear	b ₁₁	mm	895	895	940	940	
	Dimensions	4.1	Tilt of mast/fork carriage forward/backward		α/β	deg	7/9	7/9	6/10
4.2		Height, mast lowered		h ₁	mm	2120	2145	2145	
4.3		Free lift		h ₂	mm	125	125	125	
4.4		Lift		h ₃	mm	3260	3260	3260	
		Lift height		h ₂₃	mm	3300	3300	3300	
4.5		Height, mast extended		h ₄	mm	4520	4520	4520	
4.7		Height of overhead guard (cab)		h ₆	mm	2195	2215	2215	
4.8		Seat height		h ₇	mm	1115	1115	1130	
4.12		Coupling height		h ₁₀	mm	355	355	355	
4.19		Overall length		l ₁	mm	3355	3355	3365	
4.20		Length to face of forks		l ₂	mm	2355	2355	2365	
4.21		Overall width		b ₁	mm	1170	1170	1170	
4.22		Fork dimensions		s/e/l	mm	40/100/1000	40/100/1000	40/100/1000	
4.23		Fork carriage DIN 15 173, class/type A, B				IIA	IIA	IIA	
4.24		Fork-carriage width		b ₃	mm	1020	1020	1020	
4.31		Ground clearance, with load, below mast		m ₁	mm	80	80	105	
4.32		Ground clearance, centre of wheelbase		m ₂	mm	85	85	105	
4.33		Aisle width for pallets 1000 x 1200 crossways		A _{st}	mm	3650	3650	3660	
4.34		Aisle width for pallets 800 x 1200 lengthways		A _{st}	mm	3850	3850	3860	
4.35	Turning radius		W _a	mm	2020	2020	2030		
4.36	Internal turning radius		b ₁₃	mm	600	600	600		
Performance data	5.1	Travel speed, with/without load			km/h	15,0/16,0	20,0/21,0	16,0/17,0	
	5.2	Lift speed, with/without load			m/s	0,48/0,63	0,48/0,63	0,46/0,63	
	5.3	Lowering speed, with/without load			m/s	0,50/0,50	0,50/0,50	0,50/0,50	
	5.5	Drawbar pull, with/without load			N	11800/11500	6140/6220	10200/10200	
	5.6	Max. drawbar pull, with/without load			N	16400/15900	13800/13500	14400/14200	
	5.7	Gradeability, with/without load			%	28/31	17/25	21/28	
	5.8	Max. gradeability, with/without load			%	29/31	24/31	22/28	
	5.10	Service brake				Hydraulic	Hydraulic	Hydraulic	
	Motor	6.1	Drive motor rating S2 60 min			kW	17,1	17,1	17,1
		6.2	Lift motor rating S3 15%			kW	18,6	18,6	18,6
6.3		Battery acc. to DIN 43 531/35/36 A, B, C, no				43 536A	43 536A	43 536A	
6.4		Battery voltage, nominal capacity K5			V/Ah	80/500	80/500	80/500	
6.5		Battery weight			kg	1458	1458	1458	
Others	8.1	Type of drive control				Transistor inverter		Transistor inverter	
	8.2	Operating pressure for attachments			bar	185	185	185	
	8.3	Oil volume for attachments			l/min	43	43	43	
	8.4	Sound level at the driver's ear according to EN 12 053			dB(A)	69	69	69	

Performance data and dimensions are nominal and subject to tolerances.

Specifications are subject to change without notice.

Please obtain the latest specifications before contracting products.

Master dimensions and rated capacities

7FBMF

Model			V								FV					FSV							
7FBMF20	Lift height	h_{23}	3000	3300	3500	3700	4000	4500	5000	3000	3300	3500	3700	4000	3700	4000	4300	4700	5000	5500	6000	6500	
	Lift	h_3	2960	3260	3460	3660	3960	4460	4960	2960	3260	3460	3660	3960	3660	3960	4260	4660	4960	5460	5960	6460	
	Height, mast lowered ¹⁾	h_1	1970	2120	2220	2380	2570	2820	3070	1970	2120	2220	2380	2570	1770	1870	1970	2120	2220	2380	2570	2820	
	Height, mast extended ²⁾	h_4	3655	3955	4155	4355	4655	5155	5655	3595	3895	4095	4295	4595	4335	4635	4935	5335	5635	6135	6635	6885	
	Height, mast extended ³⁾	h_4	4220	4520	4720	4920	5220	5720	6220	4220	4520	4720	4920	5220	4920	5220	5520	5920	6220	6720	7220	7470	
	Free lift, without load backrest	h_2	125	125	125	125	125	125	125	1365	1515	1615	1775	1965	1125	1225	1325	1475	1575	1735	1925	2175	
	Free lift, with load backrest	h_2	125	125	125	125	125	125	125	[1140]	[1290]	[1390]	[1550]	[1740]	560	660	760	910	1010	1170	1360	1610	

Model			V								FV					FSV							
7FBMF25	Lift height	h_{23}	3000	3300	3500	3700	4000	4500	5000	3000	3300	3500	3700	4000	3700	4000	4300	4700	5000	5500	6000	6500	
	Lift	h_3	2960	3260	3460	3660	3960	4460	4960	2960	3260	3460	3660	3960	3660	3960	4260	4660	4960	5460	5960	6460	
	Height, mast lowered	h_1	1995	2145	2245	2405	2595	2845	3095	1995	2145	2245	2405	2595	1795	1895	1995	2145	2245	2405	2595	2845	
	Height, mast extended ²⁾	h_4	3655	3955	4155	4355	4655	5155	5655	3595	3895	4095	4295	4595	4335	4635	4935	5335	5635	6135	6635	6885	
	Height, mast extended ³⁾	h_4	4220	4520	4720	4920	5220	5720	6220	4220	4520	4720	4920	5220	4920	5220	5520	5920	6220	6720	7220	7470	
	Free lift, without load backrest	h_2	125	125	125	125	125	125	125	1390	1540	1640	1800	1990	1150	1250	1350	1500	1600	1760	1950	2200	
	Free lift, with load backrest	h_2	125	125	125	125	125	125	125	785	935	1035	1195	1385	585	685	785	935	1035	1195	1385	1638	

1) With optional tyre size; 23x9-10PR (I), plus 25 mm.

2) Without load backrest.

3) With load backrest; Height of standard load backrest is 1220 mm.

Data in [] are for when "A4 piping" is selected.

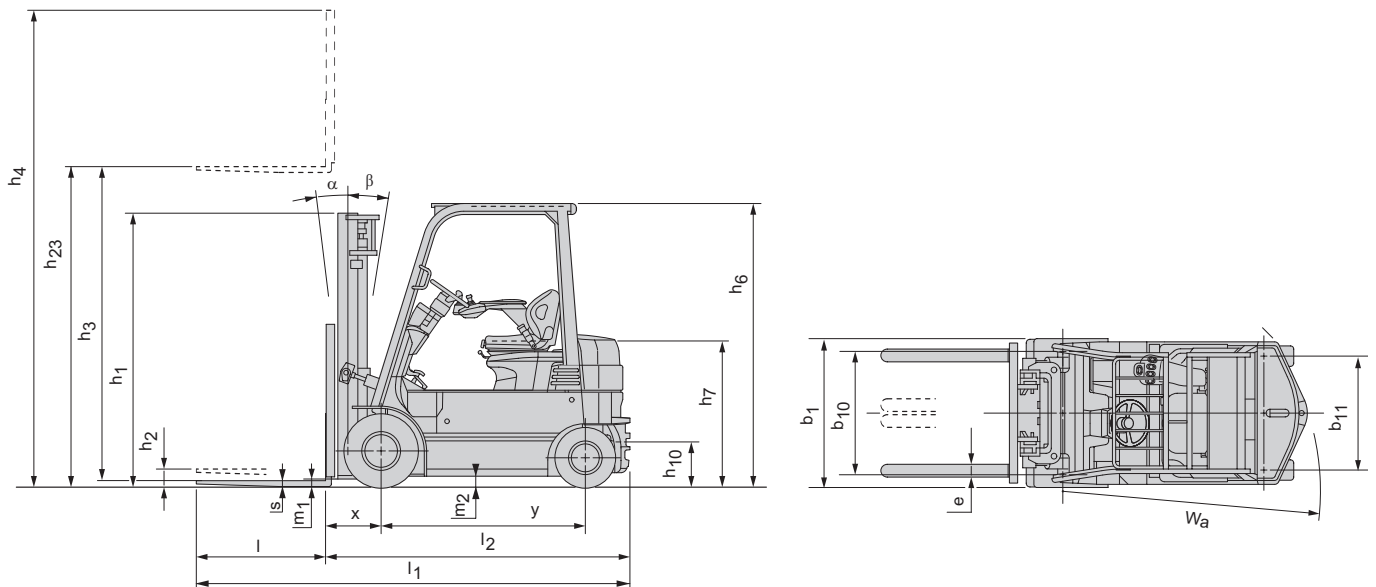
Single Tyre (STD Tread)			V								FV					FSV							
7FBMF20	Tilt range, forward	deg	7	7	7	7	7	7	7	7	7	7	7	7	7	7	7	7	7	7	7	7	
	Tilt range, backward	deg	9(5)	9(5)	9(5)	9(5)	9(5)	5	5	9(5)	9(5)	9(5)	9(5)	9(5)	5	5	5	5	5	5	5	5	
	Load capacity at 500 mm LC	kg	2000	2000	2000	2000	2000	2000	2000	2000	2000	2000	2000	2000	2000	2000	2000	2000	1980	1910	1710	1350	
7FBMF25	Tilt range, forward	deg	6	6	6	6	6	6	6	6	6	6	6	6	6	6	6	6	6	6	6	7	
	Tilt range, backward	deg	10(6)	10(6)	10(6)	10(6)	10(6)	6	6	10(6)	10(6)	10(6)	10(6)	10(6)	6	6	6	6	6	6	6	5	
	Load capacity at 500 mm LC	kg	2500	2500	2500	2500	2500	2500	2460	2500	2500	2500	2500	2500	2500	2500	2480	2420	2380	2060	1660	1400	

Single Tyre (Wide Tread)			V								FV					FSV							
7FBMF20	Tilt range, forward	deg	7	7	7	7	7	7	7	7	7	7	7	7	7	7	7	7	7	7	7	7	
	Tilt range, backward	deg	9(5)	9(5)	9(5)	9(5)	9(5)	5	5	9(5)	9(5)	9(5)	9(5)	9(5)	5	5	5	5	5	5	5	5	
	Load capacity at 500 mm LC	kg	2000	2000	2000	2000	2000	2000	2000	2000	2000	2000	2000	2000	2000	2000	2000	2000	1980	1910	1840	1550	
7FBMF25	Tilt range, forward	deg	6	6	6	6	6	6	6	6	6	6	6	6	6	6	6	6	6	6	6	7	
	Tilt range, backward	deg	10(6)	10(6)	10(6)	10(6)	10(6)	6	6	10(6)	10(6)	10(6)	10(6)	10(6)	6	6	6	6	6	6	6	5	
	Load capacity at 500 mm LC	kg	2500	2500	2500	2500	2500	2500	2460	2500	2500	2500	2500	2500	2500	2500	2500	2450	2400	2300	2200	1950	

Data in () are for when "Cabin Series" is selected (minimum front windshield).

Tilt range BWD for 7FBMF20 FV mast 3000 – 4000 mm is 5° when "A410, A430, A450" is selected.

Tilt range BWD for 7FBMF25 FV mast 3000 – 4000 mm is 6° when "A410, A430, A450" is selected



Electric powered forklift 3.0-3.5 ton

Truck specifications					7FBMF30	7FBMF30-S	7FBMF35	
Identification	1.1	Manufacturer			Toyota	Toyota	Toyota	
	1.2	Model			7FBMF30	7FBMF30-S	7FBMF35	
	1.3	Drive			Electric	Electric	Electric	
	1.4	Operator type			Rider seated	Rider seated	Rider seated	
	1.5	Load capacity/rated load	Q	kg	3000	3000	3500	
	1.6	Load centre	c	mm	500	500	500	
	1.8	Load distance, centre of drive axle to fork	x	mm	460	460	495	
	1.9	Wheelbase	y	mm	1725	1725	1725	
	Weight	2.1	Service weight			5001	5001	5651
2.2		Axle load, with load, front/rear			7200/870	7200/870	8130/1090	
2.3		Axle load, without load, front/rear			2530/2540	2530/2540	2620/3100	
Tyres	3.1	Tyre - pneumatic (P), pneumatic shaped cushion (SE), solid rubber (R)			SE	SE	SE	
	3.2	Tyre size, front			23x10-12	23x10-12	23x10-12	
	3.3	Tyre size, rear			18x7-8	18x7-8	18x7-8	
	3.5	Wheels, number front/rear (x=driven wheels)			2x/2	2x/2	2x/2	
	3.6	Track width, front	b ₁₀	mm	970	970	970	
	3.7	Track width, rear	b ₁₁	mm	940	940	940	
	Dimensions	4.1	Tilt of mast/fork carriage forward/backward	α/β	deg	6/10	6/10	6/10
4.2		Height, mast lowered	h ₁	mm	2130	2130	2300	
4.3		Free lift	h ₂	mm	135	135	135	
4.4		Lift	h ₃	mm	3255	3255	3255	
		Lift height	h ₂₃	mm	3300	3300	3300	
4.5		Height, mast extended	h ₄	mm	4520	4520	4520	
4.7		Height of overhead guard (cab)	h ₆	mm	2215	2215	2215	
4.8		Seat height	h ₇	mm	1130	1130	1130	
4.12		Coupling height	h ₁₀	mm	355	355	355	
4.19		Overall length	l ₁	mm	3540	3540	3630	
4.20		Length to face of forks	l ₂	mm	2540	2540	2630	
4.21		Overall width	b ₁	mm	1220	1220	1220	
4.22		Fork dimensions	s/e/l	mm	45/100/1000	45/100/1000	45/125/1000	
4.23		Fork carriage DIN 15 173, class/type A, B			IIIA	IIIA	IIIA	
4.24		Fork-carriage width	b ₃	mm	1070	1070	1070	
4.31		Ground clearance, with load, below mast	m ₁	mm	95	95	145	
4.32		Ground clearance, centre of wheelbase	m ₂	mm	105	105	105	
4.33		Aisle width for pallets 1000 x 1200 crossways	A _{st}	mm	3820	3820	3910	
4.34	Aisle width for pallets 800 x 1200 lengthways	A _{st}	mm	4020	4020	4110		
4.35	Turning radius	W _a	mm	2160	2160	2215		
4.36	Internal turning radius	b ₁₃	mm	680	680	680		
Performance data	5.1	Travel speed, with/without load		km/h	15,0/16,0	20,0/21,0	14,0/16,0	
	5.2	Lift speed, with/without load		m/s	0,44/0,55	0,44/0,55	0,37/0,47	
	5.3	Lowering speed, with/without load		m/s	0,50/0,45	0,50/0,45	0,50/0,45	
	5.5	Drawbar pull, with/without load		N	9900/10200	5720/6150	9600/10100	
	5.6	Max. drawbar pull, with/without load		N	14100/14100	13300/13400	13600/14000	
	5.7	Gradeability, with/without load		%	18/29	12/20	15/25	
	5.8	Max. gradeability, with/without load		%	18/29	17/28	15/26	
	5.10	Service brake			Hydraulic	Hydraulic	Hydraulic	
	Motor	6.1	Drive motor rating S2 60 min		kW	17,1	17,1	17,1
		6.2	Lift motor rating S3 15%		kW	18,6	18,6	18,6
6.3		Battery acc. to DIN 43 531/35/36 A, B, C, no			43 536A	43 536A	43 536A	
6.4		Battery voltage, nominal capacity K5		V/Ah	80/600	80/600	80/600	
6.5		Battery weight		kg	1721	1721	1721	
Others	8.1	Type of drive control			Transistor inverter	Transistor inverter	Transistor inverter	
	8.2	Operating pressure for attachments		bar	185	185	185	
	8.3	Oil volume for attachments		l/min	43	43	43	
	8.4	Sound level at the driver's ear according to EN 12 053		dB(A)	71	71	71	

Performance data and dimensions are nominal and subject to tolerances.

Specifications are subject to change without notice.

Please obtain the latest specifications before contracting products.

Master dimensions and rated capacities

7FBMF

Model			V								FV					FSV							
7FBMF30	Lift height	h_{23}	3000	3300	3500	3700	4000	4500	5000	3000	3300	3500	3700	4000	3700	4000	4300	4700	5000	5500	6000	6500	
	Lift	h_3	2955	3255	3455	3655	3955	4455	4955	2955	3255	3455	3655	3955	3655	3955	4255	4655	4955	5455	5955	6455	
	Height, mast lowered	h_1	1980	2130	2230	2390	2580	2830	3080	1980	2130	2230	2390	2580	1880	1980	2130	2230	2390	2580	2830	3080	
	Height, mast extended ¹⁾	h_4	3675	3975	4175	4375	4675	5175	5675	3570	3870	4070	4270	4570	4270	4570	4870	5270	5570	6070	6570	6820	
	Height, mast extended ²⁾	h_4	4220	4520	4720	4920	5220	5720	6220	4220	4520	4720	4920	5220	4920	5220	5520	5920	6200	6720	7220	7470	
	Free lift, without load backrest	h_2	135	135	135	135	135	135	135	1410	1560	1660	1820	2010	1300	1400	1550	1650	1810	2000	2250	2500	
	Free lift, with load backrest	h_2	135	135	135	135	135	135	135	[1095]	[1245]	[1345]	[1505]	[1695]	[1095]	[1195]	[1345]	[1445]	[1605]	[1795]	[2045]	[2295]	
			765	915	1015	1175	1365	665	765	915	1015	1175	1365	1615	1865								

Model			V								FSV							
7FBMF35	Lift height	h_{23}	3000	3300	3500	3700	4000	4500	5000	3700	4000	4300	4700	5000	5500	6000	6500	
	Lift	h_3	2955	3255	3455	3655	3955	4455	4955	3655	3955	4255	4655	4955	5455	5955	6455	
	Height, mast lowered	h_1	2120	2300	2400	2500	2750	3000	3250	2030	2180	2235	2440	2630	2880	3130	3380	
	Height, mast extended ¹⁾	h_4	3865	4165	4365	4565	4865	5365	5865	4425	4725	5025	5425	5725	6225	6725	6975	
	Height, mast extended ²⁾	h_4	4220	4520	4720	4920	5220	5720	6220	4920	5220	5520	5920	6220	6720	7220	7470	
	Free lift, without load backrest	h_2	135	135	135	135	135	135	135	1300	1450	1510	1715	1905	2155	2405	2655	
	Free lift, with load backrest	h_2	135	145	135	135	135	135	135	815	965	1020	1225	1415	1665	1915	2165	

1) Without load backrest.

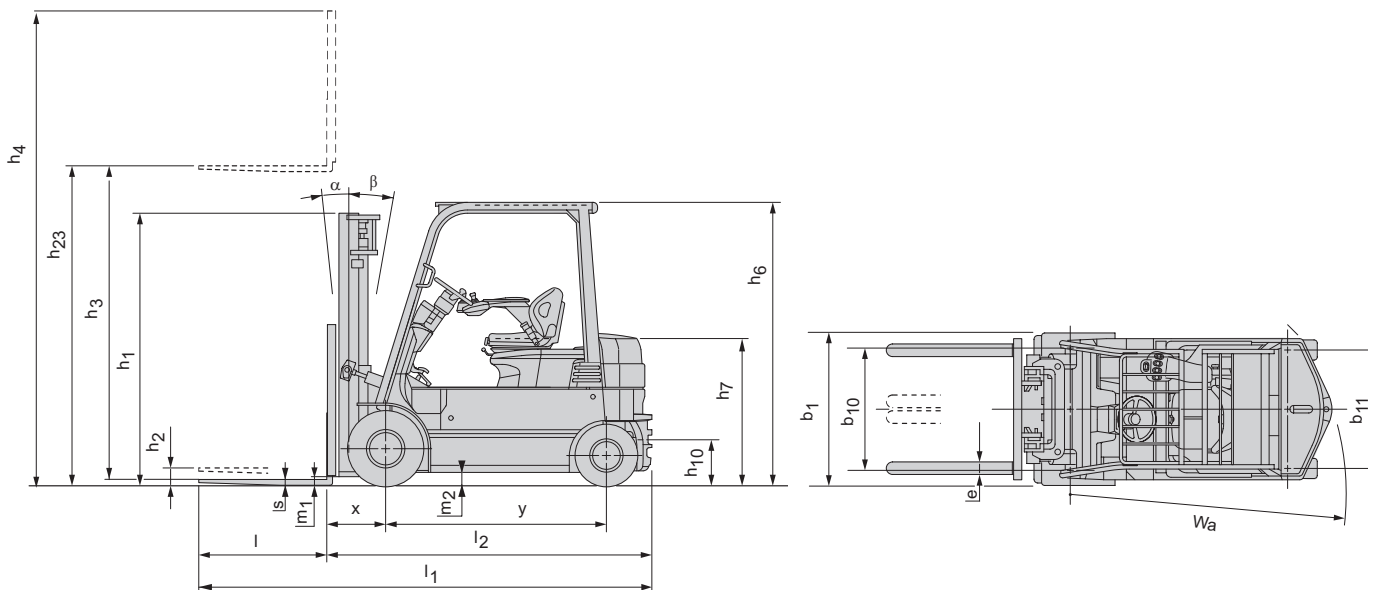
2) With load backrest; Height of standard load backrest is 1220 mm.

Data in [] are for when "A4 piping" is selected.

Single Tyre (STD Tread)			V								FV					FSV							
7FBMF30	Tilt range, forward	deg	6	6	6	6	6	6	6	6	6	6	6	6	6	6	6	6	6	6	6	6	
	Tilt range, backward	deg	10(6)	10(6)	10(6)	10(6)	10(6)	6	6	10(6)	10(6)	10(6)	10(6)	10(6)	6	6	6	6	6	6	6	6	
	Load capacity at 500 mm LC	kg	3000	3000	3000	3000	3000	2960	3000	3000	3000	3000	3000	3000	3000	3000	2930	2880	2670	2160	1800		
7FBMF35	Tilt range, forward	deg	6	6	6	6	6	6	6	—	—	—	—	—	6	6	6	6	6	6	6	6	
	Tilt range, backward	deg	10(6)	10(6)	10(6)	10(6)	10(6)	6	6	—	—	—	—	—	6	6	6	6	6	6	6	6	
	Load capacity at 500 mm LC	kg	3500	3500	3500	3500	3500	3310	—	—	—	—	—	3500	3500	3500	3500	3440	3320	2790	2250		

Single Tyre (Wide Tread)			V								FV					FSV							
7FBMF30	Tilt range, forward	deg	6	6	6	6	6	6	6	6	6	6	6	6	6	6	6	6	6	6	6	6	
	Tilt range, backward	deg	10(6)	10(6)	10(6)	10(6)	10(6)	6	6	10(6)	10(6)	10(6)	10(6)	10(6)	6	6	6	6	6	6	6	6	
	Load capacity at 500 mm LC	kg	3000	3000	3000	3000	3000	2960	3000	3000	3000	3000	3000	3000	3000	3000	2930	2880	2780	2630	2250		
7FBMF35	Tilt range, forward	deg	6	6	6	6	6	6	6	—	—	—	—	—	6	6	6	6	6	6	6	6	
	Tilt range, backward	deg	10(6)	10(6)	10(6)	10(6)	10(6)	6	6	—	—	—	—	—	6	6	6	6	6	6	6	6	
	Load capacity at 500 mm LC	kg	3500	3500	3500	3500	3500	3500	—	—	—	—	—	3500	3500	3500	3500	3500	3400	3220	2400		

Data in () are for when "Cabin Series" is selected (minimum front windshield).



Electric powered forklift 4.0-4.5 ton

Truck specifications					7FBMF40	7FBMF45
Identification	1.1	Manufacturer			Toyota	Toyota
	1.2	Model			7FBMF40	7FBMF45
	1.3	Drive			Electric	Electric
	1.4	Operator type			Rider seated	Rider seated
	1.5	Load capacity/rated load	Q	kg	4000	4500
	1.6	Load centre	c	mm	500	500
	1.8	Load distance, centre of drive axle to fork	x	mm	520	520
	1.9	Wheelbase	y	mm	2080	2080
	Weight	2.1	Service weight			6481
2.2		Axle load, with load, front/rear			9520/1030	10250/1150
2.3		Axle load, without load, front/rear			3550/3000	3530/3370
Tyres	3.1	Tyre - pneumatic (P), pneumatic shaped cushion (SE), solid rubber (R)			SE	SE
	3.2	Tyre size, front			250-15	250-15
	3.3	Tyre size, rear			7.00-12	7.00-12
	3.5	Wheels, number front/rear (x=driven wheels)			2x/2	2x/2
	3.6	Track width, front	b ₁₀	mm	1120	1120
	3.7	Track width, rear	b ₁₁	mm	1090	1090
	Dimensions	4.1	Tilt of mast/fork carriage forward/backward	α/β	deg	7/12
4.2		Height, mast lowered	h ₁	mm	2290	2290
4.3		Free lift	h ₂	mm	110	110
4.4		Lift	h ₃	mm	3250	3250
		Lift height	h ₂₃	mm	3300	3300
4.5		Height, mast extended	h ₄	mm	4520	4520
4.7		Height of overhead guard (cab)	h ₆	mm	2310	2310
4.8		Seat height	h ₇	mm	1200	1200
4.12		Coupling height	h ₁₀	mm	505	505
4.19		Overall length	l ₁	mm	4020	4020
4.20		Length to face of forks	l ₂	mm	3020	3020
4.21		Overall width	b ₁	mm	1345	1345
4.22		Fork dimensions	s/e/l	mm	50/150/1000	50/150/1000
4.23		Fork carriage DIN 15 173, class/type A, B			IIIA	IIIA
4.24		Fork-carriage width	b ₃	mm	1170	1170
4.31		Ground clearance, with load, below mast	m ₁	mm	120	120
4.32		Ground clearance, centre of wheelbase	m ₂	mm	145	145
4.33		Aisle width for pallets 1000 x 1200 crossways	A _{st}	mm	4400	4400
4.34		Aisle width for pallets 800 x 1200 lengthways	A _{st}	mm	4600	4600
4.35		Turning radius	W _a	mm	2680	2680
4.36	Internal turning radius	b ₁₃	mm	882,5	882,5	
Performance data	5.1	Travel speed, with/without load		km/h	14,0/16,0	14,0/16,0
	5.2	Lift speed, with/without load		m/s	0,33/0,51	0,30/0,51
	5.3	Lowering speed, with/without load		m/s	0,50/0,50	0,50/0,50
	5.5	Drawbar pull, with/without load		N	15200/15300	15100/15300
	5.6	Max. drawbar pull, with/without load		N	18900/18900	18900/18800
	5.7	Gradeability, with/without load		%	19/31	17/29
	5.8	Max. gradeability, with/without load		%	19/31	17/29
	5.10	Service brake			Hydraulic	Hydraulic
Motor	6.1	Drive motor rating S2 60 min		kW	16,6	16,6
	6.2	Lift motor rating S3 15%		kW	25,4	25,4
	6.3	Battery acc. to DIN 43 531/35/36 A, B, C, no			43 536A	43 536A
	6.4	Battery voltage, nominal capacity K5		V/Ah	80/700	80/700
	6.5	Battery weight		kg	1971	1971
Others	8.1	Type of drive control			Transistor inverter	Transistor inverter
	8.2	Operating pressure for attachments		bar	185	185
	8.3	Oil volume for attachments		l/min	58	58
	8.4	Sound level at the driver's ear according to EN 12 053		dB(A)	73	73

Performance data and dimensions are nominal and subject to tolerances.

Specifications are subject to change without notice.

Please obtain the latest specifications before contracting products.

Master dimensions and rated capacities

7FBMF

Model			V					FV					FSV							
7FBMF40/45	Lift height	h_{23}	3300	3500	3700	4000	4500	5000	3000	3300	3500	3700	4000	3700	4000	4300	4700	5000	5500	6000
	Lift	h_3	3250	3450	3650	3950	4450	4950	2950	3250	3450	3650	3950	3650	3950	4250	4650	4950	5450	5950
	Height, mast lowered	h_1	2290	2390	2490	2740	2990	3240	2110	2290	2390	2490	2740	1890	1990	2110	2290	2390	2540	2740
	Height, mast extended ¹⁾	h_4	4100	4300	4500	4800	5300	5800	3830	4130	4330	4530	4830	4530	4830	5130	5530	5830	6330	6830
	Height, mast extended ²⁾	h_4	4520	4720	4920	5220	5720	6220	4220	4520	4720	4920	5220	4920	5220	5520	5920	6220	6720	7220
	Free lift, without load backrest	h_2	110	110	110	110	110	110	1280	1460	1560	1660	1910	1060	1160	1280	1460	1560	1710	1910
	Free lift, with load backrest	h_2	110	110	110	110	110	110	890	1070	1170	1270	1520	670	770	890	1070	1170	1320	1520

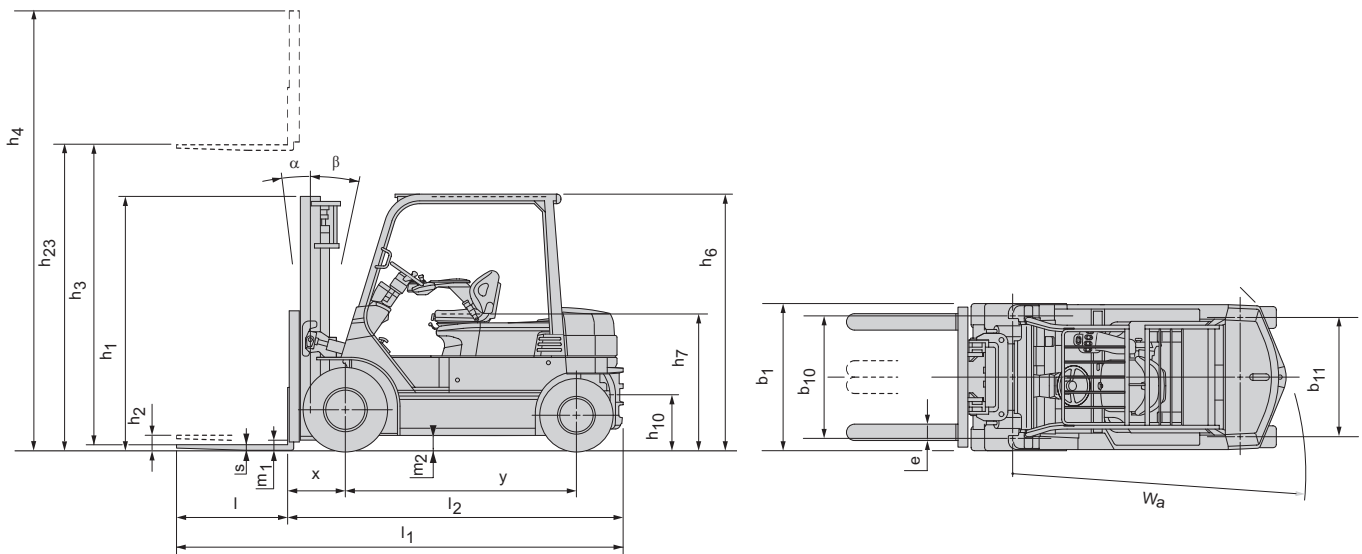
1) Without load backrest.

2) With load backrest; Height of standard load backrest is 1220 mm.

Single Tyre			V					FV					FSV							
7FBMF40	Tilt range, forward	deg	7	7	7	7	7	7	7	7	7	7	7	7	7	7	7	7	7	7
	Tilt range, backward	deg	12(6)	12(6)	12(6)	12(6)	6	6	12(6)	12(6)	12(6)	12(6)	12(6)	6	6	6	6	6	6	6
	Load capacity at 500 mm LC	kg	4000	4000	4000	4000	4000	4000	4000	4000	4000	4000	4000	4000	4000	4000	4000	4000	3850	3420
7FBMF45	Tilt range, forward	deg	7	7	7	7	7	7	7	7	7	7	7	7	7	7	7	7	7	7
	Tilt range, backward	deg	12(6)	12(6)	12(6)	12(6)	6	6	12(6)	12(6)	12(6)	12(6)	12(6)	6	6	6	6	6	6	6
	Load capacity at 500 mm LC	kg	4500	4500	4500	4500	4500	4500	4500	4500	4500	4500	4500	4500	4500	4500	4500	4470	4340	4210

Dual Tyre			V					FV					FSV							
7FBMF40	Tilt range, forward	deg	7	7	7	7	7	7	7	7	7	7	7	7	7	7	7	7	7	7
	Tilt range, backward	deg	12(6)	12(6)	12(6)	12(6)	12(6)	12(6)	12(6)	12(6)	12(6)	12(6)	12(6)	6	6	6	6	6	6	6
	Load capacity at 500 mm LC	kg	4000	4000	4000	4000	4000	4000	4000	4000	4000	4000	4000	4000	4000	4000	4000	4000	3850	3710
7FBMF45	Tilt range, forward	deg	7	7	7	7	7	7	7	7	7	7	7	7	7	7	7	7	7	7
	Tilt range, backward	deg	12(6)	12(6)	12(6)	12(6)	12(6)	12(6)	12(6)	12(6)	12(6)	12(6)	12(6)	6	6	6	6	6	6	6
	Load capacity at 500 mm LC	kg	4500	4500	4500	4500	4500	4500	4500	4500	4500	4500	4500	4500	4500	4500	4500	4470	4340	4210

Data in () are for when "Cabin Series" is selected (minimum front windshield).



Electric powered forklift 5.0 ton

Truck specifications					7FBMF50
Identification	1.1	Manufacturer			Toyota
	1.2	Model			7FBMF50
	1.3	Drive			Electric
	1.4	Operator type			Rider seated
	1.5	Load capacity/rated load	Q	kg	4990
	1.6	Load centre	c	mm	500
	1.8	Load distance, centre of drive axle to fork	x	mm	580
	1.9	Wheelbase	y	mm	2080
	Weight	2.1	Service weight		
2.2		Axle load, with load, front/rear			11350/1300
2.3		Axle load, without load, front/rear			3770/3880
Tyres	3.1	Tyre - pneumatic (P), pneumatic shaped cushion (SE), solid rubber (R)			SE
	3.2	Tyre size, front			28x12.5-15
	3.3	Tyre size, rear			7.00-12
	3.5	Wheels, number front/rear (x=driven wheels)			2x/2
	3.6	Track width, front	b ₁₀	mm	1150
	3.7	Track width, rear	b ₁₁	mm	1090
	Dimensions	4.1	Tilt of mast/fork carriage forward/backward	α/β	deg
4.2		Height, mast lowered	h ₁	mm	2350
4.3		Free lift	h ₂	mm	120
4.4		Lift	h ₃	mm	3240
		Lift height	h ₂₃	mm	3300
4.5		Height, mast extended	h ₄	mm	4520
4.7		Height of overhead guard (cab)	h ₆	mm	2310
4.8		Seat height	h ₇	mm	1200
4.12		Coupling height	h ₁₀	mm	508
4.19		Overall length	l ₁	mm	4150
4.20		Length to face of forks	l ₂	mm	3150
4.21		Overall width	b ₁	mm	1440
4.22		Fork dimensions	s/e/l	mm	60/150/1000
4.23		Fork carriage DIN 15 173, class/type A, B			IIIA
4.24		Fork-carriage width	b ₃	mm	1170
4.31		Ground clearance, with load, below mast	m ₁	mm	120
4.32		Ground clearance, centre of wheelbase	m ₂	mm	145
4.33		Aisle width for pallets 1000 x 1200 crossways	A _{st}	mm	4520
4.34	Aisle width for pallets 800 x 1200 lengthways	A _{st}	mm	4720	
4.35	Turning radius	W _a	mm	2740	
4.36	Internal turning radius	b ₁₃	mm	880	
Performance data	5.1	Travel speed, with/without load		km/h	13,0/15,0
	5.2	Lift speed, with/without load		m/s	0,27/0,41
	5.3	Lowering speed, with/without load		m/s	0,50/0,50
	5.5	Drawbar pull, with/without load		N	14300/14500
	5.6	Max. drawbar pull, with/without load		N	18000/18000
	5.7	Gradeability, with/without load		%	15/25
	5.8	Max. gradeability, with/without load		%	15/25
	5.10	Service brake			Hydraulic
Motor	6.1	Drive motor rating S2 60 min		kW	16,6
	6.2	Lift motor rating S3 15%		kW	25,4
	6.3	Battery acc. to DIN 43 531/35/36 A, B, C, no			43 536A
	6.4	Battery voltage, nominal capacity K5		V/Ah	80/700
	6.5	Battery weight		kg	1971
Others	8.1	Type of drive control			Transistor inverter
	8.2	Operating pressure for attachments		bar	185
	8.3	Oil volume for attachments		l/min	58
	8.4	Sound level at the driver's ear according to EN 12 053		dB(A)	73

Performance data and dimensions are nominal and subject to tolerances.

Specifications are subject to change without notice.

Please obtain the latest specifications before contracting products.

Master dimensions and rated capacities

7FBMF

Model			V						FSV						
7FBMF50	Lift height	h_{23}	3300	3500	3700	4000	4500	5000	3700	4000	4300	4700	5000	5500	6000
	Lift	h_3	3240	3440	3640	3940	4440	4940	3640	3940	4240	4640	4940	5440	5940
	Height, mast lowered	h_1	2350	2450	2600	2800	3050	3300	2050	2120	2200	2350	2450	2600	2800
	Height, mast extended ¹⁾	h_4	3965	4165	4365	4665	5165	5665	4395	4695	4995	5395	5695	6195	6695
	Height, mast extended ²⁾	h_4	4520	4720	4920	5220	5720	6220	4920	5220	5520	5920	6220	6720	7220
	Free lift, without load backrest	h_2	120	120	120	120	120	120	1355	1425	1505	1655	1755	1905	2105
	Free lift, with load backrest	h_2	120	120	120	120	120	120	845	915	995	1145	1245	1395	1595

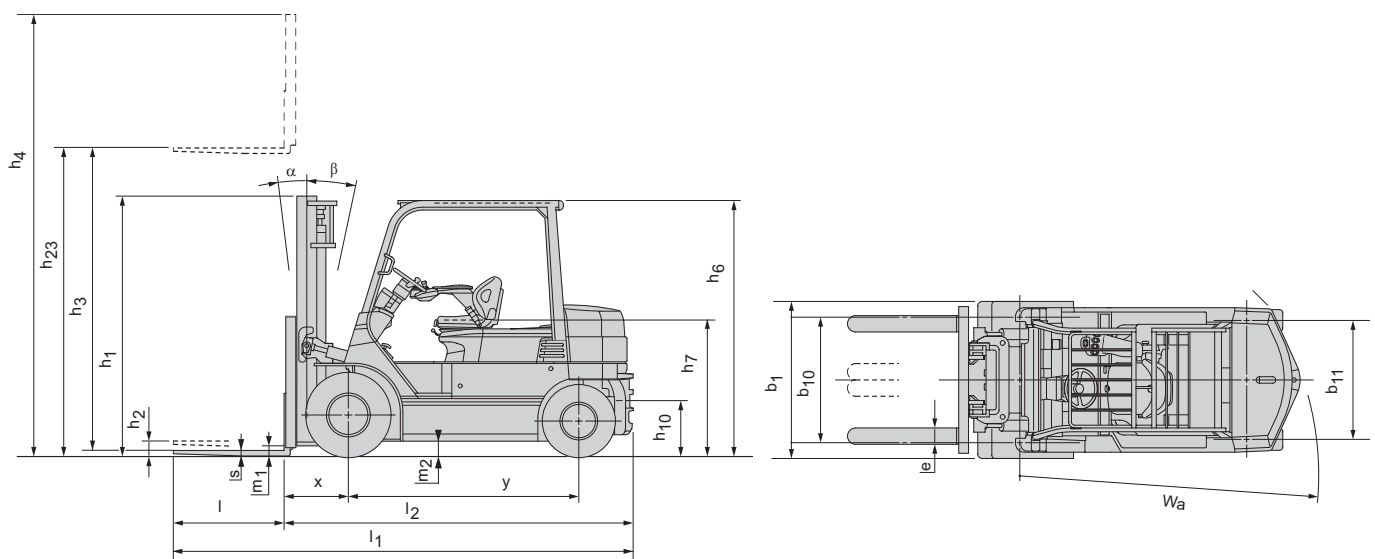
1) Without load backrest.

2) With load backrest; Height of standard load backrest is 1220 mm.

Single Tyre			V						FSV						
7FBMF50	Tilt range, forward	deg	7	7	7	7	7	7	7	7	7	7	7	7	7
	Tilt range, backward	deg	12(6)	12(6)	12(6)	12(6)	6	6	6	6	6	6	6	6	6
	Load capacity at 500 mm LC ²⁾	kg	4990	4990	4990	4990	4990	4990	4990	4990	4990	4970	4890	4750	4600

Dual Tyre			V						FSV						
7FBMF50	Tilt range, forward	deg	7	7	7	7	7	7	7	7	7	7	7	7	7
	Tilt range, backward	deg	12(6)	12(6)	12(6)	12(6)	12(6)	12(6)	6	6	6	6	6	6	6
	Load capacity at 500 mm LC ²⁾	kg	4990	4990	4990	4990	4990	4990	4990	4990	4990	4970	4890	4750	4600

Data in () are for when "Cabin Series" is selected (minimum front windshield).



Standard equipments:

- Toyota SAS (System of Active Stability)
- Toyota AC² power system
- Toyota OPS (Operator Presence Sensing)
- Toyota ORS seat (Operator Restraint System)
- Seat mounted hydraulic minilevers
- Wide visible mast (MFH: 3300 mm)
- Load backrest (Height: 1220 mm)
- Long forks [Length: 800 mm (7FBMF16.18); 1000 mm (7FBMF20.25.30.35.40.45.50)]
- Long forkbar [Length: 920 mm (7FBMF16.18); 1020 mm (7FBMF20.25); 1070 mm (7FBMF30.35); 1170 mm (7FBMF40.45.50)]
- 3-way valve
- Wet disc brakes
- Stop on ramp
- Pneumatic shaped cushion tyres
- Full hydraulic power steering
- Digital multifunction display
- Memory tilt steering column
- Emergency lever



TP-Technical Publications, Sweden — 745554-040, version 2, 0912 — 7FBMF/7FBMF-S