

Models:

GDP/GLP 20,25,30,35 VX

Yale Veracitor™ VX Series

This series of trucks is available in three configurations.

The Veracitor™ Base truck offers first-rate performance for standard-duty applications and is geared to minimise cost of acquisition without compromising performance.

The Veracitor™ Value truck provides excellent performance for standard and medium-duty applications and is optimised for lowest hourly cost of operation.

The Veracitor™ Productivity truck delivers maximum performance for medium to heavy-duty applications with state-of-the-art features and industry leading power.

Engines

Engines feature a rigid cast iron block and main bearing caps.

Hydraulic valve lifters eliminate the need for manual adjustment. All engines include hardened exhaust valve seats. The GM engine features hardened intake and exhaust valve seats with stellite coated valves for superior durability. All engines are Tier 2 emissions compliant and feature closed loop emissions regulation systems that continually monitor exhaust and adjust fuel/air mix. The GM engine also features an electronic throttle for precise performance and control.

Fuel System

The Mazda LPG engine uses a single barrel carburetor with an LPG injector and a regulator/vaporizer. The Engine Control Unit controls the LPG injector fueling, and the carburetor and the regulator are not adjustable. The GM LPG use sequential port fuel injection, vaporiser/ regulator to convert fuel from a liquid to a gas for vapor injection. The Engine Control Unit(ECU) electronically controls the fuel/air mix, and spark advance to provide the necessary torque. The ECU inputs include manifold air pressure and air temperature, engine coolant temperature, accelerator pedal position, throttle position, engine speed, cam signal, and oxygen sensor signal.

The Yanmar fuel system has an Electro-mechanical controlled throttle providing excellent response time. Super quick glow plugs allow the engine to start quickly and reliably under cold conditions.

The cold start device delivers a cleaner exhaust under cold conditions by advancing the fuel injection timing based on water temperature. Emissions have been reduced by controlling fuel injection timing according to engine load.

Transmission

Three transmission selections are available with multiple engine configurations that will handle a wide variety of material handling applications.

1) Standard Electronic features electronic inching, electric shift control, neutral start switch, and anti-restart protection and heavy duty clutch packs.

A single pedal controls both inching and braking. Optional dual inch/brake pedals are available for operators who prefer this design. A 100 mesh suction and a 10 micron return line filtration protect the transmission from abrasive contaminants.

2) The Techtronix 100 has all the Standard Electronic features plus Auto Deceleration through the controlled application of clutch packs, reduces tyre spin by precisely regulating engine speed during controlled power reversals.

3) The Techtronix 200 includes the Techtronix 100 features, plus Auto Speed Hydraulics with Automatic Inching Control. This feature automatically increases engine RPM as hydraulic functions are actuated, while maintaining control over vehicle speed. The throttle response management feature provides travel speed as a direct result of pedal position, improving truck control.

Cooling System

The cooling system employs a 43cm blade pusher-type fan. A permanently lubricated water pump and a high capacity, cross-flow radiator ensure rapid heat dissipation. The sealed cooling system operates at a pressure of 15 psi, the coolant recovery tank allows visual inspection of coolant level. Transmission oil cooler is integrated into the radiator and is located in the side tank. The optional combicooler radiator features an externally mounted transmission oil cooler for increased heat transfer capability. All radiators are softmounted for durability.

Drive Axle

The drive axles are designed to withstand heavy-duty applications and absorb shock loads.

The wheel hubs rotate on large tapered roller bearings. The drive shaft transmits torsion to the drive axle from the engine and transmission.

Transmission torque occurs through an industrial hypoid ring gear and pinion differential assembly.

The drive axle is a "self contained" assembly isolated from the transmission by a heavy-duty rubber isolator. The axle shafts utilize a "rolled fillet" root spline design for increased resistance to torsion stress. A magnetic sump plug collects any metal particles circulating in the axle oil to prevent component wear.

Brakes

Brakes are duo-servo hydraulic, self-energizing, and automatic adjusting drum brake assemblies. Asbestos-free brake linings are bonded to steel shoes and act against a cast iron drum. Single

circuit master cylinder has sealed fluid reservoir and features a fluid level sensor which activates an indicator light located on the instrument panel.

Hydraulic Power Steering

Hydrostatic steering provides responsive control and eliminates mechanical linkages for reduced surface shock and simplified maintenance. The steering wheel is 30cm in diameter with a textured surface grip and spinner knob, and requires only four turns lock-to-lock. The centre mounted steer cylinder is located within the confines of the steer axle for protection.

Steer Axle

Constructed from cast steel, the steer axle is rubber shock mounted to the frame for reduced wear and vibration. The CSE (Continuous Stability Enhancement) system enhances lateral truck stability through reduced steer axle articulation, while simultaneously allowing uncompromised uneven surface travel.

Operator's Compartment

Base truck features cowl mounted hydraulic control levers positioned on the right side of the steering column.

Value and Productivity trucks feature Accutouch or Palmtech electrohydraulic controls integrated into the operator's right-side armrest for superior ergonomic actuation.

Automotive-style pedal arrangement with a large, single inch/brake pedal is standard.

Intellix Vehicle System Management (VSM)

VSM acts as a master truck controller, providing extensive monitoring and control of truck functions and systems.

CANbus technology reduces wiring complexity and enables communications between truck systems. The ergonomically positioned dash display transmits continual feedback to the operator and allows communication of service codes. On-board diagnostics enable quick and easy troubleshooting. The electrical system features sealed connectors and Hall Effect sensors for superior dependability.

Hydraulic System

Hydraulic system incorporates a gear type pump, cast iron body for quiet efficiency. System is protected from overloads by a main relief valve for the lift circuit and secondary relief valve for tilt and auxiliary functions. Oil is double filtered through a 100 mesh suction line strainer and 10 micron return line filter. Hydraulic tank is integrated into the frame.

For Accutouch or Palmtech joystick electrohydraulic controls, an emergency lowering valve is provided to allow the load to be lowered in the event of power loss. O-ring face seal fittings are used in all high pressure hydraulic connections.



Yale Europe Materials Handling
Flagship House, Reading Road North,
Fleet, Hampshire GU51 4WD, United Kingdom.
Tel: + 44 (0) 1252 770700 Fax: + 44 (0) 1252 770784
www.yale-europe.com



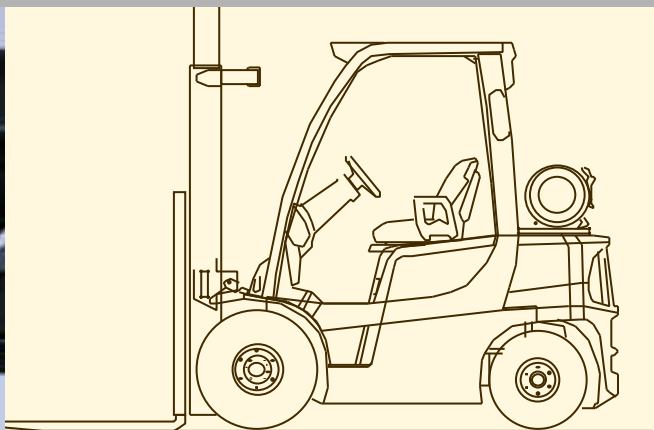
Safety. This truck conforms to the current EU requirements. Specification is subject to change without notice

Yale is a registered trade mark.
Publication part no. 29000120 Rev.00 - Preliminary

Printed in The United Kingdom (05050.3HG) EN
© Yale Europe Materials Handling 2004. All rights reserved.

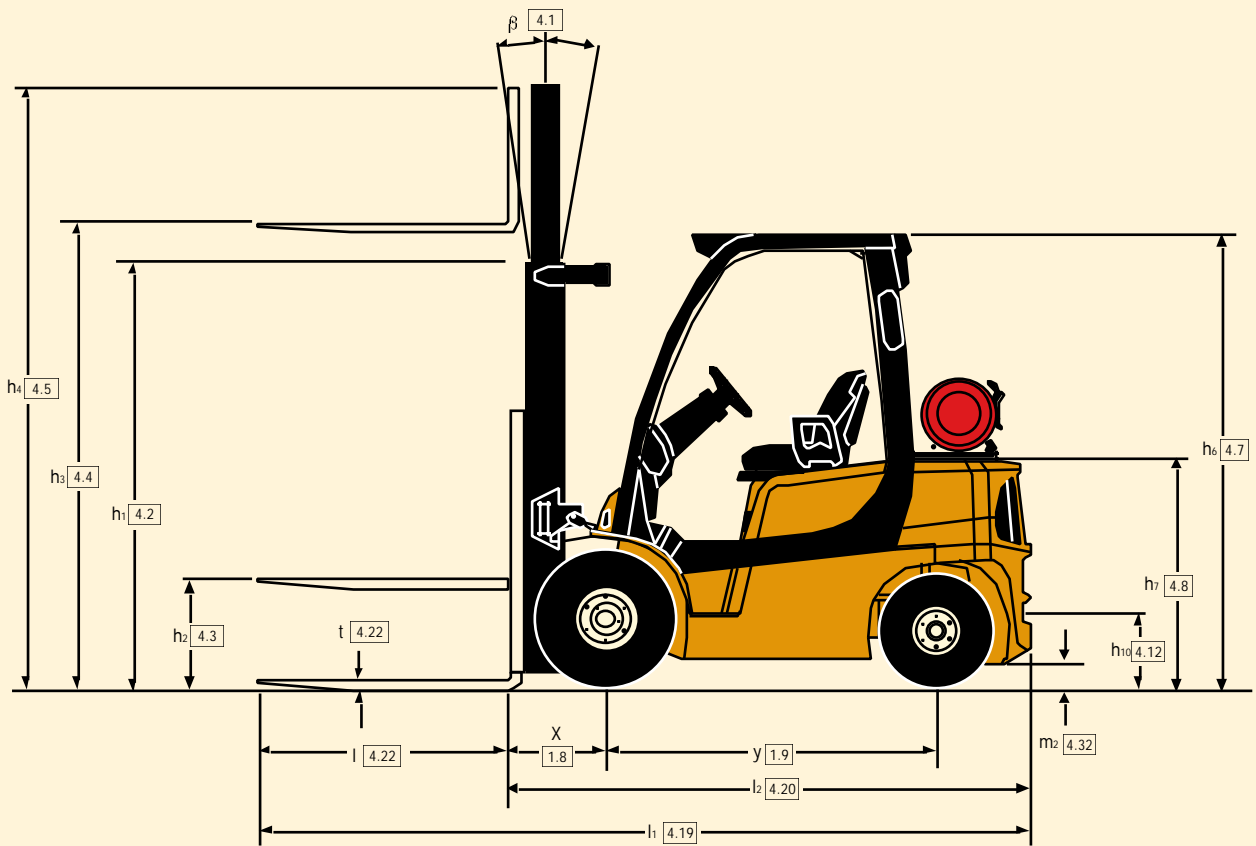
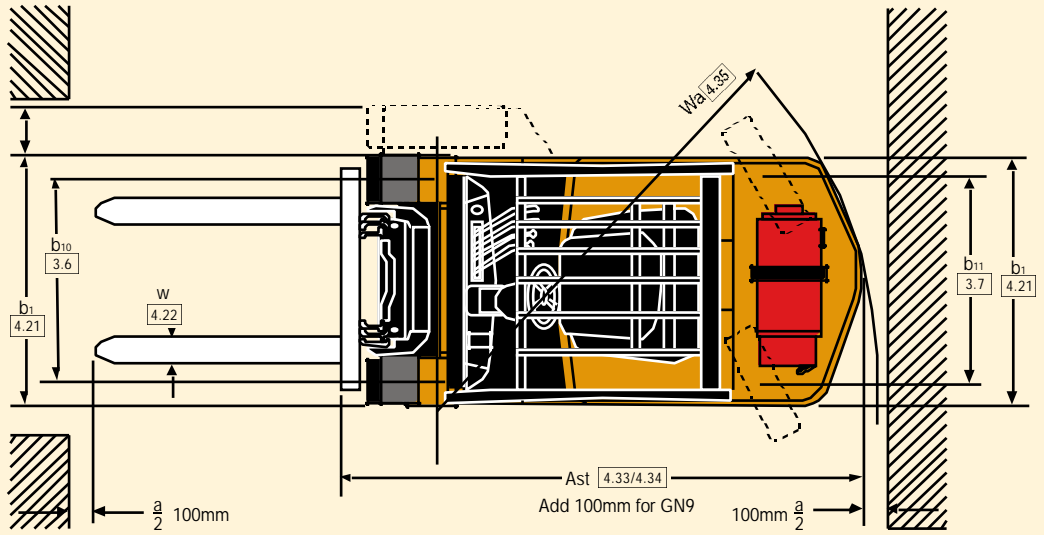
Truck shown with optional equipment

Veracitor VX Series
Diesel and LP Gas Forklift Trucks
2,000kg, 2,500kg, 3,000kg and 3,500kg



- CANbus technology
- Available with Supercushion and Pneumatic tyres
- 3 Techtronix transmissions
- Accutouch minilevers and Palmtech joystick available

Truck Dimensions



Mast details and capacity ratings (kg) - Supercushion tyres

Model		GLP/GDP20VX										GLP/GDP25VX						
Tyres		7.00 x 12										7.00 x 12						
Width across tyres		1157mm										1157mm						
Mast	OAH	FFH	MFH	h4	Tilt		Forks			Integral Sideshift			Forks			Integral Sideshift		
					h1	h2+s	h3+s	F	B	500	600	700	500	600	700	500	600	700
							LC	LC	LC	LC	LC	LC	LC	LC	LC	LC	LC	LC
2-Stg. LFL (V)	2170	140	3290	4515	6	5	2000	1920	1760	2000	1840	1690	2500	2380	2180	2500	2280	2100
	2420	140	3790	5015	6	5	2000	1910	1750	2000	1830	1680	2500	2370	2170	2500	2280	2090
	2770	140	4330	5555	6	5	2000	1900	1730	2000	1820	1670	2500	2350	2150	2480	2260	2070
2-Stg. FFL (F)	2170	1575	3300	4525	6	5	2000	1920	1760	2000	1850	1690	2500	2380	2180	2500	2290	2100
3-Stg. FFL (E)	1970	1400	4350	5570	6	5	2000	1880	1720	1980	1800	1650	2500	2380	2180	2500	2280	2090
	2170	1590	4950	6170	6	5	1880	1770	1610	1860	1680	1540	2380	2240	2060	2380	2150	1970
	2420	1840	5550	6770	6	5	1770	1630	1500	1720	1560	1430	2240**	2110**	1930**	2220**	2020**	1860**

** With wide tread drive tyres (1317mm width) or dual drive tyres (1601mm width)- must be specified

Mast details and capacity ratings (kg) - Supercushion tyres

Model		GLP/GDP30VX										GLP/GDP35VX						
Tyres		7.00 x 12										7.00 x 12						
Width across tyres		1186mm										1186mm						
Mast	OAH	FFH	MFH	h4	Tilt		Forks			Integral Sideshift			Forks			Integral Sideshift		
					h1	h2+s	h3+s	F	B	500	600	700	500	600	700	500	600	700
							LC	LC	LC	LC	LC	LC	LC	LC	LC	LC	LC	LC
2-Stg. LFL (V)	2195	150	3105	4330	6	5	3000	2820	2580	2960	2700	2480	3500	3310	3030	3490	3180	2910
	2445	150	3605	4830	6	5	3000	2810	2570	2950	2690	2470	3500	3300	3020	3480	3170	2910
	2795	150	4105	5330	6	5	3000	2790	2560	2930	2670	2450	3500	3280	3010	3460	3150	2890
2-Stg. FFL (F)	2195	1500	3110	4335	6	5	3000	2820	2580	2960	2700	2480	3500	3310	3030	3490	3170	2910
3-Stg. FFL (E)	1995	1355	4015	5240	6	5	3000	2800	2560	2930	2670	2450	3500	3290	3010	3450	3150	2890
	2195	1600	4615	5840	6	5	2900	2700	2470	2830	2590	2360	3400	3200	2930	3360	3040	2790
	2345	1705	4915	6140	6	5	2830	2630	2400	2740	2520	2310	3330‡	3110‡	2860‡	3270‡	2970‡	2720‡
	2445	1805	5215	6440	6	5	2740	2560	2340	2680	2450	2240	3240‡	3040‡	2770‡	3170‡	2900‡	2650‡

‡ With wide tread drive tyres (1321mm width) or dual drive tyres (1601mm width) - must be specified.
Height h2 without load backrest.

Masts

A full range of Yale Hi-Vis 2 stg LFL and 2 and 3 stage FFL masts are available.

Yale hi-vis masts are designed for maximum visibility, with widely spaced channels, lift chains and main lift cylinders.

Options

- Powertrain protection system
- Premium monitoring package
- High air intake with pre-cleaner
- Accumulator
- Keyless start (w/auxiliary key switch)
- Traction speed limiter
- Heavy-duty "Combi Cooler" radiator
- Swing-out, drop-down EZ-Tank Bracket
- Return-to-set tilt
- Swivel full suspension seat
- Foot Directional Control
- Operator password
- Mirrors - dual side view
- Alarm-Reverse
- Amber Strobe Light - Continuous Activated

Engine Specifications

Yanmar TNE series - Diesel

Base, Value, Productivity

Cylinder 4 Overhead Valve
 Displacement 2.6 litre
 Torque 146Nm @ 2600 RPM
 Kw 36 @ 2600 RPM
 Air Filtration Two Stage, Dry Type
 DI fuel injection system

Yanmar TNE series - Diesel

Cylinder 4 Overhead Valve
 Displacement 2.6 and 3.3 litre
 Torque 146 and 210Nm @ 2700 RPM
 Kw 36 and 48 @ 2700 RPM

Mazda FE - LPG - Base

Cylinder 4 Camshaft Overhead Valve
 Displacement 2.0 litre
 Torque 111Nm @ 2600 RPM
 Kw 31 @ 2600 RPM

Air Filtration Two Stage, Dry Type

Emission Control Closed loop

Mazda F2 - LPG - Value

Cylinder 4 Camshaft Overhead Valve
 Displacement 2.2 litre
 Torque 127Nm @ 2600 RPM
 Kw 35 @ 2600 RPM

Air Filtration Two Stage, Dry Type

Emission Control Closed loop

GM - LPG - Productivity

Cylinder 4 Camshaft Overhead Valve
 Displacement 2.4 litre
 Torque 167Nm @ 2600 RPM
 Kw 45 @ 2600 RPM

Air Filtration Two Stage, Dry Type

Emission Control Closed loop

VDI 2198 - General Specifications, Diesel powered

		Yale					
Characteristics	1.1	Manufacturer	GDP 20 VX				
	1.2	Model designation	Yanmar 2.6L Standard Electronic				
		Power Train - Engine Transmission	Yanmar 2.6L Standard Electronic	Yanmar 2.6L Standard Electronic	Yanmar 2.6L Standard Electronic	Yanmar 2.6L Standard Electronic	
		Model - Manufacturer Designation	Base	Value	Productivity	Base	
	1.3	Drive: Diesel, LPG	Diesel	Diesel	Diesel	Diesel	
	1.4	Operation: Seated rider	Seated Rider	Seated Rider	Seated Rider	Seated Rider	
	1.5	Load capacity	Q (kg)	2000	2000	2000	2500
	1.6	Load centre	c (mm)	500	500	500	500
	1.8	Load distance	x (mm)	471	471	471	471
1.9	Wheelbase	y (mm)	1623	1623	1623	1623	
Weights	2.1	Unladen weight	kg	3586	3586	3586	3932
	2.2	Axle loading laden, front/rear	kg	4806 / 595	4806 / 595	4806 / 595	5501 / 699
	2.3	Axle loading unladen, front/rear	kg	1783 / 1802	1783 / 1802	1783 / 1802	1783 / 2209
Wheels & Tyres	3.1	Tyres: P=pneumatic, C=cushion, SC=supercushion		SC	SC	SC	SC
	3.2	Tyre size-front		7.00 X 12 - 12	7.00 X 12 - 12	7.00 X 12 - 12	7.00 X 12 - 12
	3.3	Tyre size-rear		6.00 X 9	6.00 X 9	6.00 X 9	6.00 X 9
	3.5	Number of wheels, front/rear (X = driven)		2x / 2	2x / 2	2x / 2	2x / 2
	3.6	Track width, front	b10 (mm)	965	965	965	965
	3.7	Track width, rear	b11 (mm)	1142	1142	1142	1142
	Dimensions	4.1	Mast tilt, forward /back	degrees	6 / 5	6 / 5	6 / 5
4.2		Height of mast, lowered	h1 (mm)	2170	2170	2170	2170
4.3		Free lift ▼	h2 (mm)	140	140	140	140
4.4		Lift height ▼	h3 (mm)	3290	3290	3290	3290
4.5		Height of mast, extended +	h4 (mm)	3900	3900	3900	3900
4.7		Height to top of overhead guard ○	h6 (mm)	2160	2160	2160	2160
4.8		Seat height ✕	h7 (mm)	827	827	827	827
4.12		Towing coupling height	h10 (mm)	365	365	365	365
4.19		Overall length	l1 (mm)	3486	3486	3486	3559
4.20		Length to face of forks	l2 (mm)	2486	2486	2486	2559
4.21		Overall width, Std/Dual	b1/b2 (mm)	1157 / 1601	1157 / 1601	1157 / 1601	1157 / 1601
4.22		Fork dimensions	s/e/l (mm)	40 X 100 X 1000	40 X 100 X 1000	40 X 100 X 1000	40 X 100 X 1000
4.23		Fork carriage to DIN 15173. Class, A/B		II A	II A	II A	II A
4.24		Fork carriage width ▶	b3 (mm)	1067	1067	1067	1067
4.31		Ground clearance under mast, laden	m1 (mm)	107	107	107	107
4.32		Ground clearance at centre of wheelbase	m2 (mm)	160	160	160	160
4.33		Aisle width with pallets 1000 long x 1200 wide,	Ast (mm)	3919	3919	3919	3986
4.34		Aisle width with pallets 800 wide x 1200 long,	Ast (mm)	4056	4056	4056	4123
4.35		Outer turning radius	Wa (mm)	2149	2149	2149	2216
4.36		Inner turning radius	b13 (mm)	50	50	50	50
Performance		5.1	Travel speed laden/unladen	km/h	16.9 / 18.0	16.9 / 18.0	18.1 / 19.3
	5.2	Lifting speed laden/unladen	m/sec	0.67 / 0.68	0.67 / 0.68	0.70 / 0.71	0.66 / 0.67
	5.3	Lowering speed laden/unladen	m/sec	0.50 / 0.42	0.50 / 0.42	0.50 / 0.42	0.50 / 0.42
	5.5	Maximum drawbar pull laden/unladen,	N	20800 / 11600	20800 / 11600	21800 / 11600	19400 / 11400
		Drawbar pull laden/unladen, @ 1.6km/h	N	17400 / 11600	17400 / 11600	21800 / 11600	16400 / 11400
		Drawbar pull laden/unladen, @ 4.8km/h	N	11600 / 11800	11600 / 11800	20000 / 20900	11800 / 11100
	5.7	Gradeability laden/unladen, @ 1.6km/h	%	33.2 / 34.2	33.2 / 34.2	42.8 / 34.2	26.2 / 29.3
		Gradeability laden/unladen, @ 4.8km/h	%	21.3 / 34.2	21.3 / 34.2	39.0 / 34.2	21.0 / 29.3
	5.10	Service brake		Hydraulic	Hydraulic	Hydraulic	Hydraulic
	Motor	7.1	Engine manufacturer/type		Yanmar 4TNE92	Yanmar 4TNE92	Yanmar 4TNE98
7.2		Engine output, in accordance with ISO1585	kW	35.3	35.3	47.8	35.3
7.3		Governed speed	rpm	2700	2700	2700	2700
7.4		Number of cylinders/displacement	cm3	4 / 2659	4 / 2659	4 / 3319	4 / 2659
Other	8.1	Drive control		Hydrodynamic	Hydrodynamic	Hydrodynamic	Hydrodynamic
	8.2	Working pressure for attachments	bar	0 - 155	0 - 155	0 - 155	0 - 155
	8.3	Oil flow for attachments †	l/min	78	78	78	78
	8.4	Average noise level at operator's ear ★	dB(A)	-	-	-	-
		Guaranteed sound power 2001/14/EC		-	-	-	-
8.5	Towing coupling type		Pin	Pin	Pin	Pin	

★ L_{PAZ} measured according to the test cycles and based on the weighting values contained in EN12053, subject to final confirmation.

† Variable

▼ Top of forks

✕ Full suspension seat (FLS1500) specified

▶ Add 32mm with load backrest

○ h6 subject to +/- 5mm tolerance



Yale		Yale			Yale			1.1
GDP 25 VX		GDP 30 VX			GDP 35 VX			1.2
Yanmar 2.6L Standard Electronic	Yanmar 2.6L Standard Electronic	**Yanmar 3.3L Standard Electronic	Yanmar 3.3L Technonix 100	Yanmar 3.3L Technonix 200	Yanmar 3.3L Standard Electronic	Yanmar 3.3L Technonix 100	Yanmar 3.3L Technonix 200	
Value	Productivity	Base	Value	Productivity	Base	Value	Productivity	
Diesel	Diesel	Diesel	Diesel	Diesel	Diesel	Diesel	Diesel	1.3
Seated Rider	Seated Rider	Seated Rider	Seated Rider	Seated Rider	Seated Rider	Seated Rider	Seated Rider	1.4
2500	2500	3000	3000	3000	3500	3500	3500	1.5
500	500	500	500	500	500	500	500	1.6
471	471	478	478	478	478	478	478	1.8
1623	1623	1623	1623	1623	1700	1700	1700	1.9
3932	3932	4390	4390	4390	4703	4703	4703	2.1
5501 / 699	5501 / 699	6334 / 775	6334 / 775	6334 / 775	7013 / 866	7013 / 866	7013 / 866	2.2
1783 / 2209	1783 / 2209	1781 / 2608	1781 / 2608	1781 / 2608	1798 / 2905	1798 / 2905	1798 / 2905	2.3
SC	SC	SC	SC	SC	SC	SC	SC	3.1
7.00 X 12 - 12	7.00 X 12 - 12	28 X 9 - 15	28 X 9 - 15	28 X 9 - 15	28 X 9 - 15	28 X 9 - 15	28 X 9 - 15	3.2
6.00 X 9	6.00 X 9	6.50 X 9	6.50 X 9	6.50 X 9	6.50 X 10	6.50 X 10	6.50 X 10	3.3
2x / 2	2x / 2	2x / 2	2x / 2	2x / 2	2x / 2	2x / 2	2x / 2	3.5
965	965	965	965	965	965	965	965	3.6
1142	1142	1144	1144	1144	1144	1144	1144	3.7
6 / 5	6 / 5	6 / 5	6 / 5	6 / 5	6 / 5	6 / 5	6 / 5	4.1
2170	2170	2195	2195	2195	2195	2195	2195	4.2
140	140	150	150	150	150	150	150	4.3
3290	3290	3105	3105	3105	3105	3105	3105	4.4
3900	3900	3805	3805	3805	3805	3805	3805	4.5
2160	2160	2160	2160	2160	2185	2185	2185	4.7
827	827	827	827	827	827	827	827	4.8
365	365	365	365	365	390	390	390	4.12
3559	3559	3633	3633	3633	3734	3734	3734	4.19
2559	2559	2633	2633	2633	2734	2734	2734	4.20
1157 / 1601	1157 / 1601	1186 / 1601	1186 / 1601	1186 / 1601	1186 / 1601	1186 / 1601	1186 / 1601	4.21
40 X 100 X 1000	40 X 100 X 1000	50 X 125 X 1000	50 X 125 X 1000	50 X 125 X 1000	50 X 125 X 1000	50 X 125 X 1000	50 X 125 X 1000	4.22
II A	II A	III A	III A	III A	III A	III A	III A	4.23
1067	1067	1067	1067	1067	1067	1067	1067	4.24
107	107	132	132	132	132	132	132	4.31
160	160	160	160	160	185	185	185	4.32
3986	3986	4063	4063	4063	4165	4165	4165	4.33
4123	4123	4196	4196	4196	4293	4293	4293	4.34
2216	2216	2277	2277	2277	2380	2380	2380	4.35
50	50	25	25	25	54	54	54	4.36
18.0 / 19.2	22.2 / 23.6	19.6 / 20.7	19.6 / 20.7	22.3 / 23.6	19.6 / 20.8	19.6 / 20.8	22.2 / 23.7	5.1
0.66 / 0.67	0.70 / 0.71	0.61 / 0.62	0.61 / 0.62	0.61 / 0.62	0.61 / 0.62	0.61 / 0.62	0.61 / 0.62	5.2
0.50 / 0.42	0.50 / 0.42	0.50 / 0.42	0.50 / 0.42	0.50 / 0.42	0.50 / 0.42	0.50 / 0.42	0.50 / 0.42	5.3
19400 / 11400	21800 / 11400	24200 / 13200	24200 / 13200	21800 / 11700	24100 / 11700	24100 / 11700	21800 / 12600	5.5
16400 / 11400	21800 / 11400	21600 / 13200	21600 / 13200	21800 / 11700	21500 / 11700	21500 / 11700	21800 / 12600	
11800 / 11100	20900 / 19600	16200 / 16500	16200 / 16500	19600 / 19400	16500 / 16500	16500 / 16500	19100 / 19400	
26.2 / 29.3	35.4 / 29.3	30.3 / 30.2	30.3 / 30.2	30.4 / 26.6	30.5 / 26.6	30.5 / 26.6	27.3 / 26.9	5.7
21.0 / 29.3	33.8 / 29.3	23.0 / 30.2	23.0 / 30.2	26.1 / 26.6	20.2 / 26.6	20.2 / 26.6	24.0 / 26.9	
Hydraulic	Hydraulic	Hydraulic	Hydraulic	Hydraulic	Hydraulic	Hydraulic	Hydraulic	5.10
Yanmar 4TNE92	Yanmar 4TNE98	Yanmar 4TNE98	Yanmar 4TNE98	Yanmar 4TNE98	Yanmar 4TNE98	Yanmar 4TNE98	Yanmar 4TNE98	7.1
35.3	47.8	47.8	47.8	47.8	47.8	47.8	47.8	7.2
2700	2700	2700	2700	2700	2700	2700	2700	7.3
4 / 2659	4 / 3319	4 / 3319	4 / 3319	4 / 3319	4 / 3319	4 / 3319	4 / 3319	7.4
Hydrodynamic	Hydrodynamic	Hydrodynamic	Hydrodynamic	Hydrodynamic	Hydrodynamic	Hydrodynamic	Hydrodynamic	8.1
0 - 155	0 - 155	0 - 155	0 - 155	0 - 155	0 - 155	0 - 155	0 - 155	8.2
78	78	78	78	78	78	78	78	8.3
-	-	-	-	-	-	-	-	8.4
-	-	-	-	-	-	-	-	
Pin	Pin	Pin	Pin	Pin	Pin	Pin	Pin	8.5

Spec sheet truck based on (GDP 20 VX and GDP 25 VX): 3290mm of 2 stage LFL mast with standard carriage, 1000mm forks and e-hydraulics.

Spec sheet truck based on (GDP 30 VX and GDP 35 VX): 3105mm of 2 stage LFL mast with standard carriage, 1000mm forks and e-hydraulics.

Engine data based on maximum capacity displacement.

VDI 2198 - General Specifications, LPG powered

		Yale				
		GLP 20 VX				
		*Mazda 2.2L Standard Electronic	Mazda 2.2L Techtronix 100	GM 2.4L Techtronix 200	**Mazda 2.2L Standard Electronic	
		Base	Value	Productivity	Base	
Characteristics	1.1	Manufacturer				
	1.2	Model designation				
		Power Train - Engine Transmission				
		Model - Manufacturer Designation				
	1.3	Drive: Diesel, LPG	LPG	LPG	LPG	LPG
	1.4	Operation: Seated rider	Seated Rider	Seated Rider	Seated Rider	Seated Rider
	1.5	Load capacity	Q (kg)	2000	2000	2500
	1.6	Load centre	c (mm)	500	500	500
	1.8	Load distance	x (mm)	471	471	471
1.9	Wheelbase	y (mm)	1623	1623	1623	
Weights	2.1	Unladen weight	kg	3586	3586	3932
	2.2	Axle loading laden, front/rear	kg	4806 / 595	4806 / 595	5501 / 699
	2.3	Axle loading unladen, front/rear	kg	1783 / 1802	1783 / 1802	1783 / 2209
Wheels & Tyres	3.1	Tyres: P=pneumatic, C=cushion, SC=supercushion		SC	SC	SC
	3.2	Tyre size-front		7.00 X 12 - 12	7.00 X 12 - 12	7.00 X 12 - 12
	3.3	Tyre size-rear		6.00 X 9	6.00 X 9	6.00 X 9
	3.5	Number of wheels, front/rear (X = driven)		2x / 2	2x / 2	2x / 2
	3.6	Track width, front	b10 (mm)	965	965	965
	3.7	Track width, rear	b11 (mm)	1142	1142	1142
	Dimensions	4.1	Mast tilt, forward /back	degrees	6 / 5	6 / 5
4.2		Height of mast, lowered	h1 (mm)	2170	2170	2170
4.3		Free lift ▼	h2 (mm)	140	140	140
4.4		Lift height ▼	h3 (mm)	3290	3290	3290
4.5		Height of mast, extended +	h4 (mm)	3900	3900	3900
4.7		Height to top of overhead guard ○	h6 (mm)	2160	2160	2160
4.8		Seat height ✕	h7 (mm)	827	827	827
4.12		Towing coupling height	h10 (mm)	365	365	365
4.19		Overall length	l1 (mm)	3486	3486	3559
4.20		Length to face of forks	l2 (mm)	2486	2486	2559
4.21		Overall width, Std/Dual	b1/b2 (mm)	1157 / 1601	1157 / 1601	1157 / 1601
4.22		Fork dimensions	s/e/l (mm)	40 X 100 X 1000	40 X 100 X 1000	40 X 100 X 1000
4.23		Fork carriage to DIN 15173. Class, A/B		II A	II A	II A
4.24		Fork carriage width ▶	b3 (mm)	1067	1067	1067
4.31		Ground clearance under mast, laden	m1 (mm)	107	107	107
4.32		Ground clearance at centre of wheelbase	m2 (mm)	160	160	160
4.33		Aisle width with pallets 1000 long x 1200 wide,	Ast (mm)	3919	3919	3986
4.34		Aisle width with pallets 800 wide x 1200 long,	Ast (mm)	4056	4056	4123
4.35		Outer turning radius	Wa (mm)	2149	2149	2216
4.36		Inner turning radius	b13 (mm)	50	50	50
Performance	5.1	Travel speed laden/unladen	km/h	17.1 / 18.0	17.5 / 18.7	18.0 / 19.2
	5.2	Lifting speed laden/unladen	m/sec	0.56 / 0.57	0.56 / 0.57	0.56 / 0.57
	5.3	Lowering speed laden/unladen	m/sec	0.50 / 0.42	0.50 / 0.42	0.50 / 0.42
	5.5	Maximum drawbar pull laden/unladen,	N	20500 / 12100	21800 / 11500	19100 / 11400
		Drawbar pull laden/unladen, @ 1.6km/h	N	16900 / 12100	16500 / 12500	15900 / 11400
		Drawbar pull laden/unladen, @ 4.8km/h	N	11200 / 11200	11200 / 11200	10700 / 11100
	5.7	Gradeability laden/unladen, @ 1.6km/h	%	31.1 / 34.2	41.0 / 34.2	25.1 / 29.3
		Gradeability laden/unladen, @ 4.8km/h	%	19.0 / 29.8	30.0 / 34.2	16.0 / 29.0
	5.10	Service brake		Hydraulic	Hydraulic	Hydraulic
	Motor	7.1	Engine manufacturer/type		Mazda F2	Mazda F2
7.2		Engine output, in accordance with ISO1585	kW	37.8	37.8	45.6
7.3		Governed speed	rpm	2700	2700	2700
7.4		Number of cylinders/displacement	cm3	4 / 2184	4 / 2184	4 / 2400
Other	8.1	Drive control		Hydrodynamic	Hydrodynamic	Hydrodynamic
	8.2	Working pressure for attachments	bar	0 - 155	0 - 155	0 - 155
	8.3	Oil flow for attachments †	l/min	62	62	66
	8.4	Average noise level at operator's ear ★	dB(A)	78	78	78
		Guaranteed sound power 2001/14/EC		-	-	-
8.5	Towing coupling type		Pin	Pin	Pin	

★ L_{PAZ} measured according to the test cycles and based on the weighting values contained in EN12053, subject to final confirmation.

† Variable

▼ Top of forks

✕ Full suspension seat (FLS1500) specified

▶ Add 32mm with load backrest

○ h6 subject to +/- 5mm tolerance

Yale		Yale			Yale			1.1
GLP 25 VX		GLP 30 VX			GLP 35 VX			1.2
Mazda 2.2L Technonix 100	GM 2.4L Technonix 200	**Mazda 2.2L Standard Electronic	Mazda 2.2L Technonix 100	GM 2.4L Technonix 200	**Mazda 2.2L Standard Electronic	Mazda 2.2L Technonix 100	GM 2.4L Technonix 200	
Value	Productivity	Base	Value	Productivity	Base	Value	Productivity	
LPG	LPG	LPG	LPG	LPG	LPG	LPG	LPG	1.3
Seated Rider	Seated Rider	Seated Rider	Seated Rider	Seated Rider	Seated Rider	Seated Rider	Seated Rider	1.4
2500	2500	3000	3000	3000	3500	3500	3500	1.5
500	500	500	500	500	500	500	500	1.6
471	471	478	478	478	478	478	478	1.8
1623	1623	1623	1623	1623	1700	1700	1700	1.9
3932	3932	4390	4390	4390	4703	4703	4703	2.1
5501 / 699	5501 / 699	6334 / 775	6334 / 775	6334 / 775	7013 / 866	7013 / 866	7013 / 866	2.2
1783 / 2209	1783 / 2209	1781 / 2608	1781 / 2608	1781 / 2608	1798 / 2905	1798 / 2905	1798 / 2905	2.3
SC	SC	SC	SC	SC	SC	SC	SC	3.1
7.00 X 12 - 12	7.00 X 12 - 12	28 X 9 - 15	28 X 9 - 15	28 X 9 - 15	28 X 9 - 15	28 X 9 - 15	28 X 9 - 15	3.2
6.00 X 9	6.00 X 9	6.50 X 9	6.50 X 9	6.50 X 9	6.50 X 10	6.50 X 10	6.50 X 10	3.3
2x / 2	2x / 2	2x / 2	2x / 2	2x / 2	2x / 2	2x / 2	2x / 2	3.5
965	965	965	965	965	965	965	965	3.6
1142	1142	1144	1144	1144	1144	1144	1144	3.7
6 / 5	6 / 5	6 / 10	6 / 10	6 / 10	6 / 10	6 / 10	6 / 10	4.1
2170	2170	2195	2195	2195	2195	2195	2195	4.2
140	140	150	150	150	150	150	150	4.3
3290	3290	3105	3105	3105	3105	3105	3105	4.4
3900	3900	3805	3805	3805	3805	3805	3805	4.5
2160	2160	2160	2160	2160	2185	2185	2185	4.7
827	827	827	827	827	827	827	827	4.8
365	365	365	365	365	390	390	390	4.12
3559	3559	3633	3633	3633	3734	3734	3734	4.19
2559	2559	2633	2633	2633	2734	2734	2734	4.20
1157 / 1601	1157 / 1601	1186 / 1601	1186 / 1601	1186 / 1601	1186 / 1601	1186 / 1601	1186 / 1601	4.21
40 X 100 X 1000	40 X 100 X 1000	50 X 125 X 1000	50 X 125 X 1000	50 X 125 X 1000	50 X 125 X 1000	50 X 125 X 1000	50 X 125 X 1000	4.22
II A	II A	III A	III A	III A	III A	III A	III A	4.23
1067	1067	1067	1067	1067	1067	1067	1067	4.24
107	107	132	132	132	132	132	132	4.31
160	160	160	160	160	185	185	185	4.32
3986	3986	4063	4063	4063	4165	4165	4165	4.33
4123	4123	4196	4196	4196	4293	4293	4293	4.34
2216	2216	2277	2277	2277	2380	2380	2380	4.35
50	50	25	25	25	54	54	54	4.36
18.0 / 19.2	18.7 / 19.8	18.1 / 19.2	18.1 / 19.2	18.7 / 19.8	18.0/19.1	18.0 / 19.2	18.7 / 19.8	5.1
0.56 / 0.57	0.60 / 0.61	0.47 / 0.48	0.47 / 0.48	0.53 / 0.54	0.49 / 0.50	0.49 / 0.50	0.53 / 0.54	5.2
0.50 / 0.51	0.54 / 0.55	0.50 / 0.42	0.50 / 0.42	0.50 / 0.42	0.50 / 0.42	0.50 / 0.42	0.50 / 0.42	5.3
19100 / 11400	21800 / 11500	18900 / 11700	18900 / 11700	21800 / 11700	18900 / 12600	18900 / 12600	21800 / 12600	5.5
15900 / 11400	21800 / 11500	15700 / 11700	15700 / 11700	21800 / 11700	15700 / 12600	15700 / 12600	21800 / 12600	
10700 / 11100	15800 / 16500	10500 / 11100	10500 / 11100	15600 / 16000	10500 / 11100	10500 / 11100	16000 / 16900	
25.1 / 29.3	35.4 / 29.3	21.5 / 26.6	21.5 / 26.6	30.4 / 26.6	19.4 / 26.9	19.4 / 26.9	27.3 / 26.9	5.7
16.0 / 29.0	23.0 / 29.3	14.0 / 25.0	14.0 / 25.0	22.1 / 26.6	13.5 / 23.0	13.5 / 23.0	20.0 / 26.9	
Hydraulic	Hydraulic	Hydraulic	Hydraulic	Hydraulic	Hydraulic	Hydraulic	Hydraulic	5.10
Mazda F2	GM 2.4L	Mazda F2	Mazda F2	GM 2.4L	Mazda F2	Mazda F2	GM 2.4L	7.1
37.8	45.6	37.8	37.8	45.6	37.8	37.8	45.6	7.2
2700	2700	2700	2700	2700	2700	2700	2700	7.3
4 / 2184	4 / 2400	4 / 2184	4 / 2184	4 / 2400	4 / 2184	4 / 2184	4 / 2400	7.4
Hydrodynamic	Hydrodynamic	Hydrodynamic	Hydrodynamic	Hydrodynamic	Hydrodynamic	Hydrodynamic	Hydrodynamic	8.1
0 - 155	0 - 155	0 - 155	0 - 155	0 - 155	0 - 155	0 - 155	0 - 155	8.2
62	66	62	62	66	62	62	66	8.3
78	78	78	78	78	78	78	78	8.4
-	-	-	-	-	-	-	-	
Pin	Pin	Pin	Pin	Pin	Pin	Pin	Pin	8.5

Characteristics

Weights

Wheels & Tyres

Dimensions

Performance

Motor

Other

Spec sheet truck based on (GLP 20 VX and GLP 25 VX): 3290mm tof 2 stage LFL mast with standard carriage, 1000mm forks and e-hydraulics.

Spec sheet truck based on (GLP 30 VX and GLP 35 VX): 3105mm tof 2 stage LFL mast with standard carriage, 1000mm forks and e-hydraulics.

Engine data based on maximum capacity displacement.