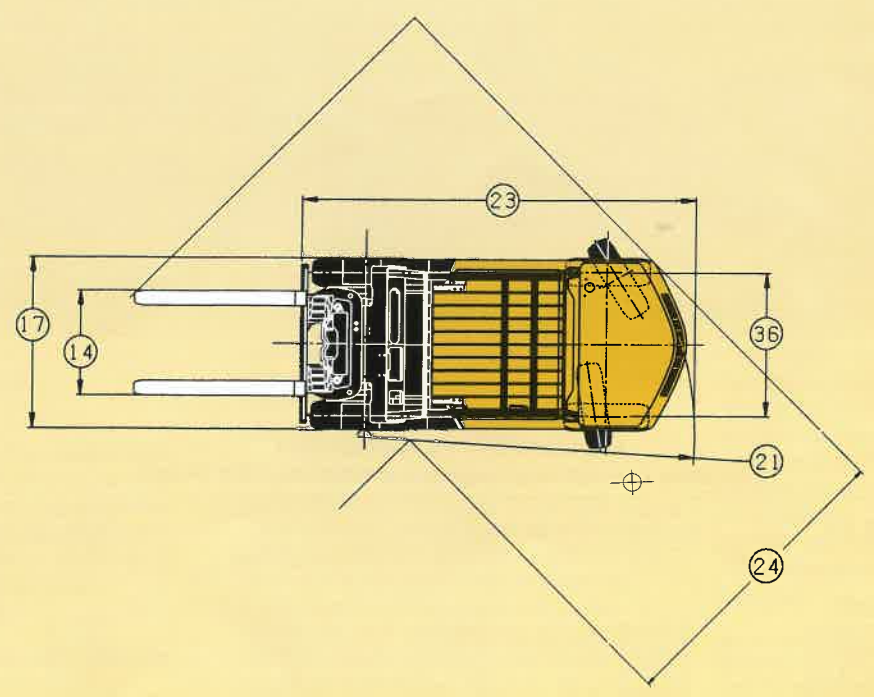




Pneumatic Tire Fork Lift Trucks Gas/LPG/CNG/Diesel Powered 4000, 5000 and 6000 lb Capacity 1820, 2270 and 2720 kg Capacity

- Models: GP 040RF ■ GDP 040RF ■
 GP 050RF ■ GDP 050RF ■
 GP 050TF ■ GDP 050TF ■
 GP 060TF ■ GDP 060TF ■



Yale GP-RF and TF Series Pneumatic Lift Trucks are available in several fuel and engine options, including Gasoline, Liquid Petroleum Gas (LPG), Compressed Natural Gas (CNG), and Diesel Powered. The RF and TF series offer a wide-range of features designed around the operator, resulting in a quiet, comfortable, easy to drive performer.

The GP-RF and TF Series feature an ergonomically designed, isolastically suspended operator's compartment designed to improve operator comfort and productivity by reducing noise and vibration. A four-position tilt steering column and an adjustable vinyl-covered bucket seat with operator's hip restraints and retracting seat belt are standard. The instrument panel contains a fuel gauge, coolant temperature gauge, oil pressure lamp, charging system lamp, transmission oil temperature lamp, seat belt warning lamp, and an engine hour meter. **Note: LPG and CNG do NOT have fuel gauge - Diesel Models Include Glow-Plug Lamp and Sedimentor Lamp.**

Diesel Engine Specifications
GDP-RF Series
 Engine Yale XA
 Cylinder 4
 Camshaft Overhead Valve
 Crankshaft 5 Bearing Supported
 Displacement 2.5 Liter
 Horsepower 49.0 @ 2700 RPM
 Torque 104.9 ft-lb (137 N-M) @ 1600 RPM

GDP-TF Series
 Engine Yale HA
 Cylinder 4
 Camshaft Overhead Valve
 Crankshaft 5 Bearing Supported
 Displacement 3.0 Liter
 Horsepower 56.0 @ 2200 RPM
 Torque 132 ft-lb (179 N-M) @ 1700 RPM

Engine Features

Quick Start System (QSS) for fast starting even in cold weather, Ricardo-type swirl combustion chambers, precise fuel injection, replaceable cylinder liners, alloy valves and valve seats, and a Positive Crankcase Ventilation (PCV) system. These state-of-the-art features

produce a clean burning, fuel-efficient power plant with proven durability.

Fuel System incorporates a 16.0 gallon, (60 liter) tank. Gas engine uses a single barrel, downdraft carburetor with an in-line fuel filter and mechanical fuel pump. Diesel engine features precisely metered fuel injection system with sedimentor. Optional LPG, CNG, and dual fuel systems are available.

Transmission is a single-range, powershift type with electric shift control. A single adjustable pedal controls both inching and braking. Control valve is externally mounted for ease of serviceability. Neutral start switch and Anti-Restart protection are standard. 100 mesh suction and 10 micron return line filtration protect the transmission from abrasive contaminants.

Cooling system employs a 15 inch (380 mm), white, six bladed pusher type fan with shroud. A permanently lubricated water pump and a high capacity, cross-flow radiator ensure

(Continued on back page)

YALE GP060TF				YALE GDP060TF				Manufacturer	Manufacturer Name	1	
6000	2720	6000	2720	Type	Manufacturer Designation					2	
24	600	24	600	Capacity	Rated Capacity					3	
Gas/LPG/CNG				Diesel				With Loader Center At	Distance	lb. (kg.)	4
Seated Rider				Seated Rider				Power Type	Gasoline, LPG, CNG, Diesel	in. (mm.)	5
21.0	533	21.0	533	Operator	Pedestrian, Stand-On, Seated Rider					6	
P	P	P	P	Step Height						7	
2	2	2	2	Tire Type	C = Cush, P = Pneu. Front/Rear					8	
126.5	3215	126.5	3215	Wheels	No. Front/Rear					9	
5.5	140	5.5	140	Lift Height	Lift Height, (Top Of Fork)					10	
43.3	1100	43.3	1100	With Two Stage Mast	Std. Free Lift (Top Of Fork)					11	
2.0/5.0/42	50/125/1067	2.0/5.0/42	50/125/1067	Forks	Thickness/Width/Length					12	
42	1065	42	1065	Fork Spread	Outside Dimension					13	
6	8	6	8	Tilt Of Mast	Forward/Backward					14	
103.9	2638	103.9	2638	O'All Dimensions	Length To Face Of Forks					15	
47.4	1205	47.4	1205		Overall Width					16	
87.0	2200	87.0	2200		Height With Collapsed Mast					17	
174.5	4430	174.5	4430		Height With Extended Mast With LBR					18	
83.9	2130	83.9	2130		Height Of Overhead Guard					19	
89.4	2270	89.4	2270		Turning Radius	Outside					20
18.8	480	18.8	480	Load Length	Front Overhang					21	
108.2	2750	108.2	2750	Aisle Width	Rt. Angle Stack (Add Length Of Load)					22	
79.5	2020	79.5	2020	Equal Aisle						23	
12.2	12.3	19.6	19.8	Speeds	Travel Loaded/Unloaded					24	
93	470	102	520		Lift Loaded/Unloaded					25	
99	500	83	420		Lowering Loaded/Unloaded					26	
3405	2950	1545	1340		Loaded/Unloaded					27	
21.1	21.0	21.1	21.0	Drawbar Pull	Loaded/Unloaded					28	
Power				Power				Gradeability	Loaded/Unloaded (Loaded at 1.0 MPH)	%	29
9731	4415	9929	4505	Steering	Manual/Power					30	
4152	5579	1884	2531	Unloaded Weight						31	
28 x 9 x 15 - 12PR				28 x 9 x 15 - 12PR				Axle Loads	Unloaded Front/Rear	lb. (kg.)	32
6.5 x 10 - 10PR				6.5 x 10 - 10PR				Tire Size	Front		33
63.9	1623	63.9	1623	Wheelbase						34	
38.2	38.1	970	970	Tread	Center Of Tires Front/Rear					35	
6.2	157	6.2	157	Ground Clearance	Unloaded At Lowest Point					36	
6.9	175	6.9	175		Unloaded Center Of Wheelbase					37	
Foot Hydraulic				Foot Hydraulic				Service Brake			38
Hand Mechanical				Hand Mechanical				Parking Brake			39
24 - 305				24LTV				Battery	Type		40
12	305	12	590	Voltage - Cold Cranking Amps					V/CCA	41	
Yale F2				Yale HA					Mfg./Model		
46	2700	56	2200	I.C. Engine	Permanent Output					hp at RPM	43
113 @ 1700	15.6 @ 1700	132 @ 1700	18.3 @ 1700		Torque					lb.-ft (kg/m)	44
4	133	4	2184		No. Of Cyls./Displacement					No./in. ³ (cc)	45
F1/R1					F1/R1				Transmission	With ICE Drive	Type
77				77				Noise Level	LEQ	dB(A)	47
12.0	45.3	12.0	45.3	Hydraulic Tank	Capacity					gal. (liter)	48
16.0	60.0	16.0	60.0	Fuel Tank	Capacity					gal. (liter)	49



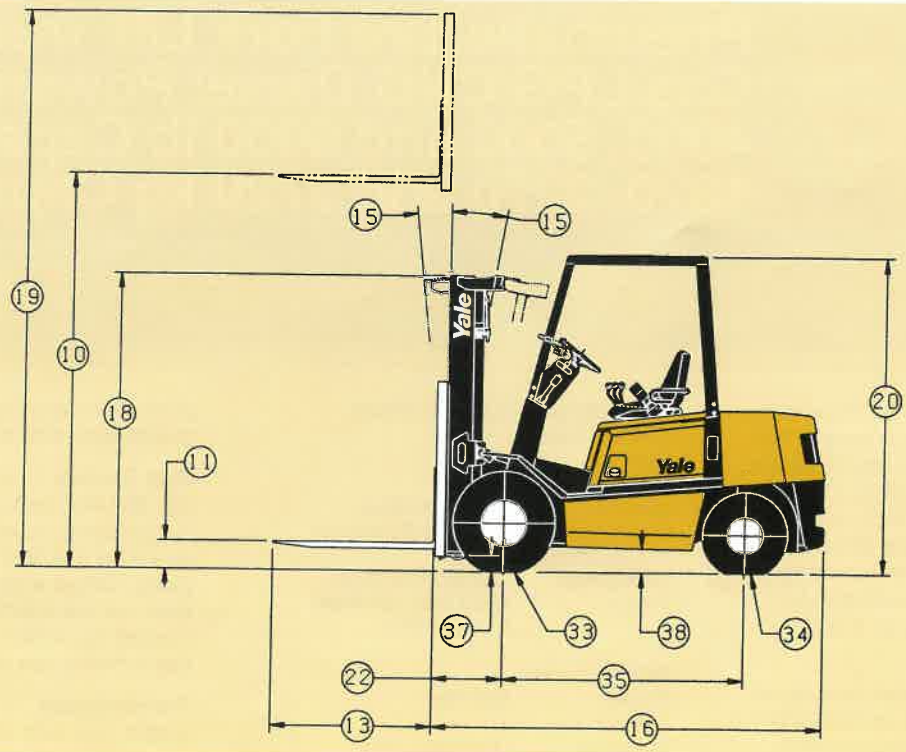
Manufactured in ISO 9002 Registered Facilities

Gas/LPG/CNG Engine Specifications
GP-RF Series
 Engine Yale FE
 Cylinder 4
 Camshaft Overhead Valve
 Crankshaft 5 Bearing Supported
 Displacement 2.0 Liter
 Horsepower 42.0 @ 2700 RPM
 Torque 104.0 ft-lb (141 N-M) @ 1700 RPM

GP-TF Series
 Engine Yale F2
 Cylinder 4
 Camshaft Overhead Valve
 Crankshaft 5 Bearing Supported
 Displacement 2.2 Liter
 Horsepower 46.0 @ 2700 RPM
 Torque 113.0 ft-lb (153 N-M) @ 1700 RPM

Engine Features

High Energy Ignition (HEI) for increased spark plug life and starting ease, Vacuum Control Valve (VCV), idle-up device (to avoid stalling), and a cross-flow hemispherical head design. All of these features contribute to provide optimum power, while maintaining excellent fuel economy. Automatic choke is standard.



GENERAL	1	Manufacturer	Manufacturer Name		YALE		YALE	
	2	Type	Manufacturer Designation		GP040RF		GDP040RF	
	3	Capacity	Rated Capacity		4000	1820	4000	1820
	4	With Loader Center At	Distance		24	600	24	600
	5	Power Type	Gasoline, LPG, CNG, Diesel		Gas/LPG/CNG		Diesel	
	6	Operator	Pedestrian, Stand-On, Seated Rider		Seated Rider		Seated Rider	
	7	Step Height			20.4	518	20.4	518
	8	Tire Type	C = Cush, P = Pneu, Front/Rear		P	P	P	P
	9	Wheels	No. Front/Rear		2	2	2	2
	10	Lift Height	Lift Height, (Top Of Fork)		131	3330	131	3330
	11	With Two Stage Mast	Std. Free Lift (Top Of Fork)		5.5	140	5.5	140
	12		Max. Carriage Width		43.3	1100	43.3	1100
	13	Forks	Thickness/Width/Length		1.5/5.0/42	40/125/1067	1.5/5.0/42	40/125/1067
	14	Fork Spread	Outside Dimension		42	1065	42	1065
	15	Tilt Of Mast	Forward/Backward		6	8	6	8
	16		Length To Face Of Forks		99.2	2520	99.2	2520
	17		Overall Width		45.5	1155	45.5	1155
	18	O'All Dimensions	Height With Collapsed Mast		86.0	2170	86.0	2170
	19		Height With Extended Mast With LBR		179.3	4555	179.3	4555
	20		Height Of Overhead Guard		83.3	2115	83.3	2115
	21	Turning Radius	Outside		85.4	2170	85.4	2170
	22	Load Length	Front Overhang		18.5	470	18.5	470
	23	Aisle Width	Rt. Angle Stack (Add Length Of Load)		103.9	2640	103.9	2640
	24	Equal Aisle			77.9	1980	77.9	1980
	25		Travel Loaded/Unloaded		11.3	11.9	18.2	19.2
	26	Speeds	Lift Loaded/Unloaded		108	550	118	600
	27		Lowering Loaded/Unloaded		99	500	83	420
	28	Drawbar Pull	Loaded/Unloaded		3450	2955	1545	1340
	29	Gradeability	Loaded/Unloaded (Loaded at 1.0 MPH)		29.3	27	29.3	27
	30	Steering	Manual/Power		Power		Power	
	31	Unloaded Weight			8012	3635	8210	3725
	32	Axle Loads	Unloaded Front/Rear		3869	4143	1755	1880
	33				3979	4231	1805	1920
	34	Tire Size	Front		7.00 x 12 - 12PR		7.00 x 12 - 12PR	
	35		Rear		6.00 x 9 - 10PR		6.00 x 9 - 10PR	
	36	Wheelbase			63.9	1623	63.9	1623
	37	Tread	Center Of Tires Front/Rear		37.8	38.1	960	970
	38	Ground Clearance	Unloaded At Lowest Point		5.2	132	5.2	132
	39		Unloaded Center Of Wheelbase		6.3	160	6.3	160
	40	Service Brake			Foot Hydraulic		Foot Hydraulic	
	41	Parking Brake			Hand Mechanical		Hand Mechanical	
	42	Battery	Type		24 - 305		24LTV	
	43		Volt/Amp - Cold Cranking Amps		V/CCA	12	305	12
	44		Mfgr./Model		Yale FE		Yale XA	
	45	I.C. Engine	Permanent Output		42	2700	49	2700
	46		Torque		104 @ 1700	14.4 @ 1700	105 @ 1600	14.7 @ 1600
	47		No. Of Cyls./Displacement		4	122	4	1998
	48	Transmission	With ICE Drive		F1/R1		F1/R1	
	49	Noise Level	LEQ		77		82	
	50	Hydraulic Tank	Capacity		12.0	45.3	12.0	45.3
		Fuel Tank	Capacity		16.0	60.0	16.0	60.0

GENERAL	YALE GP050RF				YALE GDP050RF				YALE GP050TF				YALE GDP050TF			
	5000		2270		5000		2270		5000		2270		5000		2270	
	24		600		24		600		24		600		24		600	
	Gas/LPG/CNG				Diesel				Gas/LPG/CNG				Diesel			
	Seated Rider				Seated Rider				Seated Rider				Seated Rider			
	20.4		518		20.4		518		20.4		518		20.4		518	
	P		P		P		P		P		P		P		P	
	2		2		2		2		2		2		2		2	
	131		3330		131		3330		131		3330		131		3330	
	5.5		140		5.5		140		5.5		140		5.5		140	
	43.3		1100		43.3		1100		43.3		1100		43.3		1100	
	1.5/5.0/42		40/125/1067		1.5/5.0/42		40/125/1067		1.5/5.0/42		40/125/1067		1.5/5.0/42		40/125/1067	
	42		1065		42		1065		42		1065		42		1065	
	6		8		6		8		6		8		6		8	
	100.4		2550		100.4		2550		100.4		2550		100.4		2550	
	45.5		1155		45.5		1155		45.5		1155		45.5		1155	
	86.0		2170		86.0		2170		86.0		2170		86.0		2170	
	179.3		4555		179.3		4555		179.3		4555		179.3		4555	
	83.3		2115		83.3		2115		83.3		2115		83.5		2115	
	86.5		2198		86.5		2198		86.5		2198		86.5		2198	
	18.5		470		18.5		470		18.5		470		18.5		470	
	105.0		2668		105.0		2668		105.0		2268		105.0		2268	
	78.3		1990		78.3		1990		77.9		1980		77.9		1980	
	11.3		11.9		11.5		11.8		11.3		11.9		11.6		12.3	
	104		530		108		550		106		540		98		500	
	99		500		99		500		99		500		99		500	
	3450		2810		3515		2875		3620		2810		3935		2875	
	25.4		23		25.4		23		26.5		23.0		26.5		23.0	
	Power				Power				Power				Power			
	8772		3980		8970		4070		8772		3980		8970		4070	
	4035		4737		4079		4891		4035		4737		4079		4891	
			1831				1851				1831				1851	
			2149				2215				2149				2219	
	7.00 x 12 - 12PR				7.00 x 12 - 12PR				7.00 x 12 - 12PR				7.00 x 12 - 12PR			
	6.00 x 9 - 10PR				6.00 x 9 - 10PR				6.00 x 9 - 10PR				6.00 x 9 - 10PR			
	63.9		1623		63.9		1623		63.9		1623		63.9		1623	
	37.8		38.1		37.8		38.1		37.8		38.1		37.8		38.1	
	5.2		132		5.2		132		5.2		132		5.2		132	
	6.3		160		6.3		160		6.3		160		6.3		160	
	Foot Hydraulic				Foot Hydraulic				Foot Hydraulic				Foot Hydraulic			
	Hand Mechanical				Hand Mechanical				Hand Mechanical				Hand Mechanical			
	24 - 305				24LTV				24 - 305				24LTV			
	12		305		12		590		12		305		12		590	
	Yale FE				Yale XA				Yale F2				Yale HA			
	42		2700		49		2700		46		2700		56		2200	
	104 @ 1700		14.4 @ 1700		105 @ 1600		14.7 @ 1600		113 @ 1700		15.6 @ 1700		132 @ 1700		18.3 @ 1700	
	4		122		4		154		4		133		4		182	
	F1/R1				F1/R1				F1/R1				F1/R1			
	77				82				77				77			
	12.0		45.3		12.0		45.3		12.0		45.3		12.0		45.3	
	16.0		60.0		16.0		60.0		16.0		60.0		16.0		60.0	