

# Electric powered forklift 1.5 - 2.0 ton

TOYOTA  
**TRIGO<sup>48</sup>**

4 wheel



# Electric powered forklift 1.5 - 2.0 ton

Truck specifications						8FBMT15	8FBMT16	8FBMT18	8FBMT20	
Identification	1.1	Manufacturer				TOYOTA	TOYOTA	TOYOTA	TOYOTA	
	1.2	Model				8FBMT15	8FBMT16	8FBMT18	8FBMT20	
	1.3	Drive				Electric	Electric	Electric	Electric	
	1.4	Operator type				Rider seated	Rider seated	Rider seated	Rider seated	
	1.5	Load capacity/rated load	Q	kg		1500	1600	1800	2000	
	1.6	Load centre	c	mm		500	500	500	500	
	1.8	Load distance, centre of drive axle to fork	x	mm		358	358	358	358	
	1.9	Wheelbase	y	mm		1314	1530	1530	1530	
	Weight	2.1	Service weight				2977	3036	3133	3335
§		Axle load, with load, front/rear				3924/553	4126/511	4420/513	4767/567	
2.3		Axle load, without load, front/rear				1456/1521	1638/1398	1613/1520	1649/1686	
Tyres	3.1	Tyre - pneumatic (P), pneumatic shaped cushion (SE), solid rubber (R)				SE	SE	SE	SE	
	3.2	Tyre size, front				18x7-8	18x7-8	18x7-8	200/50-10	
	3.3	Tyre size, rear				16x6-8	16x6-8	16x6-8	16x6-8	
	3.5	Wheels, number front/rear (x=driven wheels)				2x/2	2x/2	2x/2	2x/2	
	3.6	Track width, front	b <sub>10</sub>	mm		894	894	894	914	
	3.7	Track width, rear	b <sub>11</sub>	mm		880	880	880	880	
	Dimensions	4.1	Tilt of mast/fork carriage forward/backward			$\alpha/\beta$	deg	5/7	5/7	5/7
4.2		Height, mast lowered			h <sub>1</sub>	mm	2120	2120	2120	
4.3		Free lift			h <sub>2</sub>	mm	115	115	115	
4.4		Lift			h <sub>3</sub>	mm	3265	3265	3265	
		Lift height			h <sub>23</sub>	mm	3300	3300	3300	
4.5		Height, mast extended			h <sub>4</sub>	mm	3870	3870	3870	
4.7		Height of overhead guard (cab)			h <sub>6</sub>	mm	2055	2055	2055	
4.8		Seat height/stand height			h <sub>7</sub>	mm	944	944	952	
4.12		Coupling height			h <sub>10</sub>	mm	427	427	427	
4.19		Overall length			l <sub>1</sub>	mm	2972	3188	3188	
4.20		Length to face of forks			l <sub>2</sub>	mm	1972	2188	2188	
4.21		Overall width			b <sub>1</sub>	mm	1050	1050	1050	
4.22		Fork dimensions			s/e/l	mm	35/100/1000	35/100/1000	35/100/1000	
4.23		Fork carriage DIN 15 173, class/type A, B					A	A	A	
4.24		Fork-carriage width			b <sub>3</sub>	mm	920	920	920	
4.31		Ground clearance, with load, below mast			m <sub>1</sub>	mm	80	80	90	
4.32		Ground clearance, centre of wheelbase			m <sub>2</sub>	mm	101	101	107	
4.33		Aisle width for pallets 1000 x 1200 crossways			A <sub>st</sub>	mm	3253	3465	3465	
4.34	Aisle width for pallets 800 x 1200 lengthways			A <sub>st</sub>	mm	3409	3618	3618		
4.35	Turning radius			W <sub>a</sub>	mm	1639	1845	1845		
4.36	Internal turning radius			b <sub>13</sub>	mm	205	186	186		
Performance data	5.1	Travel speed, with/without load				km/h	20/20	20/20	20/20	
	5.2	Lift speed, with/without load				m/s	0,44/0,61	0,43/0,61	0,42/0,61	
	5.3	Lowering speed, with/without load				m/s	0,53/0,55	0,53/0,55	0,52/0,50	
	5.5	Drawbar pull, with/without load				N	5083/5171	5055/5162	4998/5143	
	5.6	Max. drawbar pull, with/without load				N	9534/9437	9505/9428	9448/9409	
	5.7	Gradeability, with/without load				%	17,3/22,4	16,6/25,7	15,3/24,2	
	5.8	Max. gradeability, with/without load				%	23,6/22,4	22,7/25,7	21,0/24,2	
	5.10	Service brake					Mechanical	Mechanical	Mechanical	
	Electric motor	6.1	Drive motor rating S2 60 min				kW	6,6x2	6,6x2	6,6x2
		6.2	Lift motor rating S3 15%				kW	11	11	11
6.3		Battery acc. to DIN 43 531/35/36 A, B, C, no					43 531A	43 531A	43 531A	
6.4		Battery voltage, nominal capacity K5				V/Ah	48/440	48/660	48/660	
6.5		Battery weight				kg	708	1013	1013	
Others	8.1	Type of drive control					inverter MOSFET	inverter MOSFET	inverter MOSFET	
	8.2	Operating pressure for attachments				bar	183	183	183	
	8.3	Oil volume for attachments				l/min	41,3	41,3	41,3	
	8.4	Sound level at the driver's ear according to EN 12 053				dB(A)	70,7	70,7	70,7	

Performance data and dimensions are nominal and subject to tolerances.

Specifications are subject to change without notice.

Please obtain the latest specifications before contracting products.

# Master dimensions and rated capacities

Model			V								FV				FW				FSV						FSW							
8FBMT15/16/18/20	Lift height	$h_{23}$	3000	3300	3500	3700	4000	4500	5000	3000	3300	3500	3700	3000	3300	3500	3700	4300	4500	4700	5000	5500	6000	4300	4500	4700	5000	5500	6000	6500	7000	7500
	Lift	$h_3$	2965	3265	3465	3665	3965	4465	4965	2965	3265	3465	3665	2965	3265	3465	3665	4265	4465	4665	4965	5465	5965	4265	4465	4665	4965	5465	5965	6465	6965	7465
	Height, mast lowered	$h_1$	1970	2120	2220	2380	2570	2820	3070	1970	2120	2220	2380	2000	2150	2250	2350	1970	2040	2120	2220	2380	2570	1980	2050	2150	2250	2450	2600	2800	3000	3200
	Height, mast extended <sup>1)</sup>	$h_4$	3570	3870	4070	4270	4570	5070	5570	3580	3880	4080	4280	3555	3855	4055	4255	4845	5045	5245	5545	6045	6545	4845	5045	5245	5545	6045	6545	7045	7545	8045
	Height, mast extended <sup>2)</sup>	$h_4$	4260	4560	4760	4960	5260	5760	6260	4260	4560	4760	4960	4260	4560	4760	4960	5560	5760	5960	6260	6760	7260	5560	5760	5960	6260	6760	7260	7760	8260	8760
	Free lift, without load backrest	$h_2$	115	115	115	115	115	115	115	1425	1575	1675	1835	1485	1635	1735	1835	1450	1520	1600	1700	1860	2050	1475	1545	1645	1745	1945	2095	2295	2495	2695
Free lift, with load backrest	$h_2$	115	115	115	115	115	115	115	745	895	995	1155	780	930	1030	1130	745	815	895	995	1155	1345	760	830	930	1030	1230	1380	1580	1780	1980	

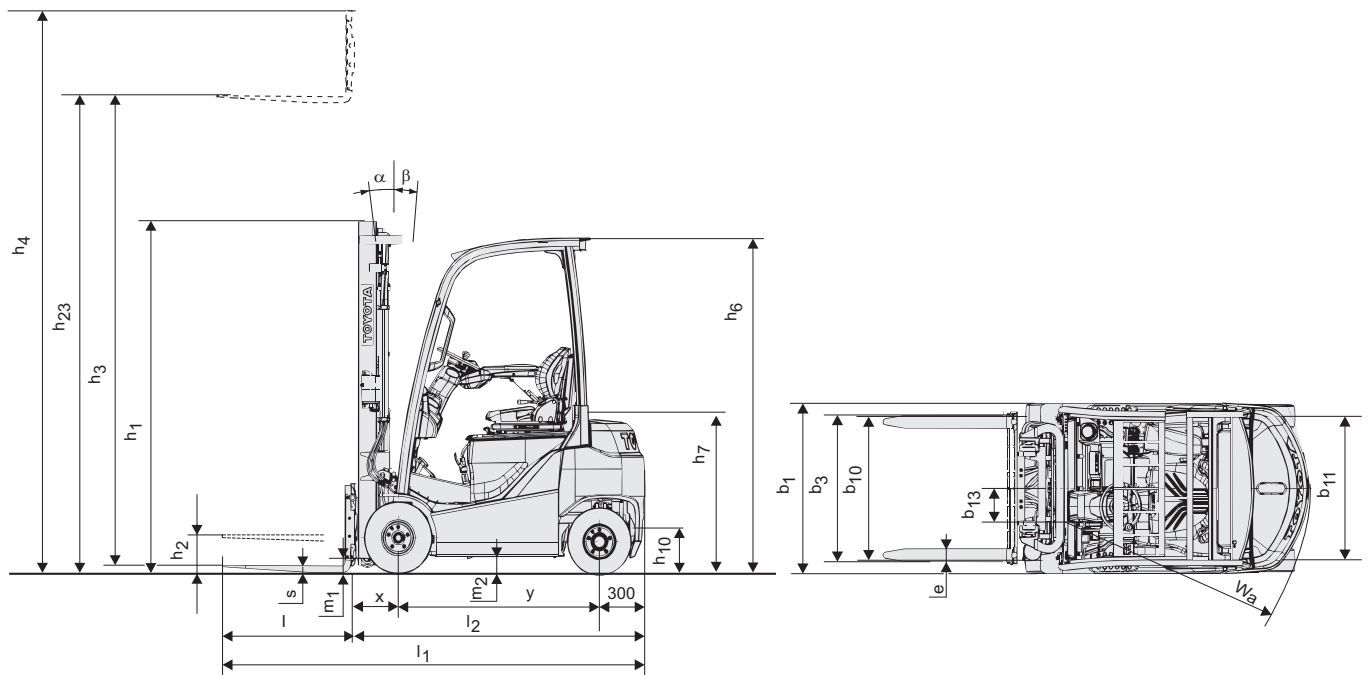
1) Without load backrest

2) With load backrest; Height of standard load backrest is 1220 mm.

Pneumatic shaped cushion tyre			V								FV				FW				FSV						FSW							
8FBMT15	Tilt range, forward	deg	5	5	5	5	5	5	5	5	5	5	5	5	5	5	5	5	5	5	5	5	5	5	5	5	5	5	5	5	5	
	Tilt range, backward	deg	7(5)	7(5)	7(5)	7(5)	7(5)	7(5)	7(5)	7(5)	7(5)	7(5)	7(5)	7(5)	7(5)	7(5)	7(5)	7(5)	7(5)	7(5)	7(5)	7(5)	7(5)	7(5)	7(5)	7(5)	7(5)	7(5)	7(5)	7(5)	7(5)	
	Load capacity at 500 mm LC	kg	1500	1500	1500	1500	1500	1450	1350	1500	1500	1500	1500	1500	1500	1500	1500	1450	1450	1400	1400	1250	1100	1450	1450	1400	1400	1250	1100	900	850	700
8FBMT16	Tilt range, forward	deg	5	5	5	5	5	5	5	5	5	5	5	5	5	5	5	5	5	5	5	5	5	5	5	5	5	5	5	5	5	
	Tilt range, backward	deg	7(5)	7(5)	7(5)	7(5)	7(5)	7(5)	7(5)	7(5)	7(5)	7(5)	7(5)	7(5)	7(5)	7(5)	7(5)	7(5)	7(5)	7(5)	7(5)	7(5)	7(5)	7(5)	7(5)	7(5)	7(5)	7(5)	7(5)	7(5)	7(5)	
	Load capacity at 500 mm LC	kg	1600	1600	1600	1600	1600	1550	1450	1600	1600	1600	1600	1600	1600	1600	1600	1550	1550	1500	1450	1350	1200	1550	1550	1500	1450	1350	1200	1050	900	750
8FBMT18	Tilt range, forward	deg	5	5	5	5	5	5	5	5	5	5	5	5	5	5	5	5	5	5	5	5	5	5	5	5	5	5	5	5	5	
	Tilt range, backward	deg	7(5)	7(5)	7(5)	7(5)	7(5)	7(5)	7(5)	7(5)	7(5)	7(5)	7(5)	7(5)	7(5)	7(5)	7(5)	7(5)	7(5)	7(5)	7(5)	7(5)	7(5)	7(5)	7(5)	7(5)	7(5)	7(5)	7(5)	7(5)	7(5)	
	Load capacity at 500 mm LC	kg	1800	1800	1800	1800	1800	1750	1650	1800	1800	1800	1800	1800	1800	1800	1800	1700	1700	1600	1600	1450	1250	1700	1700	1600	1600	1450	1250	1100	950	800
8FBMT20	Tilt range, forward	deg	5	5	5	5	5	5	5	5	5	5	5	5	5	5	5	5	5	5	5	5	5	5	5	5	5	5	5	5	5	
	Tilt range, backward	deg	7(5)	7(5)	7(5)	7(5)	7(5)	7(5)	7(5)	7(5)	7(5)	7(5)	7(5)	7(5)	7(5)	7(5)	7(5)	7(5)	7(5)	7(5)	7(5)	7(5)	7(5)	7(5)	7(5)	7(5)	7(5)	7(5)	7(5)	7(5)	7(5)	
	Load capacity at 500 mm LC	kg	2000	2000	2000	2000	2000	1900	1750	2000	2000	2000	2000	2000	2000	2000	2000	1850	1850	1800	1700	1500	1300	1850	1850	1800	1700	1500	1300	1150	1000	850

Pneumatic tyre			V								FV				FW				FSV						FSW							
8FBMT15	Tilt range, forward	deg	5	5	5	5	5	5	5	5	5	5	5	5	5	5	5	5	5	5	5	5	5	5	5	5	5	5	5	5	5	
	Tilt range, backward	deg	7(5)	7(5)	7(5)	7(5)	7(5)	7(5)	7(5)	7(5)	7(5)	7(5)	7(5)	7(5)	7(5)	7(5)	7(5)	7(5)	7(5)	7(5)	7(5)	7(5)	7(5)	7(5)	7(5)	7(5)	7(5)	7(5)	7(5)	7(5)	7(5)	
	Load capacity at 500 mm LC	kg	1500	1500	1500	1500	1500	1450	1350	1500	1500	1500	1500	1500	1500	1500	1500	1400	1380	1350	1200	1100	900	1400	1380	1350	1200	1100	900	800	700	600
8FBMT16	Tilt range, forward	deg	5	5	5	5	5	5	5	5	5	5	5	5	5	5	5	5	5	5	5	5	5	5	5	5	5	5	5	5	5	
	Tilt range, backward	deg	7(5)	7(5)	7(5)	7(5)	7(5)	7(5)	7(5)	7(5)	7(5)	7(5)	7(5)	7(5)	7(5)	7(5)	7(5)	7(5)	7(5)	7(5)	7(5)	7(5)	7(5)	7(5)	7(5)	7(5)	7(5)	7(5)	7(5)	7(5)	7(5)	
	Load capacity at 500 mm LC	kg	1600	1600	1600	1600	1600	1550	1450	1600	1600	1600	1600	1600	1600	1600	1600	1500	1450	1450	1300	1200	1000	1500	1450	1450	1300	1200	1000	9200	800	700
8FBMT18	Tilt range, forward	deg	5	5	5	5	5	5	5	5	5	5	5	5	5	5	5	5	5	5	5	5	5	5	5	5	5	5	5	5	5	
	Tilt range, backward	deg	7(5)	7(5)	7(5)	7(5)	7(5)	7(5)	7(5)	7(5)	7(5)	7(5)	7(5)	7(5)	7(5)	7(5)	7(5)	7(5)	7(5)	7(5)	7(5)	7(5)	7(5)	7(5)	7(5)	7(5)	7(5)	7(5)	7(5)	7(5)	7(5)	
	Load capacity at 500 mm LC	kg	1800	1800	1800	1800	1800	1750	1650	1800	1800	1800	1800	1800	1800	1800	1800	1600	1580	1550	1350	1250	1050	1600	1580	1550	1350	1250	1050	950	850	750

Data in ( ) are for when "Cabin Series" is selected (minimum front windshield).



---

## Standard equipments:

- Toyota SAS (System of Active Stability)
- Toyota AC<sup>2</sup> power system
- Toyota ORS seat (Operator Restraint System)
- Seat mounted hydraulic minilevers
- Wide visible mast (MFH:3300)
- Long forks (length:1000mm)
- Long forkbar (length: 920mm)
- 3 way valves
- Wet disc brakes
- Pneumatic shaped cushion tyres
- Full hydraulic power steering
- Digital Multifunction Display with wheel indicator
- Memory tilt steering column



TP-Technical Publications, Sweden — 745556-040, version 3, 1211