

# R 20

## Technical Data.

Electric Forklift Trucks

Models R 20-14/R 20-15/R 20-16/R 20-18/R 20-20.



**STILL**  
Making the right moves.

# R 20 Electric Forklift Trucks.

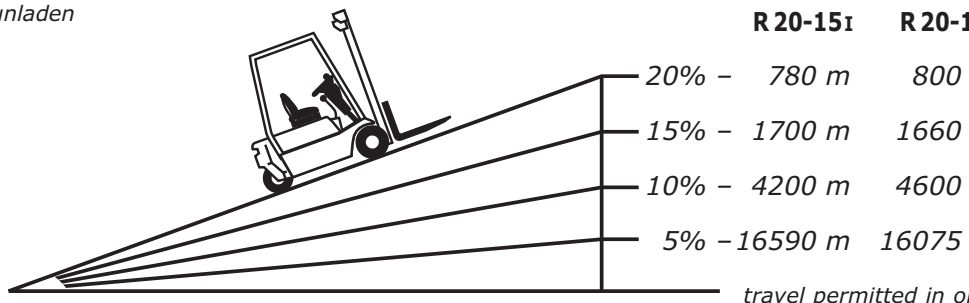
In accordance with VDI guidelines 2198, this specification applies to the standard model only.  
Alternative tyres, mast types, ancillary equipment, etc. could result in different values.

Characteristics	1.1	Manufacturer		STILL	STILL	STILL
	1.2	Manufacturer's model designation		R 20-14	R 20-15	R 20-16
	1.3	Power supply – electric, diesel, petrol, gas, mains electric		electric	electric	electric
	1.4	Type of control – hand, pedestrian, stand-on, rider seated		rider seated	rider seated	rider seated
	1.5	Carrying capacity/load	Q (kg)	1400	1500	1600
	1.6	Load centre	c (mm)	500	500	500
	1.8	Load distance	x (mm)	350	350	355
	1.9	Wheelbase	y (mm)	1232	1340	1445
	Wheels, tyres	2.1	Weight	kg	2760	2810
2.2		Axle loadings laden front	kg	3656	3740	3965
2.2.1		Axle loadings laden rear	kg	504	570	575
2.3		Axle loadings unladen front	kg	1310	1360	1425
2.3.1		Axle loadings unladen rear	kg	1450	1450	1515
Wheels, tyres	3.1	Tyres – rubber (V), superelastic (SE), pneumatic (L), polyurethane (PE)		SE/L	SE/L	SE/L
	3.2	Tyre size – front		18 x 7-8 (16 PR)	18 x 7-8 (16 PR)	18 x 7-8 (16 PR)
	3.3	Tyre size – rear		15 x 4 <sup>1</sup> / <sub>2</sub> -8 (12 PR)	15 x 4 <sup>1</sup> / <sub>2</sub> -8 (12 PR)	15 x 4 <sup>1</sup> / <sub>2</sub> -8 (12 PR)
	3.5	Wheels – number front (x = drive wheel)		2x	2x	2x
	3.5.1	Wheels – number rear (x = drive wheel)		2	2	2
	3.6	Track width – front	b <sub>10</sub> (mm)	932	932	932
	3.7	Track width – rear	b <sub>11</sub> (mm)	170	170	170
Dimensions	4.1	Tilt angle, mast/fork carriage forwards	degrees	3	3	3
	4.1.1	Tilt angle, mast/fork carriage backwards	degrees	7	7	7
	4.2	Closed height	h <sub>1</sub> (mm)	2260	2260	2260
	4.3	Free lift	h <sub>2</sub> (mm)	150	150	150
	4.4	Lift height	h <sub>3</sub> (mm)	3430	3430	3430
	4.5	Height, mast raised	h <sub>4</sub> (mm)	4080	4080	4080
	4.7	Height to top of overhead guard (cabin)	h <sub>6</sub> (mm)	1960	1960	1960
	4.8	Seat height	h <sub>7</sub> (mm)	892	892	892
	4.12	Coupling height	h <sub>10</sub> (mm)	460	460	460
	4.19	Overall length	l <sub>1</sub> (mm)	2565	2673	2782
	4.20	Length to front face of forks	l <sub>2</sub> (mm)	1765	1873	1982
	4.21	Overall width	b <sub>1</sub> (mm)	1080/1115	1080/1115	1080/1115
	4.22	Fork thickness	s (mm)	35	35	40
	4.22.1	Fork width	e (mm)	80	80	80
	4.22.2	Fork length	l (mm)	800	800	800
	4.23	Fork carriage to DIN 15173 – class / form A or B		ISO II B	ISO II B	ISO II B
	4.24	Fork carriage width	b <sub>3</sub> (mm)	980	980	980
	4.31	Ground clearance beneath mast, laden	m <sub>1</sub> (mm)	91	91	91
	4.32	Ground clearance at centre of wheelbase	m <sub>2</sub> (mm)	100	110	110
	4.33	Aisle width for pallets 1000 x 1200 wide	A <sub>st</sub> (mm)	3092	3200	3309
4.34	Aisle width for pallets 800 x 1200 long	A <sub>sl</sub> (mm)	3216	3324	3433	
4.35	Outer turning radius	W <sub>a</sub> (mm)	1415	1523	1627	
4.36	Inner turning radius	b <sub>13</sub> (mm)	-	-	-	
Performance	5.1	Speed laden	km/h	14	14	14
	5.1.1	Speed unladen	km/h	16	16	16
	5.2	Lift speed laden	m/s	0.42	0.42	0.42
	5.2.1	Lift speed unladen	m/s	0.6	0.6	0.6
	5.3	Lowering speed laden	m/s	0,6	0.6	0.6
	5.3.1	Lowering speed unladen	m/s	0.47	0.47	0.47
	5.5	Rated drawbar pull laden	N	2700	2700	2700
	5.5.1	Rated drawbar pull unladen	N	2700	2700	2700
	5.6	Max. drawbar pull laden	N	7550	7550	7550
	5.6.1	Max. drawbar pull unladen	N	7700	7700	7700
	5.7	Gradeability laden	%	6	6	5.9
	5.7.1	Gradeability unladen	%	10	10	10
	5.8	Max. gradeability laden	%	18	18	17
	5.8.1	Max. gradeability unladen	%	28	29	28
5.9	Acceleration time laden	s	4.7	4.7	4.8	
5.9.1	Acceleration time unladen	s	4	4	4.1	
5.10	Brakes		electr./ mech.	electr./ mech.	electr./ mech.	
Motors	6.1	Drive motor hourly capacity	kW	2 x 4	2 x 4	2 x 4
	6.2	Hoist motor capacity at 15% duty factor	kW	9	9	9
	6.3	Battery equipment to DIN 43531/35/36 A, B, C, no		DIN 43531 A	DIN 43531 A	DIN 43531 A
	6.4	Battery voltage	U (V)	48	48	48
	6.4.1	Battery capacity	K 5 (Ah)	460 (400–500)	575 (500–625)	690 (600–750)
	6.5	Battery weight	kg	708	856	1013
	6.6	Energy consumption according to VDI cycle	kWh/h			
Other	8.1	Drive control		Stilltronic-SCR	Stilltronic-SCR	Stilltronic-SCR
	8.2	Operating pressure for attachments	bar	170	170	170
	8.3	Oil flow for attachments	l/min			
	8.4	Average noise peak at operator's ears	dB (A)			
	8.5	Trailer coupling, type/DIN		pin	pin	pin

	STILL	STILL
	R 20-18	R 20-20
	electric	electric
	rider seated	rider seated
	1800	2000
	500	500
	355	355
	1445	1727
	3070	3210
	4375	4681
	495	529
	1510	1574
	1560	1636
	SE	SE
	200/50-10	200/50-10
	15 x 4 <sup>1</sup> / <sub>2</sub> -8	15 x 4 <sup>1</sup> / <sub>2</sub> -8
	2x	2x
	2	2
	942	942
	170	170
	3	3
	7	7
	2260	2260
	150	150
	3430	3350
	4080	4000
	1960	1960
	892	892
	460	460
	2782	2892
	1982	2092
	1142	1142
	40	40
	80	80
	800	800
	ISO II B	ISO II B
	1040	1040
	100	100
	110	110
	3309	3418
	3433	3542
	1627	1727
	-	-
	14	14
	16	16
	0.38	0.38
	0.6	0.6
	0.6	0.6
	0.47	0.47
	2300	1870
	2300	2120
	7480	7480
	7630	7630
	5.5	3.6
	9.5	7.1
	17	14.3
	28	24.5
	4.9	5.0
	4.2	4.3
	electr./ mech.	electr./ mech.
	2 x 4	2 x 4
	9	9
	DIN 43531 A	DIN 43541 A
	48	48
	690 (600-750)	690 (600-750)
	1013	1013
	Stilltronic-SCR	Stilltronic-SCR
	170	170
	pin	pin

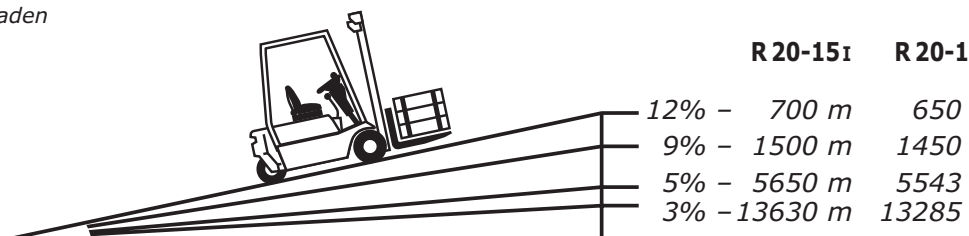
### Gradient performance (dry, concrete surface = coefficient of friction 0.8, b [R 20-15 : 500 A/h])

unladen



**Example** (R20-16 with 1600 kg load): 9 % gradient, 10 m distance. This gradient is negotiable 145 times per hour.

laden



### Mast Types.

		Telescopic		Full fr	
		from	to	from	to
R 20-14/15/16	Rated lift	$h_3$ mm	2630-3530	3630-5430	2775-3575
	Closed mast height	$h_1$ mm	1860-2310	2360-3260	1860-2260
	Raised mast height	$h_4$ mm	3280-4180	4280-6080	3425-4225
	Free lift	$h_2/h_5$ mm	150		1230-1630
	Angle of tilt	$\alpha   \beta \ \chi^\circ$	3   7	3   9	3   7
R 20-14	Length	$l_2$ mm	1765		1765
	Lost load centre	$x$ mm	350		350
	Aisle width		3092		3092
	Pallets 1000 x 1200 wide   800 x 1200 long	$A_{st}$ mm	3092	3216	3092
R 20-15	Length	$l_2$ mm	1873		1873
	Lost load centre	$x$ mm	350		350
	Aisle width		3200		3200
	Pallets 1000 x 1200 wide   800 x 1200 long	$A_{st}$ mm	3200	3324	3200
R20-16	Length	$l_2$ mm	1982		1982
	Lost load centre	$x$ mm	355		355
	Aisle width		3309		3309
	Pallets 1000 x 1200 wide   800 x 1200 long	$A_{st}$ mm	3309	3433	3309
R 20-18	Rated lift	$h_3$ mm	2630-3530	3630-5430	2675-3475
	Closed mast height	$h_1$ mm	1860-2310	2360-3260	1860-2260
	Raised mast height	$h_4$ mm	3288-4180	4280-6080	3343-4143
	Free lift	$h_2/h_5$ mm	150		1212-1612
	Angle of tilt	$\alpha   \beta \ \chi^\circ$	3   7	3   9	3   7
R 20-20	Length	$l_2$ mm	1982		1982
	Lost load centre	$x$ mm	355		355
	Aisle width		3309		3309
	Pallets 1000 x 1200 wide   800 x 1200 long	$A_{st}$ mm	3309	3433	3309
R 20-20	Rated lift	$h_3$ mm	2550-3350	3430-5330	2670-3570
	Closed mast height	$h_1$ mm	1860-2260	2310-3260	1860-2310
	Raised mast height	$h_4$ mm	3200-4000	4100-6000	3320-4220
	Free lift	$h_2/h_5$ mm	150		1230-1680
	Angle of tilt	$\alpha   \beta \ \chi^\circ$	3   7	3   9	3   7
R 20-20	Length	$l_2$ mm	2092		2092
	Lost load centre	$x$ mm	365		365
	Aisle width		3418		3418
	Pallets 1000 x 1200 wide   800 x 1200 long	$A_{st}$ mm	3418	3542	3418

The models depicted in this brochure may contain special parts or attachments which are not supplied as standard.

attery 600 A/h

**6i R20-18i**

m 780 m

m 1540 m

m 3785 m

m 13675 m

ne hour

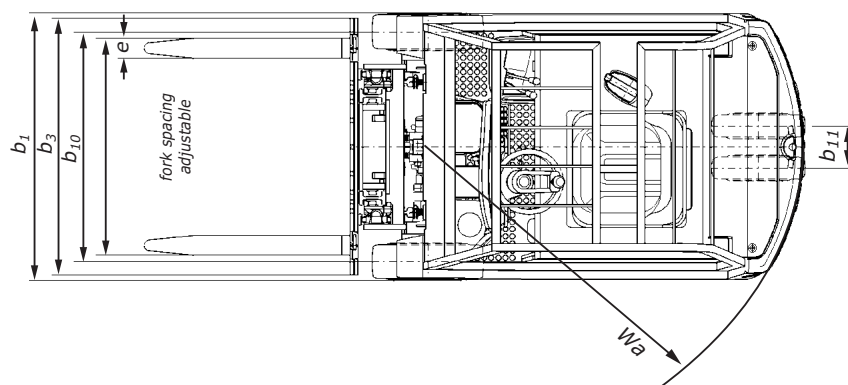
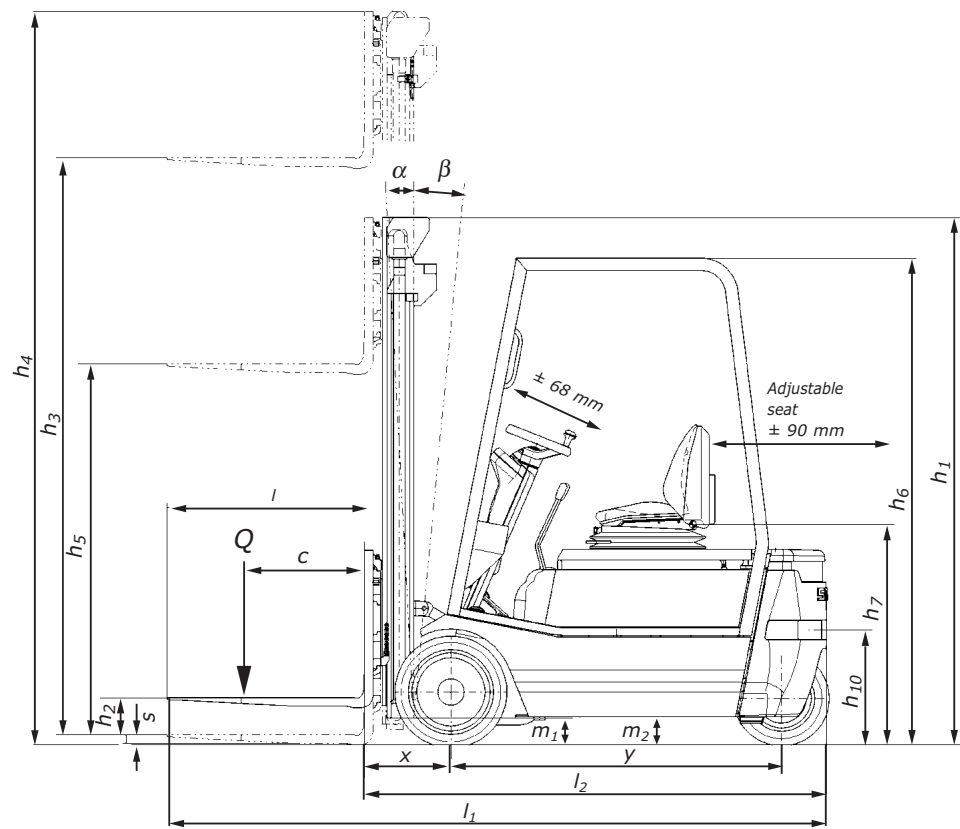
**6i R20-18i**

m 620 m

m 1400 m

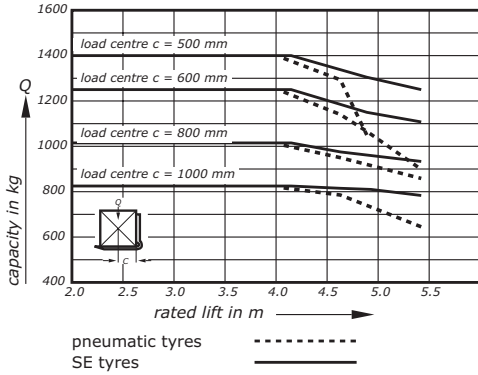
m 5400 m

m 11270 m

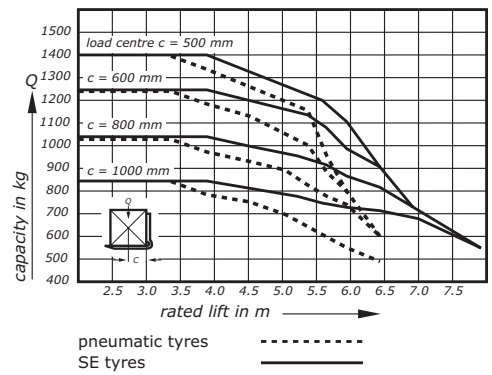


Lift height		Triple			
from	to	from	to		
3675-4075		4020-8020			
2310-2510		1860-3260			
4325-4725		4670-8670			
1680-1880		1230-2630			
3	9	3	5		
65		1785			
70		370			
3216		3110	3325		
73		1893			
80		370			
3324		3218	3343		
82		2002			
85		375			
3433		3327	3452		
3575-3975		3870-5370	5665-8065		
2310-2510		1860-3260	2460-3260		
4243-4643		4670-6170	6330-8730		
1662-1862		1212-1712	1830-2630		
3	9	3	5		
82		2002	2014		
85		375	387		
3433		3327	3452	3338	3463
3670-4370		3865-8065			
2360-2710		1860-3260			
4320-5020		4530-8730			
1730-2080		1230-2630			
3	9	3	5		
82		2114			
85		387			
3542		3438	3563		

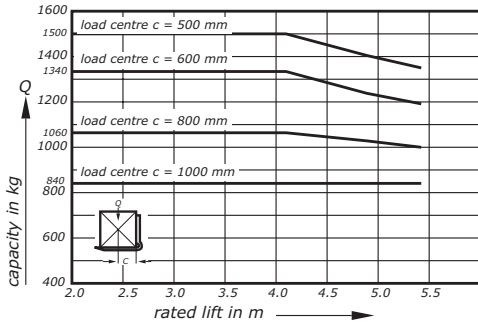
**Capacity Chart R 20-14** Telescopic/Full free lift mast



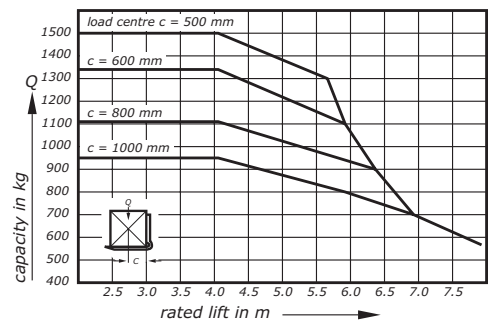
**Capacity Chart R 20-14** Triple mast



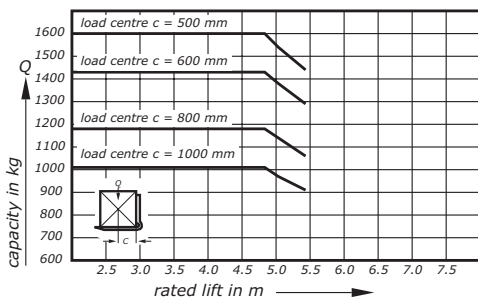
**Capacity Chart R 20-15** Telescopic/Full free lift mast



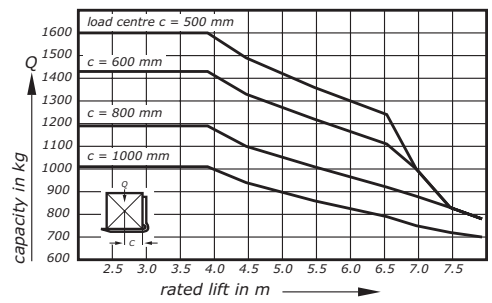
**Capacity Chart R 20-15** Triple mast



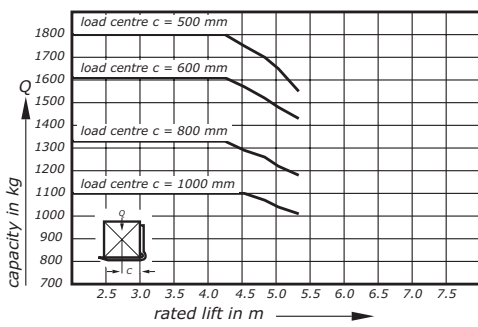
**Capacity Chart R 20-16** Telescopic/Full free lift mast



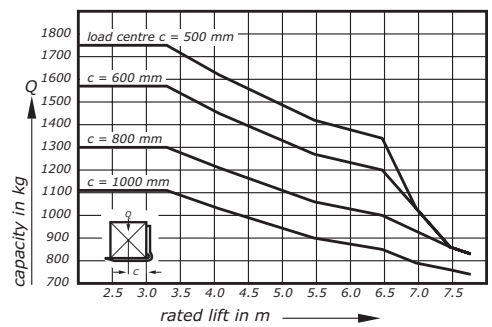
**Capacity Chart R 20-16** Triple mast



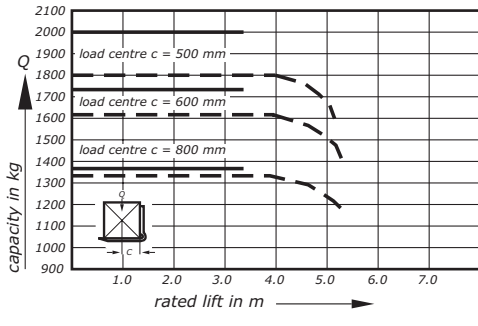
**Capacity Chart R 20-18** Telescopic/Full free lift mast



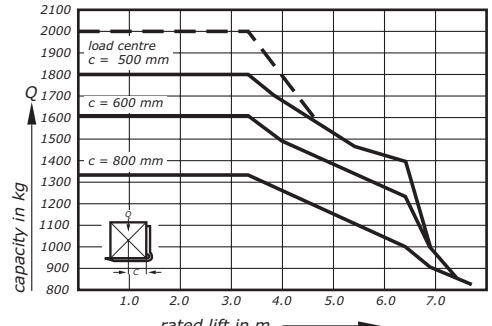
**Capacity Chart R 20-18** Triple mast



**Capacity Chart R 20-20** Telescopic/Full free lift mast



**Capacity Chart R 20-20** Triple mast



————— Tele up to 2240 mm  
 - - - - - Tele/full free lift from 2290 mm

————— up to closed height of 2190 mm  
 - - - - - over closed height of 2240 mm



#### ■ Dual motor front wheel drive.

With a 48 volt battery and dual motor front wheel drive, the R20 is a high performance machine.

Two heavy duty drive motors provide powerful traction, particularly on steep slopes.

The tractive power of the drive motors is precisely matched to the movement of the steering, i.e. at a 90° steering lock both drive motors turn the truck actively into the corner. This makes for sensitive operation in narrow aisles and gives better manoeuvrability.

- Speed and torque can be regulated independently of each other, allowing sensitive driving, powerful acceleration and wear free electrical braking using only the drive pedal.

- High efficiency regenerative braking (energy recovery) of up to 10% is possible. When plugging or braking, or if the drive pedal is released, energy flows back into the battery to give the R20 a greater working range from one battery charge. It is often possible to use a smaller battery.

#### ■ Electrics.

The digital electrical system allows simple adaptation to altered operating conditions. The exchange of information between electrical assemblies, e.g. between the drive controller and the cockpit, is achieved using the CAN bus system (Controller Area Network) already used successfully in other types of vehicle. The number of cables and plug connectors is reduced in comparison to the previous system and thus reliability is increased. In addition, it is easy to implement variants to the electrical equipment.

#### ■ Mast.

STILL clear view masts in telescopic, HiLo and triplex designs for every application:

- Telescopic: the mast suitable for most applications. Economical mast design.
- HiLo: for high stacking under low ceilings. Utilises the space right up to the roof.
- Triplex: for applications with low doorways and greater stacking heights. Utilises the space right up to the roof.
- Fork carriage: The fork carriage, completely redesigned for this truck, gives a clear view onto the load being picked up thanks to its optimised profiles. Hydraulic hoses for attach-

ments are run in the dead visibility area of the mast sections – with no hose reels – for wear-free operation.



#### ■ Steering.

- The steering operates on the hydrostatic principle with a priority valve.

- The pump operates "on demand" – i.e. only when the steering wheel is moved – for optimal energy economy.

- 90° steering makes the R20 very manoeuvrable for use in tight production areas and storage space.

- Extremely safe and reliable operation due to the fully encapsulated steering system, protected against dirt and damp.

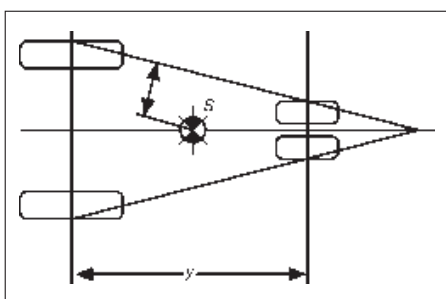
#### ■ Hydraulics.

- Pump motor speed precisely follows valve lever position to match demand exactly, thereby conserving energy to give longer operation from a battery charge. Working safety is increased due to precision hoisting.

- The oil is filtered through a suction filter before going to the hydraulic units, reducing wear to a minimum.

#### ■ Stability.

Because of its high stability the R20 can travel quickly around corners, allowing a fast throughput of goods.



Long wheel-base and twin rear wheel design means that the tipping lines are spread wide apart and are thus a long way from the truck's centre of gravity. The greater this distance, the higher the stability.

#### ■ Driver's compartment.

- The cockpit has an LCD display and a facility for the driver to select from a range of pre-set drive performance levels. He can select the most suitable acceleration or braking and travel speeds from 5 pre-set options. Further adjustments of the drive parameters to suit the application conditions can be made by simply altering the software.

- The drive pedal\* sets the travel speed required by the driver, which is unaffected by either load or road surface.

- The up-to-date driving characteristics of the R20 allow the truck to be held on a gradient or on uneven roadways without the use of hand or foot brakes.



- Roomy footwell with inclined floor plate and non-slip rubber matting.

- Automotive style hand brake to the right of the driver's seat.

- Low step gives convenient entry and exit to the spacious footwell. Inclined floor plate helps reduce leg fatigue.

- Comfortable seat adjusts to the driver's weight. Generous squab length gives added support to the thighs and reduces fatigue.

- Adjustable steering column plus reach and rake adjustment for the seat provide an extremely comfortable working position for any physique.

#### ■ Service.

The servicing interval is doubled – from the previous 500 operating hours up to 1000. This has been made possible by improvements in quality and by reducing the number of components which require maintenance.

\* Available with dual pedal control on request.