

Standard and Optional Equipment

Standard Equipment

- Adjustable PVC seat
- Linde twin-pedal drive and central control lever
- Combination dry-type intake air filter
- Suction-type intake air filter
- Power steering
- Combi-instrument on dashboard incorporating operating hour meter and control lights for all important truck functions.
- Super elastic tyres
- Fork arms l=1000mm
- Standard fork carriage
- Ergonomic console
- Adjustable steering column
- Truck lighting China version

Optional Equipment

- Other lift height with Standard/Duplex/Triplex mast
- Integrated side-shifter
- Load backrest
- One or two additional hydraulic circuits available for all mast type
- Working lamp
- Special paint
- Air pre-filter

Other Options Available on Request



H35D, H40D, H45D, H50D Diesel Forklift Trucks 3500, 4000, 4500, 5000kg

352

Linde Material Handling

Linde

Safety

Routine deceleration and service braking by the automatic transmission, parking brake automatically engaged when the engine is switched off. Low noise levels ensures the instructions and acoustic signals are easily discernible.

Performance

Advanced engine combined with the original hydrostatic transmission system enables the operator to use the truck's vast potential to maximize productivity. All mast functions are conveniently operated with the central control lever.

Comfort

Thanks to Linde unique twin pedal system, central control lever, multifunction dashboard and some other ergonomic equipment, Linde brings driver excellent drive experience.

Reliability

Engineered to work in heavy sustained operation, the truck equipped with maintenance free drive system. And the structure optimized by the Finite Element Method.

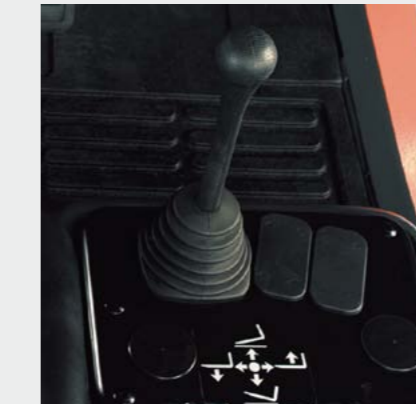
Service

Effective and cost-efficient at work: The original Linde hydrostatic drive cost does away with gearshift, clutch, differential and drum brakes. As a result, servicing costs are low, truck uptime is high and productivity is enhanced.

Features

Original Linde hydrostatic drive

- Responsive, smooth and precise driving
- No clutch, differential or drum brakes;
- Hydrostatic drive system, well proven in severest duty
- Low maintenance costs and long life

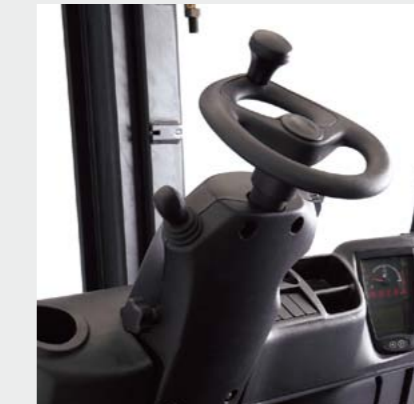


Linde central control lever

- Accurate and safe load handling
- Automatic optimization of engine speed on lift, lower and tilt motions
- Traction and lift functions completely separate

High-economy engine technology

- Diesel engine incorporating most advanced technology
- High torque
- Low fuel consumption



Adjustable steering column

- Adjustable steering column
- Parking brake lever on the right side of steering column, easy to operate
- Direction light switch on the left side of steering column

Stability

- Chassis designed and built for maximum strength and durability
- The truck has passed stringent CE certification tests
- Durable materials and components provide low centre of gravity for excellent stability and high residual capacities



Ergonomic console

- With cup holder and compartment
- Multifunction dashboard can display truck status, diesel level, etc.
- Switch button and dashboard are well protected (IP 67)

Subject to modification in the interests of progress, illustration and technical details not binding for actual constructions and may show the optional equipments.

352_H3.5, H40, H45, H50_D-01_201006

Linde Material Handling 林德叉车

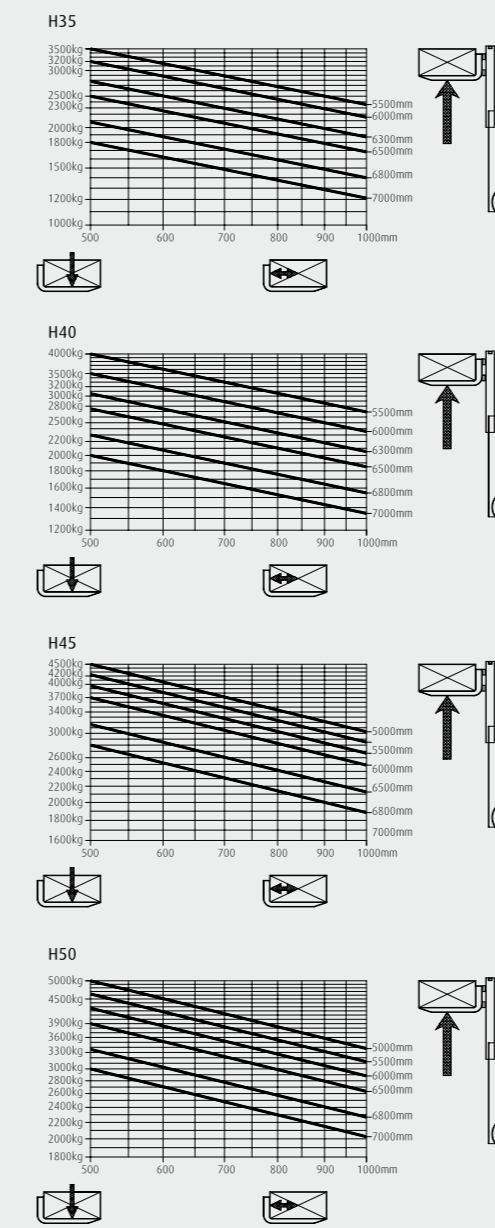
Linde

Technical Data

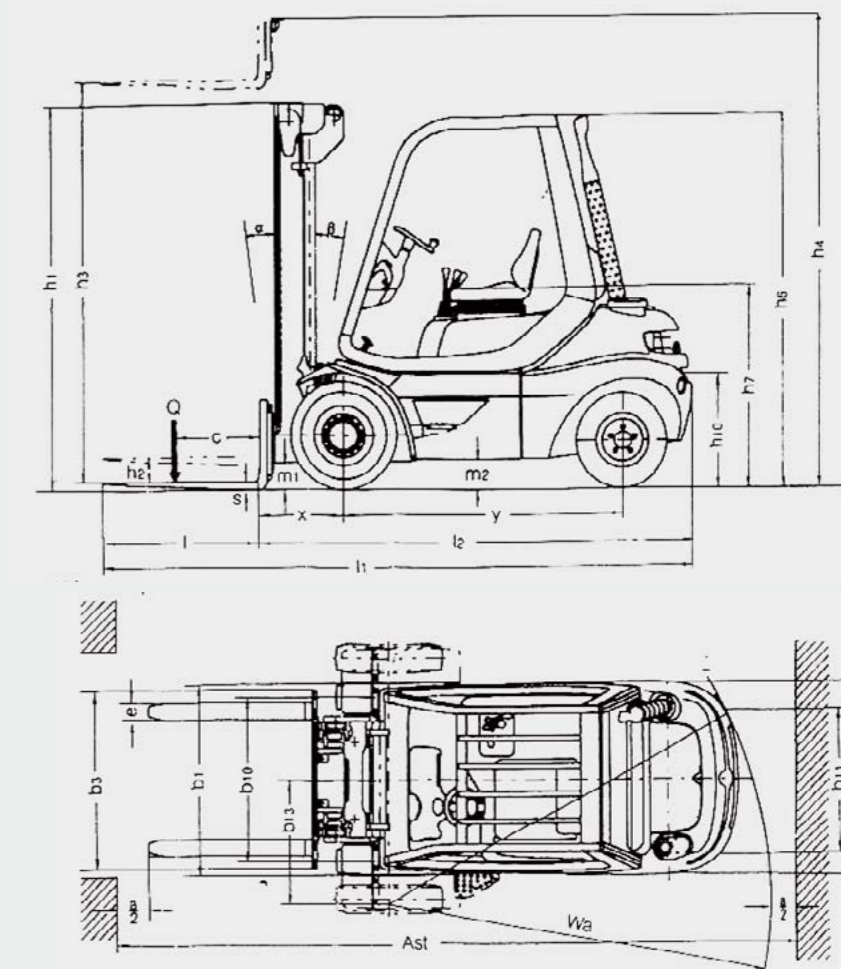
Characteristics	1.1	Manufacturer	Linde	Linde	Linde	Linde	
	1.2	Model designation	H35D	H40D	H45D	H50D	
	1.3	Power unit: Battery, diesel, gasoline, LP gas, AC	Diesel	Diesel	Diesel	Diesel	
	1.4	Operation	Seated	Seated	Seated	seated	
	1.5	Load capacity	Q(t)	3.5	4.0	4.5	5.0
	1.6	Load center	c(mm)	500	500	500	500
	1.8	Axle centre to fork face	x(mm)	528	528	528	538
	1.9	Wheelbase	y(mm)	1900	1935	1975	2015
	Weights	2.1	Service weight	kg	6010	6280	6770
2.2		Axle load with load, front/rear	kg	8400/1110	9120/1160	10050/1220	10950/1350
2.3		Axle load without load, front/rear	kg	2990/3020	2980/3300	3160/3610	3200/4100
Tyres	3.1	Tyre: SE=(super elastic), P=(pneumatic)	SE	SE	SE	SE	
	3.2	Tyre size, front	inch	250-15	250-15	300-15	300-15
	3.3	Tyre size, rear	inch	250-15	250-15	250-15	250-15
	3.5	Wheels, number front/rear (X=drive)		2x/2	2x/2	2x/2	2x/2
	3.6	Track width, front/rear	b10/b11mm	1221/1120	1221/1120	1205/1120	1205/1120
	Dimensions	4.1	Mast tilt, forward/backward	α / β (°)	5/7	5/7	5/7
4.2		Height of mast, lowered	h1(mm)	2382	2382	2435	2435
4.3		Free lift	h5(mm)	150	150	150	150
4.4		Lift	h3(mm)	3250	3250	3150	3150
4.5		Height of mast, extended	h4(mm)	4117	4117	4010	4010
4.7		Height of overhead guard (cabin)	h6(mm)	2400	2400	2420	2420
4.8		Height of drive seat	h7(mm)	1300	1300	1322	1322
4.12		Tow coupling height	h10 [mm]	770	770	770	770
4.20		Length to fork face	l2(mm)	2925	2965	3010	3095
4.21		Overall width	b1/b2(mm)	1463	1463	1463	1463
4.22		Fork dimensions, sxe1	s/e/(mm)	50x150x1000	50x150x1000	50x150x1000	60x150x1000
4.23		Fork carriage to DIN 15173		3A	3A	3A	3A
4.24		Width of fork carriage	b3(mm)	1350	1350	1350	1350
4.31		Ground clearance with load, mast	m1(mm)	156	155	207	205
4.32		Ground clearance with load, center of wheelbase	m2(mm)	226	225	250	250
4.33	Aisle width, 1000x1200mm across forks	Ast(mm)	4328	4341	4380	4488	
4.34	Aisle width, 800x1200mm along forks	Ast(mm)	4528	4541	4580	4688	
4.35	Turning radius	Wa(mm)	2600	2613	2652	2750	
4.36	Minimum pivoting point distance	b13(mm)	770	775	780	820	
Performances	5.1	Travel speed, with/without load	km/h	21/21	21/21	24/24	21/21
	5.2	Lifting speed, with/without load	m/s	0.55/0.58	0.53/0.58	0.51/0.58	0.44/0.51
	5.3	Lowering speed, with/without load	m/s	0.55/0.55	0.55/0.55	0.55/0.55	0.59/0.54
	5.5	Tractive force, with/without load	N	26100/19500	28500/21330	29300/21500	26950/23750
	5.7	Climbing ability, with/without load	%	31/25	29/25	22/24	21/25
	5.9	Acceleration time, with/without load	s	5.0/4.3	5.4/4.5	5.7/4.9	6.0/5.0
Drive	7.1	Manufacture of engine/type	kW	Perkins 1104C-44	Perkins 1104C-44	Perkins 1104C-44	Perkins 1104C-44
	7.2	Engine performance according to ISO 1585	kW	51.5	51.5	51.5	51.5
	7.3	Rated speed	rpm	2100	2100	2100	2100
	7.4	Number of cylinders/displacement	cm3	4/4400	4/4400	4/4400	4/4400
	7.5	Fuel consumption to VDI (60 work cycles)	l/h	4.0	4.2	4.6	4.2
Others	8.1	Type of drive control		Hydrostatic infinitely variable			
	8.2	Working pressure for attachments	bar	190	205	220	235
	8.4	Noise level at operator's ear	dB(A)	82	82	82	82

Figures for standard version may vary when options equipment is fitted
 1) For standard mast over 5450mm (incl. 5450mm), truck max. speed limited to 21km/h
 2) For H45D with standard over 6300mm (incl. 6300mm), side shifter as special equipment (capacity diagram on this datasheet not applied)

Standard & duplex mast, triplex mast



Lifting Capacity Diagram for Standard/Duplex Mast/Triplex Mast with Standard Fork Carriage



Mast Table

Standard masts (in mm)		H35/H40				H45/H50			
Lift height	h3	3250	3650	4350	5450	3150	3650	4350	5450
Retracted height with 150mm free lift	h1#	2382	2582	2932	3482	2435	2685	3035	3585
Free lift	h2	150	150	150	150	150	150	150	150
Height of mast, extended	h4	4117	4517	5217	6167	4010	4510	5210	6310

Duplex masts (in mm)		H35/H40				H45/H50			
Lift height	h3	2850				2850			
Retracted height	h1	2137				2240			
Free lift	h2	1270				1320			
Height of mast, extended	h4	3717				3710			

Triplex mast (in mm)		H35/H40				H45/H50			
Lift height	h3	4225	5275	5725	6325	4075	5275	5725	6325
Retracted height	h1	2187	2537	2687	2887	2240	2640	2790	2990
Free lift	h2	1320	1670	1820	2020	1320	1720	1870	2070
Height of mast, extended	h4	5092	6142	6592	7192	4935	6135	6585	7185