



Diesel and LPG Forklift Trucks 5500, 6000 and 7000 lb. Capacity

H25D/T 600 *EVO*, H30D/T *EVO*, and H35D/T *EVO*

SERIES 393-02

Safety

This truck features the exclusive Linde ProtectorFrame overhead guard and frame system that offers unparalleled protection for the driver. The top mounted tilt cylinders allow for a mast design which maximizes all-around visibility, while optimizing truck stability.

Performance

Advanced engine and drive technology combined with the original Linde Load Control system enable the operator to utilize the truck's vast potential for greatest possible productivity. The exclusive Linde dual pedal travel control allows smooth directional changes and precise maneuvering, even in the tightest areas.

Comfort

A comfortable operator is a productive and safe operator. That's why the 393-02 series is designed to the latest ergonomic standards. A multitude of features such as the armrest, full suspension seat, ample foot room, and an adjustable steering column, are all part of a comprehensive effort to keep the operator comfortable and secure.



Low Maintenance & Outstanding Durability

Exclusive features like Linde hydrostatic drive, neoprene mounting of axles, and mast & tilt cylinders, all contribute extensively to low maintenance. The longest maintenance intervals in the industry are just one result of applied know-how and engineering. Even in the harshest applications this truck series offers a proven combination of reliability and durability resulting in long service life.

Standard and optional equipment

Standard equipment:

Linde dual pedal travel control

Linde Load Control (LLC)

High comfort, fully adjustable suspension seat

Tilt steering column

Low effort power steering

Linde operator protector frame

High-performance hydraulic filters

3-way regulated catalytic converter (LPG engine)

Load backrest (LBR)

Comprehensive, anti-glare display

Overhead tilt cylinders

Headlights

Zero maintenance mast and tilt cylinder mounting

3-function hydraulic control valve with "finger-tip control"

handles and armrest

Ultra sonic fuel level indicator (LP)

Optional:

Single pedal travel control

Simple, dual and triple masts and carriages

Hang-on sideshifter

Various special fork sizes

Integrated sideshifter

Additional hydraulic functions

Tilt memory

Variety of operator cabs

Cab heater, defroster

Air conditioning

Cab/overhead guard protection kits

Additional lighting

BU alarm

Mirrors

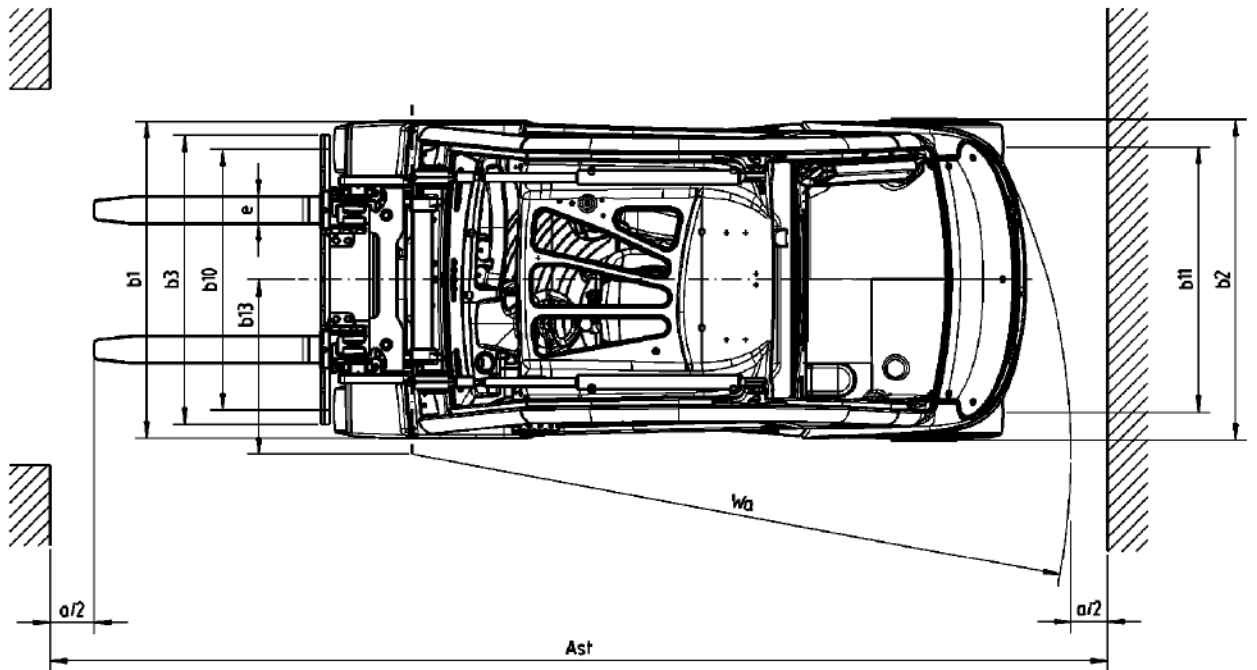
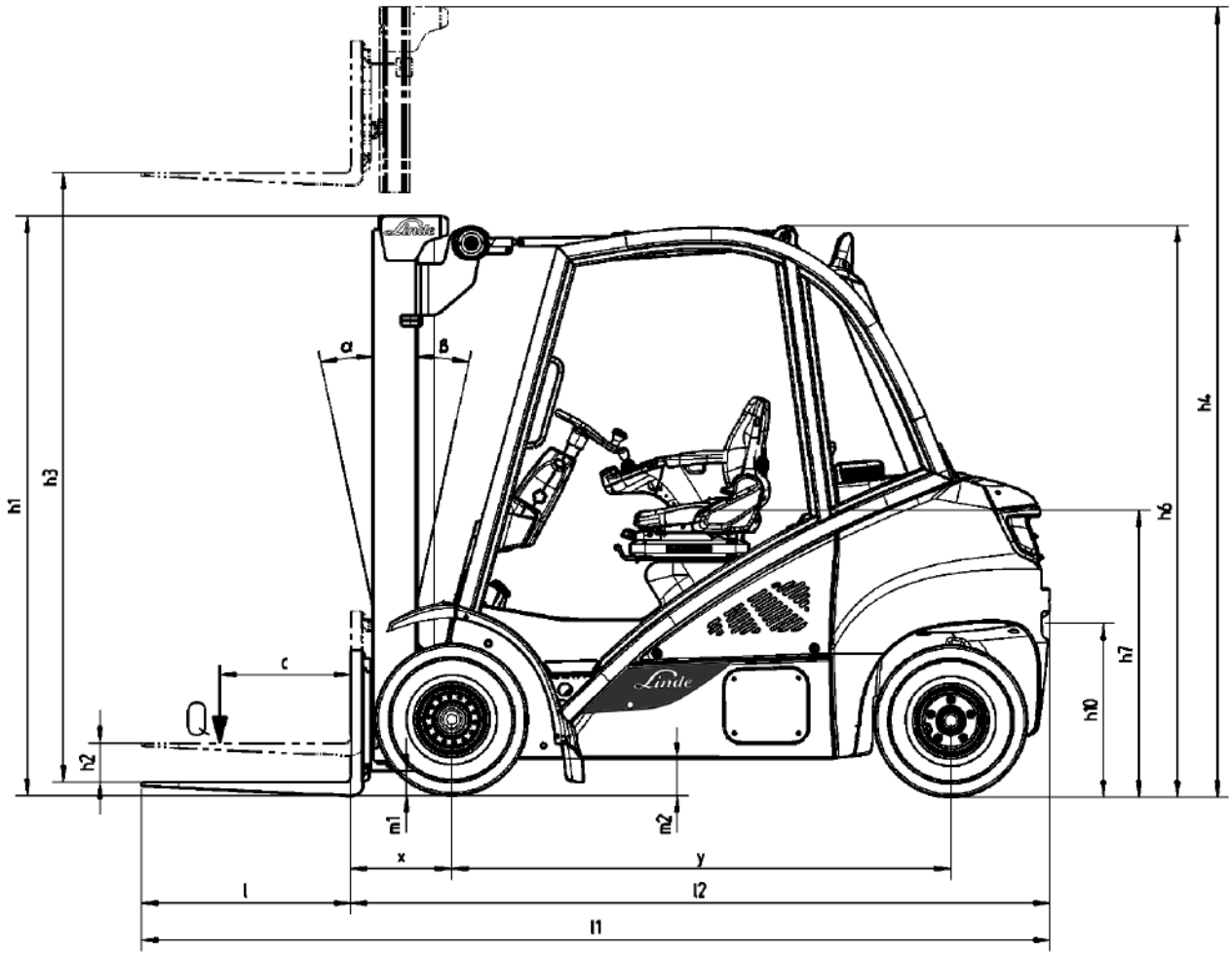
Special packages; recycling, foundry, etc

Tire options; twin, radial, pneumatic

Reduced speed settings

Linde Engine Protection Systems (LEPS)

Other options available on request



Technical Data

February 2013

SERIES 393-02

Characteristics	1.1	Manufacturer	
	1.2	Model designation	
	1.3	Power unit: battery, diesel, gasoline, LP gas, AC	
	1.4	Operation: manual, pedestrian, rider standing, rider seated, order picker	
	1.5	Load capacity	Q (lb)
	1.6	Load center	c (in)
	1.8	Load distance (center of drive axle to fork face)	x (in)
	1.9	Wheelbase	(in)
	Weight	2.1	Service weight
2.2		Axle loading with load, front/rear	(lb)
2.3		Axle loading without load, front/rear	(lb)
Wheels & Tires	3.1	Tire type - front/rear: SE (cushion super elastic)	
	3.2	Tire size: front	(in)
	3.3	Tire size: rear	(in)
	3.5	Wheels: number front/rear (x = driven)	
	3.6	Track width, front	b10 (in)
	3.7	Track width, rear	b11 (in)
	Dimensions	4.1	Mast/fork carriage tilt: forward/back
4.2		Height of mast lowered	h1 (in)
4.3		Free lift	h2 (in)
4.4		Lift	h3 (in)
4.5		Height of mast extended (includes LBR)	h4 (in)
4.7		Height of overhead guard/cab (Add 2.0" for top wiper)	h6 (in)
4.8		Height of seat	h7 (in)
4.12		Height of tow coupling	h10 (in)
4.19		Overall length with 42" forks	l1 (in)
4.20		Length to fork face	l2 (in)
4.21		Overall width, front/rear	b1/b2 (in)
4.22		Fork dimensions	s/e/l (in)
4.23		Fork carriage: class	
4.24		Width of fork carriage	b3 (in)
4.31		Ground clearance under mast, with load	m1 (in)
4.32		Ground clearance, center of wheelbase	m2 (in)
4.33		Aisle width, with 48" load	Ast (in)
4.34		Aisle width, with other load lengths	
4.35		Outer turning radius	Wa (in)
Performance		5.1	Travel speed, with/without load
	5.2	Lifting speed, with/without load	(fpm)
	5.3	Lowering speed, with/without load	(fpm)
	5.5	Drawbar pull, with/without load	(lbs)
	5.7	Climbing ability, with/without load	(%)
	5.9	Acceleration, with/without load	(sec)
	5.10	Service brake	
Engine	7.1	Engine manufacturer/type	
	7.2	Engine rating	(hp)
	7.3	Rated speed	(rpm)
	7.4	Number of cylinders/Engine displacement	(cu inches)
Other	8.1	Traction control	
	8.2	Working pressure for attachments	(psi)
	8.3	Oil flow attachments	(gpm)
	8.4	Noise level at driver's ear	(dB)

Footnotes

¹ Optional tires available

² 4x with twin tires

³ 47.4 with twin tires

⁴ 5° with triplex mast

⁵ Low ohg available

⁶ 63.4 with twin tires

⁷ Wider carriages available

⁸ Including 48" load or forks, and 8" operational clearance

⁹ 0 mph to maximum speed

¹⁰ Add load length, add operational clearance

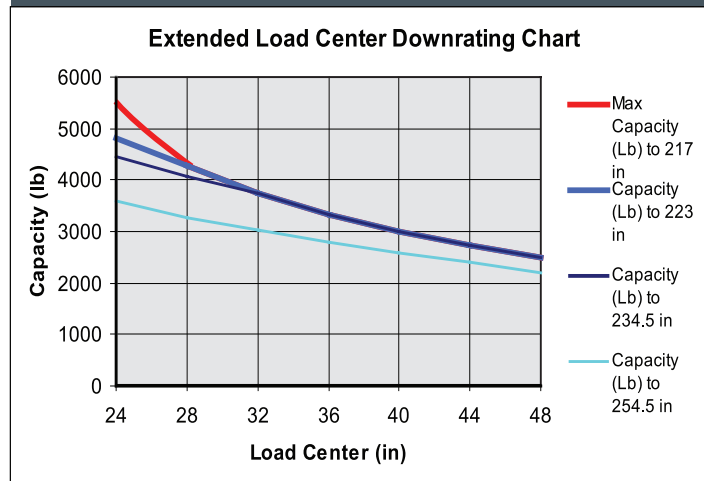
SERIES 393-02 (H25 D/T, H30D/T, H35D/T))

Linde		Linde		Linde		1.1
H25D 600	H25T 600	H30D	H30T	H35D	H35T	1.2
Diesel	LPG	Diesel	LPG	Diesel	LPG	1.3
Seated		Seated		Seated		1.4
5500	5500	6000	6000	7000	7000	1.5
24	24	24	24	24	24	1.6
17.5	17.5	17.5	17.5	17.7	17.7	1.8
74.9	74.9	75.9	75.9	77.4	77.4	1.9
8531	8487	9303	9259	10317	10284	2.1
12500 / 1543	12412 / 1587	14153 / 1763	14065 / 1807	15961 / 2072	15884 / 2116	2.2
4254 / 4276	4166 / 4321	4299 / 5004	4210 / 5048	4519 / 5798	4442 / 5842	2.3
SE ¹		SE ¹		SE ¹		3.1
27 x 10-12		27 x 10-12		27 x 10-12		3.2
23 x 9-10		23 x 9-10		23 x 9-10		3.3
2 x / 2 ²		2 x / 2 ²		2 x / 2 ²		3.5
39.7 ³	39.7 ³	39.7 ³	39.7 ³	39.7 ³	39.7 ³	3.6
36.7	36.7	36.7	36.7	36.7	36.7	3.7
5.0 / 8.0 ⁴	5.0 / 8.0 ⁴	5.0 / 8.0 ⁴	5.0 / 8.0 ⁴	5.0 / 8.0 ⁴	5.0 / 8.0 ⁴	4.1
See mast table		See mast table		See mast table		4.2
See mast table		See mast table		See mast table		4.3
See mast table		See mast table		See mast table		4.4
h3 + 48"		h3 + 48"		h3 + 48"		4.5
87 ⁵	87 ⁵	87 ⁵	87 ⁵	87 ⁵	87 ⁵	4.7
43.5	43.5	43.5	43.5	43.5	43.5	4.8
27.5	27.5	27.5	27.5	27.5	27.5	4.12
149.4	149.4	150.4	150.4	152	152	4.19
107.4	107.4	108.4	108.4	110	110	4.20
49.5 ⁶ / 49.5	49.5 ⁶ / 49.5	49.5 ⁶ / 49.5	49.5 ⁶ / 49.5	49.5 ⁶ / 49.5	49.5 ⁶ / 49.5	4.21
1.75 / 4 / 42	1.75 / 4 / 42	1.75 / 4 / 42	1.75 / 4 / 42	1.75 / 4 / 42	1.75 / 4 / 42	4.22
Class 2	Class 2	Class 3	Class 3	Class 3	Class 3	4.23
45.3 ⁷	45.3 ⁷	45.3 ⁷	45.3 ⁷	45.3 ⁷	45.3 ⁷	4.24
4.7	4.7	4.7	4.7	4.6	4.6	4.31
6.8	6.8	6.8	6.8	6.7	6.7	4.32
168.7 ⁸	168.7 ⁸	169.7 ⁸	169.7 ⁸	171.1 ⁸	171.1 ⁸	4.33
112.7 ¹⁰	112.7 ¹⁰	113.7 ¹⁰	113.7 ¹⁰	115.10 ¹⁰	115.10 ¹⁰	4.34
95.3	95.3	96.2	96.2	97.5	97.5	4.35
13.75 / 13.75	13.75 / 13.75	13.75 / 13.75	13.75 / 13.75	13.75 / 13.75	13.75 / 13.75	5.1
92.5 / 94.5	104.3 / 110	104.3 / 110	104.3 / 110	94.5 / 98.5	94.5 / 98.5	5.2
106.3 / 102.3	106.3 / 102.3	106.3 / 102.3	106.3 / 102.3	106.3 / 102.3	106.3 / 102.3	5.3
4502 / 3405	4502 / 3405	4448 / 3439	4448 / 3369	4448 / 3617	4448 / 3554	5.5
32 / 33	32 / 33	27 / 30	26 / 30	24 / 28	23 / 28	5.7
5.6 / 4.8 ⁹	6.0 / 5.2 ⁹	5.6 / 4.8 ⁹	6.1 / 5.3 ⁹	5.7 / 4.9 ⁹	6.1 / 5.3 ⁹	5.9
Hydrostatic		Hydrostatic		Hydrostatic		5.10
VW / CPYB	VW / BEF	VW / CPYB	VW / BEF	VW / CPYB	VW / BEF	7.1
59	53	59	53	59	53	7.2
2700	2600	2700	2600	2700	2600	7.3
4 / 120	4 / 115.7	4 / 120	4 / 115.7	4 / 120	4 / 115.7	7.4
Hydrostatic		Hydrostatic		Hydrostatic		8.1
2465	2465	2465	2465	2465	2465	8.2
10.5	10.5	10.5	10.5	10.5	10.5	8.3
77	77	77	77	77	77	8.4

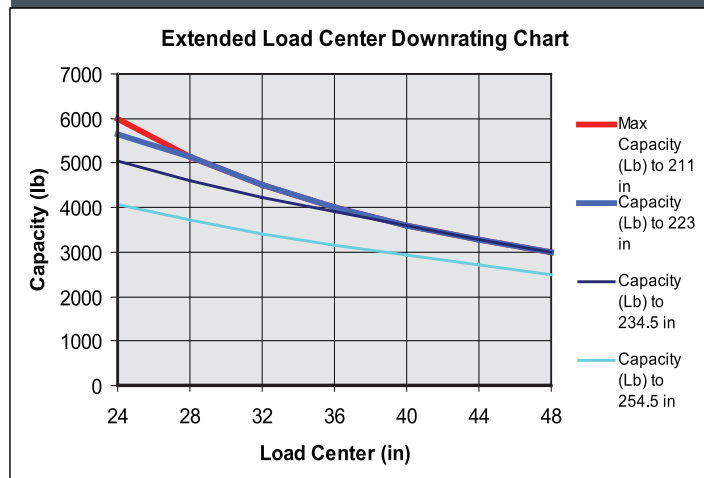
Downrating Charts*

Reference SE tires with standard carriage and forks only.

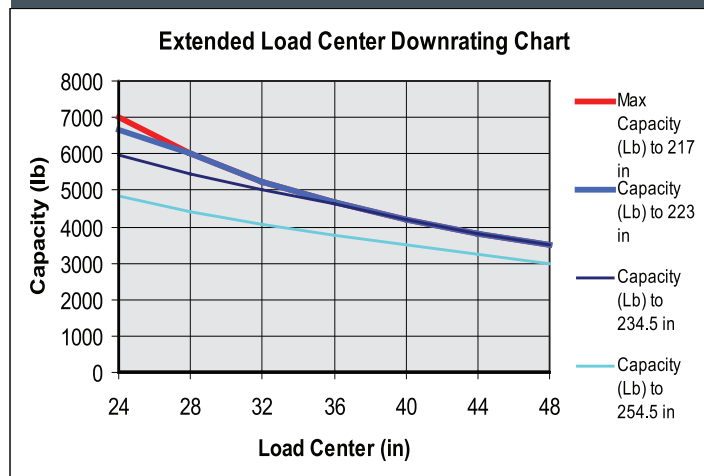
H25D/T 600 (Triple Mast)



H30D/T (Triple Mast)



H35D/T (Triple Mast)



* For quick reference only, contact factory for detailed ratings.

** Capacity ratings can be affected by changing forks, load center, and/or drive tires.

Capacity*

393-02 Series Model H25D/T 600

1.5" x 4" x 42" Forks**
SE 27 x 10-12 Drive Tires**

Mast Increments

h1	h3	h2	
88.3	124.0	0.0	Simple
92.2	132.0	0.0	Simple
98.1	143.7	0.0	Simple
102.0	151.6	0.0	Simple
86.3	122.7	56.1	Dual
90.2	130.5	60.0	Dual
96.1	142.3	65.9	Dual
100.1	150.2	69.9	Dual
86.3	183.3	56.1	Triple
88.3	189.2	58.1	Triple
90.2	195.1	60.0	Triple
96.1	210.9	65.9	Triple

Capacity (lb) @ 24" Load Center**

Std. Carriage*	Integral SS Carriage*	Hang-on SS Carriage*
5500	5500	5100
5500	5500	5100
5500	5500	5100
5500	5500	5100
5500	5500	5100
5500	5500	5100
5500	5500	5100
5500	5500	5100
5500	5500	5100
5500	4925	5100

393-02 Series Model H30D/T

1.75" x 4" x 42" Forks**
SE 27 x 10-12 Drive Tires**

Mast Increments

h1	h3	h2	
88.3	124.0	0.0	Simple
92.2	132.0	0.0	Simple
98.1	143.7	0.0	Simple
102.0	151.6	0.0	Simple
86.3	122.7	56.1	Dual
90.2	130.5	60.0	Dual
96.1	142.3	65.9	Dual
100.1	150.2	69.9	Dual
86.3	183.3	56.1	Triple
88.3	189.2	58.1	Triple
90.2	195.1	60.0	Triple
96.1	210.9	65.9	Triple

Capacity (lb) @ 24" Load Center**

Std. Carriage*	Integral SS Carriage*	Hang-on SS Carriage*
6000	6000	5605
6000	6000	5605
6000	6000	5605
6000	6000	5605
6000	6000	5605
6000	6000	5605
6000	6000	5605
6000	6000	5605
6000	6000	5605
6000	5845	5605
6000	5055	5055

393-02 Series Model H35D/T

1.75" x 5" x 42" Forks**
SE 27 x 10-12 Drive Tires**

Mast Increments

h1	h3	h2	
88.3	124.0	0.0	Simple
92.2	132.0	0.0	Simple
98.1	143.7	0.0	Simple
102.0	151.6	0.0	Simple
86.3	122.7	56.1	Dual
90.2	130.5	60.0	Dual
96.1	142.3	65.9	Dual
100.1	150.2	69.9	Dual
86.3	183.3	56.1	Triple
88.3	189.2	58.1	Triple
90.2	195.1	60.0	Triple
96.1	210.9	65.9	Triple

Capacity (lb) @ 24" Load Center**

Std. Carriage*	Integral SS Carriage*	Hang-on SS Carriage*
7000	7000	6500
7000	7000	6500
7000	7000	6500
7000	7000	6500
7000	7000	6500
7000	7000	6500
7000	7000	6500
7000	7000	6500
7000	7000	6500
7000	6760	6500
7000	6000	6000

Features

Original Linde hydrostatic drive

- Responsive, smooth and precise driving
- No differential, no service brakes, no mechanical transmission parts
- Low maintenance cost, long service life



Linde ProtectorFrame

- Safe and robust chassis
- Incorporated access areas
- Unparalleled operator protection

Linde dual travel control

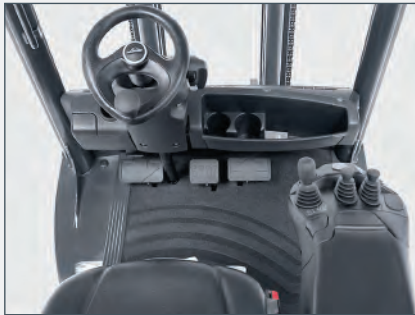
- Quick directional changes
- Short pedal stroke
- Increased productivity
- Limited operator fatigue

Linde Load Control (LLC)

- Accurate, safe load handling
- Effortless control of all hydraulic functions
- Traction and hydraulics operate completely independent from each other

High-efficiency engine

- Low exhaust emissions
- Low fuel consumption
- Most up-to-date engine monitoring and operating technology
- 10.5 G capacity fuel tank (diesel)



Operator compartment

- Designed to stringent ergonomic standards
- Spacious cab with generous leg room
- Outstanding all-around visibility

Linde Truck Control (LTC)

- Highly reliable electronics
- Outstanding dependability due to dual monitoring systems
- Easily adjustable performance parameters

Linde clear-view mast

- Superb visibility
- Exceptional residual capacity
- Electronic limiting of tilt angle



For more information on Linde material handling equipment, please contact:

KION North America Corporation
2450 West 5th North Street, Summerville, SC 29483
Phone: (843) 875-8000 Truck Sales Fax: (843) 875-8471
E-mail: trucksales.na@kiongroup.com
www.kion-na.com

ANSI: Standard truck meets all applicable mandatory requirements of ANSI/ITSDF B56.1 standards for powered industrial trucks.
NOTE: Performance data may vary due to motor and system efficiency tolerances. The performance depicted represents nominal values obtained under typical operating conditions. Metric dimensions are in millimeters unless otherwise specified. All metric dimensions are not direct equivalents due to rounding data. The descriptions and specifications included on this data sheet were in effect at the time of printing. Linde Material Handling North America Corporation reserves the right to make improvements and changes in specification or design without notice and without incurring obligation. Please check with your authorized Linde dealer for information on possible updates or revisions.