

Superelastic tyres and high ground clearance for combined warehouse and yard use

Optimal view, even with high loads, due to side-facing seat

Sensitive operation with SOLO-PILOT control lever

Assistance systems to adapt trucks to your specific application

Jungheinrich Curve Control for optimum stability

Driver's cab for frequent outdoor use (optional)



ETV C16/C20

Electric reach truck (1,600/2,000 kg)

Superelastic tyres, high ground clearance, space-saving design, high performance data and optimum ergonomic working conditions – these are the outstanding strengths of the Jungheinrich ETV C16 and ETV C20 reach trucks.

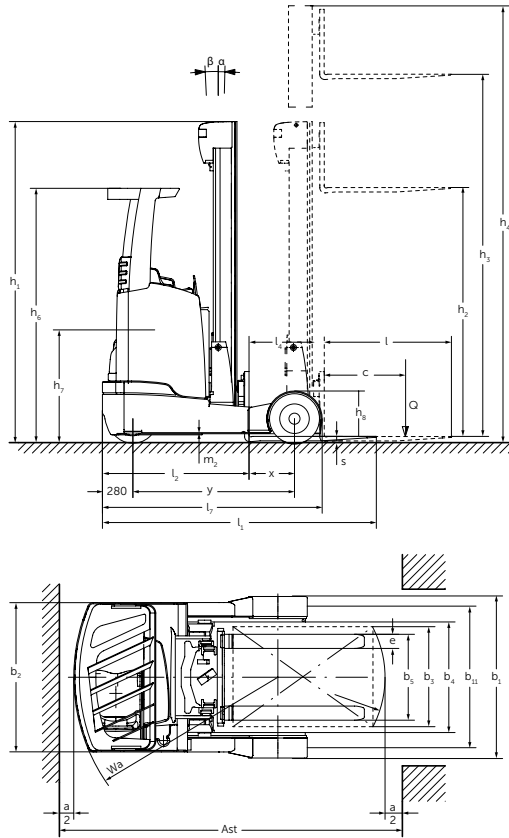
You benefit from advantages such as the following:

- Universal use: For example, our electric reach trucks with superelastic tyres are the ideal transport trucks for combined warehouse/yard use with different floor types. They will reliably transport your goods from A to B, whether on a smooth concrete floor in the warehouse or a bumpy asphalt surface around the HGV loading dock.
- Space-saving design with narrow working aisle widths from 2829 mm (according to VDI when picking up Euro pallets lengthways).

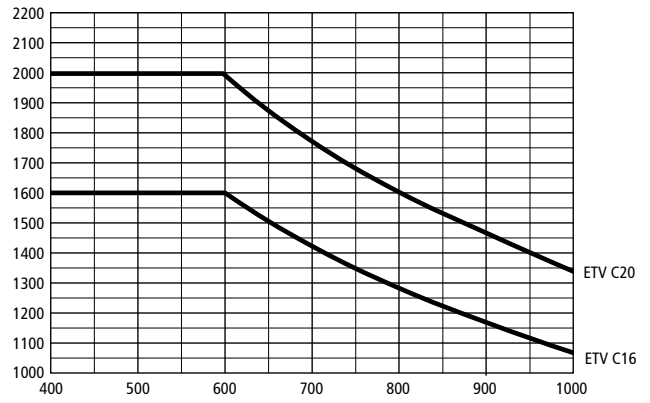
- Greater throughput while simultaneously reducing energy consumption: Optimum energy efficiency is achieved thanks to perfectly matched motors, controllers and software systems made by Jungheinrich.
- Easiest intuitive handling due to ergonomically configured displays and controls: Not only do the configuration and design of the instrument panel contribute to safety but they also provide excellent visibility.

Consequently, the Jungheinrich ETV C16 and ETV C20 reach trucks offer the best conditions for economical stacking and retrieval at great heights and in tight spaces. Whether handling pallets or operating in drive-through racking, whether for single-shift or multi-shift operation or for frequent outdoor use with the comfortable driver's cab (optional) – the ETV C16/C20 reach trucks offer the right solution for many special applications.

ETV C16/C20



Capacity (kg)



Load centre distance "c" in mm

Standard mast designs ETV C16/C20									
	Lift h_3 (mm)	Lowered mast height h_1 (mm)		Free lift h_2 (mm)		Extended mast height h_4 (mm)		Mast tilt forward / back α/β (°)	
		ETV C16	ETV C20	ETV C16	ETV C20	ETV C16	ETV C20	ETV C16	ETV C20
Triplex DZ	4250	-	2050	-	1320	-	4996	-	2/4
	4550	2050	-	1406	-	5194	-	2/4	-
	4700	-	2200	-	1470	-	5446	-	2/4
	5000	2200	2300	1556	1570	5644	5746	2/4	2/4
	5240	2280	-	1636	-	5884	-	2/4	-
	5300	2300	2400	1656	1670	5944	6046	2/4	2/4
	5420	-	2440	-	1710	-	6166	-	2/4
	5450	2350	-	1706	-	6094	-	2/4	-
	5600	2400	2500	1756	1770	6244	6346	2/4	2/4
	5720	2440	-	1796	-	6364	-	2/4	-
	5810	2470	-	1826	-	6454	-	2/4	-
	5900	2500	2600	1856	1870	6544	6646	2/4	2/4
	6050	-	2650	-	1920	-	6796	-	2/4
	6200	2600	2700	1956	1970	6844	6946	2/4	2/4
	6500	2700	2800	2056	2070	7144	7246	2/4	2/4
	6800	2800	2900	2156	2170	7444	7546	2/4	2/4
	6950	-	2950	-	2220	-	7696	-	2/4
7100	2900	-	2256	-	7744	-	2/4	-	
7400	-	3100	-	2370	-	8146	-	2/4	

Technical data in line with VDI 2198

				Jungheinrich	
				ETV C16	ETV C20
Identification	1.1	Manufacturer (abbreviation)			
	1.2	Model			
	1.3	Drive		Electric	
	1.4	Manual, pedestrian, stand-on, seated, order picker operation		transverse seat	
	1.5	Load capacity/rated load	Q t	1.6	2
	1.6	Load centre distance	c mm	600	
	1.8	Load distance	x mm	400 ¹⁾	421 ¹⁾
	1.8.1	Load distance, mast reached forward	x ₁ mm	290	
	1.9	Wheelbase	y mm	1,460	1,520
Weights	2.1.1	Net weight incl. battery (see row 6.5)		3,640	4,010
	2.3	Axle load without load front/rear		2,230 / 1,410	2,410 / 1,600
	2.4	Axle loading forks forward with load at front / rear		670 / 4,570	510 / 5,500
	2.5	Axle loading forks retracted with load at front / rear		1,965 / 3,275	2,146 / 3,846
Wheels / frame	3.1	Tyres		SE	
	3.2	Tyre size, front		200 / 50-10	
	3.3	Tyre size, rear		180 / 60-10	
	3.5	Wheels, number front/rear (x = driven wheels)		1x / 2	
	3.7	Tread width, rear	b ₁₁ mm	1,210	1,240
Basic dimensions	4.1	Tilt of mast/fork carriage forward/backward		2/4 ²⁾	
	4.2	Mast height (lowered)	h ₁ mm	2,300	2,400
	4.3	Free lift	h ₂ mm	1,656	1,670
	4.4	Lift	h ₃ mm	5,300	
	4.5	Extended mast height	h ₄ mm	5,944	6,046
	4.7	Height of overhead guard	h ₆ mm	2,290	
	4.8	Seat height/stand height	h ₇ mm	1,166	
	4.10	height of support arms	h ₈ mm	464	
	4.19	Overall length	l ₁ mm	2,484 ¹⁾	2,524 ¹⁾
	4.20	Length to face of forks	l ₂ mm	1,320 ¹⁾	1,360 ¹⁾
	4.21	Overall width	b ₁ /b ₂ mm	1,382 / 1,270	1,409 / 1,270
	4.22	Fork dimensions	s/e/l mm	40 / 120 / 1,150	50 / 140 / 1,150
	4.23	Fork carriage ISO 2328, class/type A, B			2B
	4.24	Fork carriage width	b ₃ mm	830	
	4.25	Width across forks	b ₅ mm	335 / 730	356 / 750
	4.26	Width between support arms/loading surfaces	b ₄ mm	940	
	4.28	Mast reach	l ₄ mm	690 ¹⁾	711 ¹⁾
	4.32	Ground clearance, centre of wheelbase	m ₂ mm	80	
	4.32.1	Ground clearance at lowest point	mm	55	
4.33	Aisle width for pallets 1000 x 1200 sideways	Ast mm	2,784 ¹⁾	2,829 ¹⁾	
4.34	Aisle width for pallets 800 x 1200 lengthways	Ast mm	2,829 ¹⁾	2,871 ¹⁾	
4.35	Turning radius	W _a mm	1,735	1,795	
4.37	Length over the support arms	l ₇ mm	1,986	2,046	
Performance data	5.1	Travel speed, laden/unladen		11.8 / 12.2	
	5.2	Lift speed, laden/unladen		0.4 / 0.7	0.32 / 0.6
	5.3	Lowering speed, laden/unladen		0.5 / 0.5	
	5.4	Traverse speed w. / w.o. load		0.2 / 0.2	0.15 / 0.15
	5.7	Gradeability laden/unladen		7 / 10	6 / 10
	5.8	Max. gradeability, laden/unladen		10 / 15	
	5.9	Acceleration time w. / w.o. load		5.2 / 4.8	5.4 / 4.6
	5.10	Service brake		electric	
	6.1	Drive motor, output S2 60 min.		6.9	
	6.2	Lift motor, output at S3 15%		11.5	
6.3	Battery as per DIN 43531 / 35/36 A, B, C, no		DIN 43531 - C		
6.4	Battery voltage/nominal capacity K5		48 / 560		
6.5	Battery weight		937		
6.6	Energy consumption according to VDI cycle		4	4.9	
6.7	Throughput		59.2	64	
6.8	Energy consumption at max. throughput		3.3	3.4	
Misc.	8.1	Type of drive control		AC technology	
	8.2	Working pressure for attachments		150	
	8.3	Oil flow for attachments		20	
	8.4	Sound pressure level at operator's ear as per EN 12053		70	

¹⁾ different battery sizes change these values

²⁾ mast-dependent

Benefit from the advantages



Superelastic tyres



Ergonomic cab



Non-slip footstep



Unobstructed visibility thanks to panorama roof

High-performance mast

Jungheinrich masts guarantee maximum safety and space utilisation to high lift heights.

- Triplex masts with lifting heights up to 7400 mm.
- Excellent visibility to the load.
- Lowest clearances at high lift heights.
- High residual capacities even at high lift heights.
- Sensitive control of mast tilt.
- High-quality sections provide an extremely long service life.

Ergonomic cockpit

The operator position provides the ideal working conditions high performance and also reduces the strain on the operator.

- Comfort seat with adjustment options for seating position, backrest and body weight.
- Plenty of storage options.
- Important truck controls are within easy reach.
- Generous space, even for tall operators.
- Electric steering, select 180° or 360° (optionally with toggle switch).
- Standard automotive layout of pedals.
- Non-slip footstep for effortless entry and exit.

- Panoramic overhead guard for unobstructed view of the raised load (optional).

SOLO-PILOT control lever

The control lever is used for activating all hydraulic functions and the horn and for selecting the direction of travel.

- All the controls are within the operator's field of vision and are clearly designated for each specific function.
- Travel direction switch features intuitive direction change.
- Sensitive control of all functions for precision operating accuracy.
- Additional attachments, such as fork positioners (optional), are also easily controlled with the SOLO-PILOT.
- MULTI-PILOT available as option.

Easy-to-read operator display

The high-quality control instrument provides information on the most important operating data.

- Display of direction of travel and wheel position.
- Battery status with display of time remaining until the next charging.
- A choice of three travel programs for individual adaptation to any needs.
- Display of operating hours and time.
- Lift height (optional).

- Load weight (optional).
- Residual capacity (optional).

Assistance systems (optional)

Individual additional equipment for more power and less load:

- Operation Control: The load weight is sequentially measured and compared with the residual capacity of the truck. If the limit value is approached, a visual and acoustic warning is issued.
- Position Control with SNAP function: The rack height select facilitates straightforward, fast and secure stacking without having to push additional buttons.

Driver's cabs (optional)

The driver's cab provides optimum protection for frequent outdoor use and is available in three designs:

- Economy: with roof window and windscreen.
- Comfort 1: with roof window, windscreen and side windows for protection against frequent rain.
- Comfort 2: with roof window, windscreen & side windows and a door for all round protection.