



FORTENS™

STRONG PARTNERS. TOUGH TRUCKS.

IC Counterbalanced Lift Trucks
H2.0-3.5FT Fortens / Fortens Advance / Fortens Advance+

2 000 – 3 500 kg



Fortens H2.0FT, H2.5FT, H3.0FT, H3.5FT

CHARACTERISTICS	1.1	Manufacturer	
	1.2	Model designation	
		Model - Manufacturer designation	
		Engine / transmission	
		Brake type	
	1.3	Power: battery, diesel, LPG, electric mains	
	1.4	Operation: manual, pedestrian, stand, seat, orderpicker	
	1.5	Load capacity	Q (kg)
	1.6	Load centre	c (mm)
1.8	Load distance	x (mm)	
1.9	Wheelbase	y (mm)	

HYSTER		HYSTER		HYSTER		HYSTER	
H2.0FT		H2.0FT		H2.5FT		H2.5FT	
Fortens		Fortens		Fortens		Fortens	
Yanmar 2.6L Powershift		Mazda 2.0L Powershift		Yanmar 2.6L Powershift		Yanmar 3.3L Powershift	
Drum Brakes		Drum Brakes		Drum Brakes		Drum Brakes	
Diesel		LPG		Diesel		Diesel	
Seat		Seat		Seat		Seat	
2 000		2 000		2 500		2 500	
500		500		500		500	
471		471		471		471	
1 623		1 623		1 623		1 623	

WEIGHTS	2.1	Unladen weight	kg
	2.2	Axle loading with load, front/rear	kg
	2.3	Axle loading without load, front/rear	kg

3 688		3 688		4 026		4 026	
5 103	584	5 103	584	5 833	693	5 833	693
1 907	1 781	1 907	1 781	1 837	2 189	1 837	2 189

WHEELS & TYRES	3.1	Tyres: L=pneumatic, V=solid, SE=pneumatic-shaped solid	
	3.2	Tyre size, front	
	3.3	Tyre size, rear	
	3.5	Number of wheels, front/rear (X = driven)	
	3.6	Track width, front	b ₁₀ (mm)
	3.7	Track width, rear	b ₁₁ (mm)

SE		SE		SE		SE	
7,00 x 12 - 12		7,00 x 12 - 12		7,00 x 12 - 12		7,00 x 12 - 12	
6,00 x 9		6,00 x 9		6,00 x 9		6,00 x 9	
2X	2	2X	2	2X	2	2X	2
965		965		965		965	
967		967		967		967	

DIMENSIONS	4.1	Mast tilt, α = forward/β = back	degrees
	4.2	Height of mast, lowered	h ₁ (mm)
	4.3	Free lift ¶	h ₂ (mm)
	4.4	Lift height ¶	h ₃ (mm)
	4.5	Height of mast, extended †	h ₄ (mm)
	4.7	Overhead guard height ■	h ₆ (mm)
	4.8	Seat height ○	h ₇ (mm)
	4.12	Towing coupling height	h ₁₀ (mm)
	4.19	Overall length	l ₁ (mm)
	4.20	Length to face of forks	l ₂ (mm)
	4.21	Overall width, standard/wide/dual drive	b ₁ /b ₂ (mm)
	4.22	Fork dimensions	s/e/l (mm)
	4.23	Fork carriage DIN 15173, Class, A/B	
	4.24	Fork carriage width ●	b ₃ (mm)
	4.31	Ground clearance under mast, with load	m ₁ (mm)
	4.32	Ground clearance, centre of wheelbase	m ₂ (mm)
	4.33	Aisle width with pallets 1 000 mm x 1 200 mm wide ◆	Ast (mm)
	4.34	Aisle width with pallets 800 mm x 1 200 mm long ◆	Ast (mm)
4.35	Outer turning radius	W _a (mm)	
4.36	Inner turning radius	b ₁₃ (mm)	

6		5		6		5		6		5		6		5	
2 170		2 170		2 170		2 170		2 170		2 170		2 170		2 170	
100		100		100		100		100		100		100		100	
3 250		3 250		3 250		3 250		3 250		3 250		3 250		3 250	
3 900		3 900		3 900		3 900		3 900		3 900		3 900		3 900	
2 160		2 160		2 185		2 185		2 185		2 185		2 185		2 185	
1 061		1 061		1 073,5		1 073,5		1 073,5		1 073,5		1 073,5		1 073,5	
365		365		390		390		390		390		390		390	
3 486		3 486		3 559		3 559		3 559		3 559		3 559		3 559	
2 486		2 486		2 559		2 559		2 559		2 559		2 559		2 559	
1 157	1 317	1 601	1 157	1 317	1 601	1 157	1 317	1 601	1 157	1 317	1 601	1 157	1 317	1 601	
40	100	1 000	40	100	1 000	40	100	1 000	40	100	1 000	40	100	1 000	
II A		II A		II A		II A		II A		II A		II A		II A	
1 070		1 070		1 070		1 070		1 070		1 070		1 070		1 070	
107		107		107		107		107		107		107		107	
160		160		173		173		173		173		173		173	
3 919		3 919		3 986		3 986		3 986		3 986		3 986		3 986	
4 056		4 056		4 123		4 123		4 123		4 123		4 123		4 123	
2 149		2 149		2 216		2 216		2 216		2 216		2 216		2 216	
50		50		50		50		50		50		50		50	

PERFORMANCE	5.1	Travel speed with/without load	km/h
	5.2	Lifting speed with/without load	m/sec
	5.3	Lowering speed with/without load	m/sec
	5.5	Drawbar pull with/without load @ 1,6 km/h	N
	5.6	Maximum drawbar pull with/without load	N
	5.7	Gradeability with/without load @ 4,8 km/h †	%
	5.8	Maximum gradeability with/without load @ 1,6 km/h †	%
	5.10	Service brake	

16,9	18,0	17,1	18,0	16,9	18,0	18,2	19,3
0,66	0,71	0,56	0,57	0,61	0,71	0,68	0,68
0,50	0,42	0,50	0,42	0,50	0,42	0,50	0,42
17 440	11 570	13 991	12 082	17 440	11 450	21 640	11 450
21 204	11 570	17 257	12 082	19 389	11 450	24 248	11 450
21,3	34,2	15,0	24,5	21,0	29,3	26,0	29,3
33,2	34,2	25,3	34,2	27,7	29,3	35,1	29,3
Hydraulic		Hydraulic		Hydraulic		Hydraulic	

ENGINE	7.1	Engine manufacturer/type	
	7.2	Engine output, in accordance with ISO 1585 / DIN 6271	kW
	7.3	Governed speed	rpm
	7.4	Number of cylinders/displacements	cm ³

Yanmar 4TNE92		Mazda FE		Yanmar 4TNE92		Yanmar 4TNE98	
35,8		32,8		35,8		48,5	
2 700		2 700		2 700		2 600	
4	2 659	4	1 998	4	2 659	4	3 319

OTHER	8.1	Drive control	
	8.2	Working pressure for attachments	bar
	8.3	Oil flow for attachments ¶	l/min
	8.4	Average noise level at operator's ear (Lpaz) ◇	dB (A)
		Guaranteed sound power 2001/14/EC (Lwaz)	dB
8.5	Towing coupling type		

Automatic		Automatic		Automatic		Automatic	
0-155		0-155		0-155		0-155	
75		62		75		75	
80		80		80		80	
104		103		104		104	
Pin		Pin		Pin		Pin	

Specification Data is based on VDI 2198

Equipment and weight:

Weights (line 2.1) are based on the following specifications:

Complete truck with 3 290 mm (H2.0-2.5FT) / 3 105 mm (H3.0-H3.5FT) 2-stage limited free lift mast, standard carriage and 1 000 mm forks with e-hydraulics, overhead guard and standard pneumatic shaped solid drive and steer tyres.

HYSTER		HYSTER		HYSTER		HYSTER		HYSTER		HYSTER		
H2.5FT		H3.0FT		H3.0FT		H3.0FT		H3.5FT		H3.5FT		1.1
Fortens		Fortens		Fortens		Fortens		Fortens		Fortens		1.2
Mazda 2.0L Powershift		Yanmar 2.6L Powershift		Yanmar 3.3L Powershift		Mazda 2.0L Powershift		Yanmar 3.3L Powershift		Mazda 2.2L Powershift		
Drum Brakes		Drum Brakes		Drum Brakes		Drum Brakes		Drum Brakes		Drum Brakes		
LPG		Diesel		Diesel		LPG		Diesel		LPG		1.3
Seat		Seat		Seat		Seat		Seat		Seat		1.4
2 500		3 000		3 000		3 000		3 500		3 500		1.5
500		500		500		500		500		500		1.6
471		478		478		478		478		478		1.8
1 623		1 623		1 623		1 623		1 700		1 700		1.9

CHARACTERISTICS

4 026		4 505		4 505		4 505		4 816		4 816		2.1
5 833	693	6 725	781	6 725	781	6 725	781	7 392	925	7 392	925	2.2
1 837	2 189	1 907	2 598	1 907	2 598	1 907	2 598	1 868	2 948	1 868	2 948	2.3

WEIGHTS

SE		SE		SE		SE		SE		SE		
7,00 x 12 - 12		28,00 x 9 - 15		28,00 x 9 - 15		28,00 x 9 - 15		28,00 x 9 - 15		28,00 x 9 - 15		3.1
6,00 x 9		6,50 x 10		6,50 x 10		6,50 x 10		6,50 x 10		6,50 x 10		3.3
2X	2	2X	2	2X	2	2X	2	2X	2	2X	2	3.5
965		965		965		965		965		965		3.6
967		967		967		967		967		967		3.7

WHEELS & TYRES

6	5	6	5	6	5	6	5	6	5	6	5	4.1
2 170		2 195		2 195		2 195		2 195		2 195		4.2
100		100		100		100		100		100		4.3
3 250		3 055		3 055		3 055		3 055		3 055		4.4
3 900		3 805		3 805		3 805		3 805		3 805		4.5
2 185		2 185		2 185		2 185		2 185		2 185		4.7
1 073,5		1 086		1 086		1 086		1 086		1 086		4.8
390		390		390		390		390		390		4.12
3 559		3 633		3 633		3 633		3 734		3 734		4.19
2 559		2 633		2 633		2 633		2 734		2 734		4.20
1 157	1 317	1 601	1 186	1 321	1 601	1 186	1 321	1 601	1 186	1 321	1 601	4.21
40	100	1 000	50	125	1 000	50	125	1 000	50	125	1 000	4.22
II A		III A		III A		III A		III A		III A		4.23
1 070		1 070		1 070		1 070		1 070		1 070		4.24
107		132		132		132		132		132		4.31
173		185		185		185		185		185		4.32
3 986		4 063		4 063		4 063		4 156		4 156		4.33
4 123		4 196		4 196		4 196		4 293		4 293		4.34
2 216		2 277		2 277		2 277		2 380		2 380		4.35
50		25		25		25		54		54		4.36

DIMENSIONS

17,1	18,0	18,2	19,1	20,0	21,1	18,0	19,1	20,0	21,1	18,0	19,1	5.1
0,54	0,57	0,47	0,62	0,60	0,60	0,45	0,50	0,60	0,60	0,49	0,50	5.2
0,50	0,42	0,50	0,42	0,50	0,42	0,50	0,42	0,50	0,42	0,50	0,42	5.3
13 848	11 450	16 354	11 708	21 556	13 154	12 950	11 708	21 485	11 708	15 735	12 594	5.5
16 020	11 450	19 291	11 708	24 164	13 154	15 851	11 708	24 079	11 708	18 913	12 594	5.6
13,0	22,0	15,0	26,6	23,0	30,2	11,0	19,0	20,2	26,6	13,5	23,0	5.7
21,7	29,3	22,6	26,6	30,3	26,6	17,6	26,6	30,5	26,6	19,4	26,9	5.8
Hydraulic		Hydraulic		Hydraulic		Hydraulic		Hydraulic		Hydraulic		5.10

PERFORMANCE

Mazda FE		Yanmar 4TNE92		Yanmar 4TNE98		Mazda FE		Yanmar 4TNE98		Mazda F2		7.1
32,8		35,8		48,5		32,8		48,5		38,0		7.2
2 700		2 700		2 600		2 700		2 600		2 700		7.3
4	1 998	4	2 659	4	3 319	4	1 998	4	3 319	4	2 184	7.4

ENGINE

Automatic		Automatic		Automatic		Automatic		Automatic		Automatic		8.1
0-155		0-155		0-155		0-155		0-155		0-155		8.2
62		75		75		62		75		62		8.3
80		80		80		80		80		80		8.4
103		104		104		103		104		103		
Pin		Pin		Pin		Pin		Pin		Pin		8.5

OTHER

Fortens Advance H2.0FT, H2.5FT, H3.0FT, H3.5FT

CHARACTERISTICS	1.1	Manufacturer	
	1.2	Model designation	
		Model - Manufacturer designation	
		Engine / transmission	
		Brake type	
	1.3	Power: battery, diesel, LPG, electric mains	
	1.4	Operation: manual, pedestrian, stand, seat, orderpicker	
	1.5	Load capacity	Q (kg)
	1.6	Load centre	c (mm)
1.8	Load distance	x (mm)	
1.9	Wheelbase	y (mm)	

HYSTER		HYSTER		HYSTER		HYSTER	
H2.0FT		H2.0FT		H2.5FT		H2.5FT	
Fortens Advance		Fortens Advance		Fortens Advance		Fortens Advance	
Yanmar 2.6L DuraMatch		Mazda 2.2L DuraMatch		Yanmar 2.6L DuraMatch		Mazda 2.2L DuraMatch	
ADS Drum or Wet Brakes		ADS Drum or Wet Brakes		ADS Drum or Wet Brakes		ADS Drum or Wet Brakes	
Diesel		LPG		Diesel		LPG	
Seat		Seat		Seat		Seat	
2 000		2 000		2 500		2 500	
500		500		500		500	
471		471		471		471	
1 623		1 623		1 623		1 623	

WEIGHTS	2.1	Unladen weight	kg
	2.2	Axle loading with load, front/rear	kg
	2.3	Axle loading without load, front/rear	kg

3 688		3 688		4 026		4 026	
5 103	584	5 103	584	5 833	693	5 833	693
1 907	1 781	1 907	1 781	1 837	2 189	1 837	2 189

WHEELS & TYRES	3.1	Tyres: L=pneumatic, V=solid, SE=pneumatic-shaped solid	
	3.2	Tyre size, front	
	3.3	Tyre size, rear	
	3.5	Number of wheels, front/rear (X = driven)	
	3.6	Track width, front	b ₁₀ (mm)
	3.7	Track width, rear	b ₁₁ (mm)

SE		SE		SE		SE	
7,00 x 12 - 12		7,00 x 12 - 12		7,00 x 12 - 12		7,00 x 12 - 12	
6,00 x 9		6,00 x 9		6,00 x 9		6,00 x 9	
2X	2	2X	2	2X	2	2X	2
965		965		965		965	
967		967		967		967	

DIMENSIONS	4.1	Mast tilt, α = forward/β = back	degrees
	4.2	Height of mast, lowered	h ₁ (mm)
	4.3	Free lift †	h ₂ (mm)
	4.4	Lift height †	h ₃ (mm)
	4.5	Height of mast, extended †	h ₄ (mm)
	4.7	Overhead guard height ■	h ₆ (mm)
	4.8	Seat height ○	h ₇ (mm)
	4.12	Towing coupling height	h ₁₀ (mm)
	4.19	Overall length	l ₁ (mm)
	4.20	Length to face of forks	l ₂ (mm)
	4.21	Overall width, standard/wide/dual drive	b ₁ /b ₂ (mm)
	4.22	Fork dimensions	s/e/l (mm)
	4.23	Fork carriage DIN 15173. Class, A/B	
	4.24	Fork carriage width ●	b ₃ (mm)
	4.31	Ground clearance under mast, with load	m ₁ (mm)
	4.32	Ground clearance, centre of wheelbase	m ₂ (mm)
	4.33	Aisle width with pallets 1 000 mm x 1 200 mm wide ◆	Ast (mm)
	4.34	Aisle width with pallets 800 mm x 1 200 mm long ◆	Ast (mm)
	4.35	Outer turning radius	W _a (mm)
4.36	Inner turning radius	b ₁₃ (mm)	

6		5		6		5		6		5	
2 170		2 170		2 170		2 170		2 170		2 170	
100		100		100		100		100		100	
3 250		3 250		3 250		3 250		3 250		3 250	
3 900		3 900		3 900		3 900		3 900		3 900	
2 160		2 160		2 185		2 185		2 185		2 185	
1 061		1 061		1 073,5		1 073,5		1 073,5		1 073,5	
365		365		390		390		390		390	
3 486		3 486		3 559		3 559		3 559		3 559	
2 486		2 486		2 559		2 559		2 559		2 559	
1 157	1 317	1 601	1 157	1 317	1 601	1 157	1 317	1 601	1 157	1 317	1 601
40	100	1 000	40	100	1 000	40	100	1 000	40	100	1 000
II A		II A		II A		II A		II A		II A	
1 070		1 070		1 070		1 070		1 070		1 070	
107		107		107		107		107		107	
160		160		173		173		173		173	
3 919		3 919		3 986		3 986		3 986		3 986	
4 056		4 056		4 123		4 123		4 123		4 123	
2 149		2 149		2 216		2 216		2 216		2 216	
50		50		50		50		50		50	

PERFORMANCE	5.1	Travel speed with/without load	km/h
	5.2	Lifting speed with/without load	m/sec
	5.3	Lowering speed with/without load	m/sec
	5.5	Drawbar pull with/without load @ 1,6 km/h	N
	5.6	Maximum drawbar pull with/without load	N
	5.7	Gradeability with/without load @ 4,8 km/h †	%
	5.8	Maximum gradeability with/without load @ 1,6 km/h †	%
	5.10	Service brake	

16,9	18,0	17,1	18,0	16,9	18,0	17,1	18,0
0,66	0,71	0,56	0,57	0,61	0,71	0,56	0,57
0,50	0,42	0,50	0,42	0,50	0,42	0,50	0,42
17 440	11 570	16 937	12 082	17 440	11 450	16 857	11 450
21 204	11 570	20 510	12 082	19 389	11 450	19 082	11 400
21,3	34,2	19,0	29,8	21,0	29,3	16,0	29,0
33,2	34,2	31,1	34,2	27,7	29,3	26,7	29,3
Hydraulic		Hydraulic		Hydraulic		Hydraulic	

ENGINE	7.1	Engine manufacturer/type	
	7.2	Engine output, in accordance with ISO 1585 / DIN 6271	kW
	7.3	Governed speed	rpm
	7.4	Number of cylinders/displacements	cm ³

Yanmar 4TNE92		Mazda F2		Yanmar 4TNE92		Mazda F2	
35,8		38,0		35,8		38,0	
2 700		2 700		2 700		2 700	
4	2 659	4	2 184	4	2 659	4	2 184

OTHER	8.1	Drive control	
	8.2	Working pressure for attachments	bar
	8.3	Oil flow for attachments †	l/min
	8.4	Average noise level at operator's ear (Lpaz) ◇	dB (A)
		Guaranteed sound power 2001/14/EC (Lwaz)	dB
8.5	Towing coupling type		

Automatic		Automatic		Automatic		Automatic	
0-155		0-155		0-155		0-155	
75		62		75		62	
80		80		80		80	
104		103		104		103	
Pin		Pin		Pin		Pin	

Specification Data is based on VDI 2198

Equipment and weight:

Weights (line 2.1) are based on the following specifications:

Complete truck with 3 290 mm (H2.0-2.5FT) / 3 105 mm (H3.0-H3.5FT) 2-stage limited free lift mast, standard carriage and 1 000 mm forks with e-hydraulics, overhead guard and standard pneumatic shaped solid drive and steer tyres.

HYSTER		HYSTER		HYSTER		HYSTER		
H3.0FT		H3.0FT		H3.5FT		H3.5FT		1.1
Fortens Advance		Fortens Advance		Fortens Advance		Fortens Advance		1.2
Yanmar 2.6L DuraMatch		Mazda 2.2L DuraMatch		Yanmar 3.3L DuraMatch		Mazda 2.2L DuraMatch		
ADS Drum or Wet Brakes		ADS Drum or Wet Brakes		ADS Drum or Wet Brakes		ADS Drum or Wet Brakes		
Diesel		LPG		Diesel		LPG		1.3
Seat		Seat		Seat		Seat		1.4
3 000		3 000		3 500		3 500		1.5
500		500		500		500		1.6
478		478		478		478		1.8
1 623		1 623		1 700		1 700		1.9

CHARACTERISTICS

4 505		4 505		4 816		4 816		
6 725	781	6 725	781	7 392	925	7 392	925	2.1
1 907	2 598	1 907	2 598	1 868	2 948	1 868	2 948	2.2
								2.3

WEIGHTS

SE		SE		SE		SE		
28,00 x 9 - 15		28,00 x 9 - 15		28,00 x 9 - 15		28,00 x 9 - 15		3.1
6,50 x 10		6,50 x 10		6,50 x 10		6,50 x 10		3.2
2X		2X		2X		2X		3.3
2		2		2		2		3.4
965		965		965		965		3.5
967		967		967		967		3.6
								3.7

WHEELS & TYRES

6		5		6		5		6		5		
2 195		2 195		2 195		2 195		2 195		2 195		4.1
100		100		100		100		100		100		4.2
3 055		3 055		3 055		3 055		3 055		3 055		4.3
3 805		3 805		3 805		3 805		3 805		3 805		4.4
2 185		2 185		2 185		2 185		2 185		2 185		4.5
1086		1 086		1 086		1 086		1 086		1 086		4.6
390		390		390		390		390		390		4.7
3 633		3 633		3 734		3 734		3 734		3 734		4.8
2 633		2 633		2 734		2 734		2 734		2 734		4.9
1 186	1 321	1 601	1 186	1 321	1 601	1 186	1 321	1 601	1 186	1 321	1 601	4.10
50	125	1 000	50	125	1 000	50	125	1 000	50	125	1 000	4.11
III A		III A		III A		III A		III A		III A		4.12
1 070		1 070		1 070		1 070		1 070		1 070		4.13
132		132		132		132		132		132		4.14
185		185		185		185		185		185		4.15
4 063		4 063		4 156		4 156		4 156		4 156		4.16
4 196		4 196		4 293		4 293		4 293		4 293		4.17
2 277		2 277		2 380		2 380		2 380		2 380		4.18
25		25		54		54		54		54		4.19

DIMENSIONS

18,2	19,1	18,0	19,1	20,0	21,1	18,0	19,1	5.1
0,47	0,62	0,49	0,50	0,60	0,60	0,49	0,50	5.2
0,50	0,42	0,50	0,42	0,50	0,42	0,50	0,42	5.3
16 354	11 708	16 274	11 708	21 485	11 708	15 735	12 594	5.4
19 291	11 708	18 913	11 708	24 079	11 708	18 913	12 594	5.5
15,0	26,6	14,0	25,0	20,2	26,6	13,5	23,0	5.6
22,6	26,6	21,5	26,6	30,5	26,6	19,4	26,9	5.7
Hydraulic		Hydraulic		Hydraulic		Hydraulic		5.8
								5.10

PERFORMANCE

Yanmar 4TNE92		Mazda F2		Yanmar 4TNE98		Mazda F2		7.1
35,8		38,0		48,5		38,0		7.2
2 700		2 700		2 600		2 700		7.3
4	2 659	4	2 184	4	3 319	4	2 184	7.4

ENGINE

Automatic		Automatic		Automatic		Automatic		8.1
0-155		0-155		0-155		0-155		8.2
75		62		75		62		8.3
80		80		80		80		8.4
104		103		104		103		
Pin		Pin		Pin		Pin		8.5

OTHER

Fortens Advance+ H2.0FT, H2.5FT, H3.0FT, H3.5FT

CHARACTERISTICS	1.1	Manufacturer	HYSTER		HYSTER		HYSTER		HYSTER		HYSTER		HYSTER	
	1.2	Model designation	H2.0FT		H2.0FT		H2.0FT		H2.0FT		H2.5FT		H2.5FT	
		Model - Manufacturer designation	Fortens Advance +		Fortens Advance +		Fortens Advance +		Fortens Advance +		Fortens Advance +		Fortens Advance +	
		Engine / transmission	Yanmar 3.3L DuraMatch		Yanmar 3.3L DuraMatch Plus2		GM 2.4L DuraMatch		GM 2.4L DuraMatch Plus2		Yanmar 3.3L DuraMatch		Yanmar 3.3L DuraMatch Plus2	
		Brake type	ADS Drum or Wet Brakes		Wet Brakes Only		ADS Drum or Wet Brakes		Wet Brakes Only		ADS Drum or Wet Brakes		Wet Brakes Only	
	1.3	Power: battery, diesel, LPG, electric mains	Diesel		Diesel		LPG		LPG		Diesel		Diesel	
	1.4	Operation: manual, pedestrian, stand, seat, orderpicker	Seat		Seat		Seat		Seat		Seat		Seat	
	1.5	Load capacity	2 000		2 000		2 000		2 000		2 500		2 500	
	1.6	Load centre	500		500		500		500		500		500	
	1.8	Load distance	471		471		471		471		471		471	
1.9	Wheelbase	1 623		1 623		1 623		1 623		1 623		1 623		
WEIGHTS	2.1	Unladen weight	3 688		3 688		3 688		3 688		4 026		4 026	
	2.2	Axle loading with load, front/rear	5 103 / 584		5 103 / 584		5 103 / 584		5 103 / 584		5 833 / 693		5 833 / 693	
	2.3	Axle loading without load, front/rear	1 907 / 1 781		1 907 / 1 781		1 907 / 1 781		1 907 / 1 781		1 837 / 2 189		1 837 / 2 189	
WHEELS & TYRES	3.1	Tyres: L=pneumatic, V=solid, SE=pneumatic-shaped solid	SE		SE		SE		SE		SE		SE	
	3.2	Tyre size, front	7,00 x 12 - 12		7,00 x 12 - 12		7,00 x 12 - 12		7,00 x 12 - 12		7,00 x 12 - 12		7,00 x 12 - 12	
	3.3	Tyre size, rear	6,00 x 9		6,00 x 9		6,00 x 9		6,00 x 9		6,00 x 9		6,00 x 9	
	3.5	Number of wheels, front/rear (X = driven)	2X / 2		2X / 2		2X / 2		2X / 2		2X / 2		2X / 2	
	3.6	Track width, front	965		965		965		965		965		965	
	3.7	Track width, rear	967		967		967		967		967		967	
	DIMENSIONS	4.1	Mast tilt, α = forward/ β = back	6 / 5		6 / 5		6 / 5		6 / 5		6 / 5		6 / 5
4.2		Height of mast, lowered	2 170		2 170		2 170		2 170		2 170		2 170	
4.3		Free lift \uparrow	100		100		100		100		100		100	
4.4		Lift height \uparrow	3 250		3 250		3 250		3 250		3 250		3 250	
4.5		Height of mast, extended \uparrow	3 900		3 900		3 900		3 900		3 900		3 900	
4.7		Overhead guard height \blacksquare	2 160		2 160		2 160		2 160		2 185		2 185	
4.8		Seat height \circ	1 061		1 061		1 061		1 061		1 073,5		1 073,5	
4.12		Towing coupling height	365		365		365		365		390		390	
4.19		Overall length	3 486		3 486		3 486		3 486		3 559		3 559	
4.20		Length to face of forks	2 486		2 486		2 486		2 486		2 559		2 559	
4.21		Overall width, standard/wide/dual drive	1 157 / 1 317 / 1 601		1 157 / 1 317 / 1 601		1 157 / 1 317 / 1 601		1 157 / 1 317 / 1 601		1 157 / 1 317 / 1 601		1 157 / 1 317 / 1 601	
4.22		Fork dimensions	40 / 100 / 1 000		40 / 100 / 1 000		40 / 100 / 1 000		40 / 100 / 1 000		40 / 100 / 1 000		40 / 100 / 1 000	
4.23		Fork carriage DIN 15173. Class, A/B	II A		II A		II A		II A		II A		II A	
4.24		Fork carriage width \bullet	1 070		1 070		1 070		1 070		1 070		1 070	
4.31		Ground clearance under mast, with load	107		107		107		107		107		107	
4.32		Ground clearance, centre of wheelbase	160		160		160		160		173		173	
4.33		Aisle width with pallets 1 000 mm x 1 200 mm wide \blacklozenge	3 919		3 919		3 919		3 919		3 986		3 986	
4.34	Aisle width with pallets 800 mm x 1 200 mm long \blacklozenge	4 056		4 056		4 056		4 056		4 123		4 123		
4.35	Outer turning radius	2 149		2 149		2 149		2 149		2 216		2 216		
4.36	Inner turning radius	50		50		50		50		50		50		
PERFORMANCE	5.1	Travel speed with/without load	18,2 / 19,3		21,1 / 21,4		17,5 / 18,7		18,7 / 19,6		18,2 / 19,3		21,1 / 21,4	
	5.2	Lifting speed with/without load	0,68 / 0,68		0,68 / 0,68		0,60 / 0,61		0,60 / 0,61		0,68 / 0,68		0,68 / 0,68	
	5.3	Lowering speed with/without load	0,50 / 0,42		0,50 / 0,42		0,50 / 0,42		0,50 / 0,42		0,50 / 0,42		0,50 / 0,42	
	5.5	Drawbar pull with/without load @ 1,6 km/h	21 729 / 11 570		21 805 / 11 570		19 647 / 12 082		21 805 / 11 450		21 640 / 11 450		21 805 / 11 450	
	5.6	Maximum drawbar pull with/without load	24 337 / 11 570		21 805 / 11 570		23 211 / 12 082		21 805 / 11 450		24 248 / 11 450		21 805 / 11 450	
	5.7	Gradeability with/without load @ 4,8 km/h \uparrow	32,0 / 34,2		39,0 / 34,2		24,0 / 34,2		30,0 / 34,2		26,0 / 29,3		33,8 / 29,3	
	5.8	Maximum gradeability with/without load @ 1,6 km/h \uparrow	42,6 / 34,2		42,8 / 34,2		37,0 / 34,2		41,0 / 34,2		35,1 / 29,3		35,4 / 29,3	
	5.10	Service brake	Hydraulic		Hydraulic		Hydraulic		Hydraulic		Hydraulic		Hydraulic	
ENGINE	7.1	Engine manufacturer/type	Yanmar 4TNE98		Yanmar 4TNE98		GM 2.4L		GM 2.4L		Yanmar 4TNE98		Yanmar 4TNE98	
	7.2	Engine output, in accordance with ISO 1585 / DIN 6271	48,5		48,5		46,2		46,2		48,5		48,5	
	7.3	Governed speed	2 600		2 600		2 700		2 700		2 600		2 600	
	7.4	Number of cylinders/displacements	4 / 3 319		4 / 3 319		4 / 2 400		4 / 2 400		4 / 3 319		4 / 3 319	
OTHER	8.1	Drive control	Automatic		Automatic		Automatic		Automatic		Automatic		Automatic	
	8.2	Working pressure for attachments	0-155		0-155		0-155		0-155		0-155		0-155	
	8.3	Oil flow for attachments \mp	75		75		66		66		75		75	
	8.4	Average noise level at operator's ear (Lpaz) \diamond	80		80		80		80		80		80	
	8.5	Guaranteed sound power 2001/14/EC (Lwaz)	104		104		105		105		104		104	
	Towing coupling type	Pin		Pin		Pin		Pin		Pin		Pin		

Specification Data is based on VDI 2198

Equipment and weight:

Weights (line 2.1) are based on the following specifications:

Complete truck with 3 290 mm (H2.0-2.5FT) / 3 105 mm (H3.0-H3.5FT) 2-stage limited free lift mast, standard carriage and 1 000 mm forks with e-hydraulics, overhead guard and standard pneumatic shaped solid drive and steer tyres.

HYSTER		HYSTER		HYSTER		HYSTER		HYSTER		HYSTER		HYSTER		HYSTER		HYSTER		HYSTER		1,1	
H2,5FT		H2,5FT		H3,0FT		H3,0FT		H3,0FT		H3,0FT		H3,5FT		H3,5FT		H3,5FT		H3,5FT		1,2	
Fortens Advance +		Fortens Advance +		Fortens Advance +		Fortens Advance +		Fortens Advance +		Fortens Advance +		Fortens Advance +		Fortens Advance +		Fortens Advance +		Fortens Advance +			
GM 2,4L DuraMatch		GM 2,4L DuraMatch Plus2		Yanmar 3,3L DuraMatch		Yanmar 3,3L DuraMatch Plus2		GM 2,4L DuraMatch		GM 2,4L DuraMatch Plus2		Yanmar 3,3L DuraMatch Plus2		GM 2,4L DuraMatch		GM 2,4L DuraMatch Plus2					
ADS Drum or Wet Brakes		Wet Brakes Only		ADS Drum or Wet Brakes		Wet Brakes Only		ADS Drum or Wet Brakes		Wet Brakes Only		ADS Drum or Wet Brakes		ADS Drum or Wet Brakes		Wet Brakes Only					
LPG		LPG		Diesel		Diesel		LPG		LPG		Diesel		LPG		LPG				1,3	
Seat		Seat		Seat		Seat		Seat		Seat		Seat		Seat		Seat				1,4	
2 500		2 500		3 000		3 000		3 000		3 000		3 500		3 500		3 500				1,5	
500		500		500		500		500		500		500		500		500				1,6	
471		471		478		478		478		478		478		478		478				1,8	
1 623		1 623		1 623		1 623		1 623		1 623		1 700		1 700		1 700				1,9	

CHARACTERISTICS

4 026		4 026		4 505		4 505		4 505		4 505		4 816		4 816		4 816				2,1	
5 833	693	5 833	693	6 725	781	6 725	781	6 725	781	6 725	781	7 392	925	7 392	925	7 392	925	7 392	925	2,2	2,2
1 837	2 189	1 837	2 189	1 907	2 598	1 907	2 598	1 907	2 598	1 907	2 598	1 868	2 948	1 868	2 948	1 868	2 948	1 868	2 948	2,3	2,3

WEIGHTS

SE		SE		SE		SE		SE		SE		SE		SE		SE		SE		3,1	
7,00 x 12 - 12		7,00 x 12 - 12		28,00 x 9 - 15		28,00 x 9 - 15		28,00 x 9 - 15		28,00 x 9 - 15		28,00 x 9 - 15		28,00 x 9 - 15		28,00 x 9 - 15		28,00 x 9 - 15		3,2	
6,00 x 9		6,00 x 9		6,50 x 10		6,50 x 10		6,50 x 10		6,50 x 10		6,50 x 10		6,50 x 10		6,50 x 10		6,50 x 10		3,3	
2X	2	2X	2	2X	2	2X	2	2X	2	2X	2	2X	2	2X	2	2X	2	2X	2	2X	2
965		965		965		965		965		965		965		965		965		965		3,6	
967		967		967		967		967		967		967		967		967		967		3,7	

WHEELS & TYRES

6	5	6	5	6	5	6	5	6	5	6	5	6	5	6	5	6	5	6	5	6	5	4,1
2 170		2 170		2 195		2 195		2 195		2 195		2 195		2 195		2 195		2 195		2 195		4,2
100		100		100		100		100		100		100		100		100		100		100		4,3
3 250		3 250		3 055		3 055		3 055		3 055		3 055		3 055		3 055		3 055		3 055		4,4
3 900		3 900		3 805		3 805		3 805		3 805		3 805		3 805		3 805		3 805		3 805		4,5
2 185		2 185		2 185		2 185		2 185		2 185		2 185		2 185		2 185		2 185		2 185		4,7
1 073,5		1 073,5		1 086		1 086		1 086		1 086		1 086		1 086		1 086		1 086		1 086		4,8
390		390		390		390		390		390		390		390		390		390		390		4,12
3 559		3 559		3 633		3 633		3 633		3 633		3 734		3 734		3 734		3 734		3 734		4,19
2 559		2 559		2 633		2 633		2 633		2 633		2 734		2 734		2 734		2 734		2 734		4,20
1 157	1 317	1 601		1 157	1 317	1 601		1 186	1 321	1 601		1 186	1 321	1 601		1 186	1 321	1 601		1 186	1 321	1 601
40	100	1 000		40	100	1 000		50	125	1 000		50	125	1 000		50	125	1 000		50	125	1 000
II A		II A		III A		III A		III A		III A		III A		III A		III A		III A		III A		4,23
1 070		1 070		1 070		1 070		1 070		1 070		1 070		1 070		1 070		1 070		1 070		4,24
107		107		132		132		132		132		132		132		132		132		132		4,31
173		173		185		185		185		185		185		185		185		185		185		4,32
3 986		3 986		4 063		4 063		4 063		4 063		4 156		4 156		4 156		4 156		4 156		4,33
4 123		4 123		4 196		4 196		4 196		4 196		4 293		4 293		4 293		4 293		4 293		4,34
2 216		2 216		2 277		2 277		2 277		2 277		2 380		2 380		2 380		2 380		2 380		4,35
50		50		25		25		25		25		54		54		54		54		54		4,36

DIMENSIONS

17,5	18,7	18,7	19,6	20,0	21,1	22,4	22,7	18,7	19,8	19,8	20,9	22,4	22,7	18,7	19,5	19,8	20,9	5,1			
0,60	0,61	0,60	0,61	0,60	0,60	0,60	0,60	0,53	0,54	0,53	0,54	0,60	0,60	0,53	0,54	0,53	0,54	5,2			
0,50	0,42	0,50	0,42	0,50	0,42	0,50	0,42	0,50	0,42	0,50	0,42	0,50	0,42	0,50	0,42	0,50	0,42	5,3			
19 033	11 450	21 805	11 450	21 556	13 154	21 805	11 708	18 877	11 708	21 805	11 708	21 805	12 594	18 570	12 594	21 805	12 594	5,5			
22 028	11 450	21 805	11 450	24 164	13 154	21 805	11 708	21 952	11 708	21 805	11 708	21 805	12 594	21 609	12 594	21 805	12 594	5,6			
21,0	29,3	25,0	29,3	23,0	30,2	26,1	26,6	18,1	26,6	22,1	26,6	24,0	26,9	15,2	26,9	20,0	26,9	5,7			
28,0	29,3	35,4	29,3	30,3	30,2	30,4	26,6	25,8	26,6	30,4	26,6	27,3	26,9	21,7	26,9	27,3	26,9	5,8			
Hydraulic		Hydraulic		Hydraulic		Hydraulic		Hydraulic		Hydraulic		Hydraulic		Hydraulic		Hydraulic		Hydraulic		5,10	

PERFORMANCE

GM 2,4L		GM 2,4L		Yanmar 4TNE98		Yanmar 4TNE98		GM 2,4L		GM 2,4L		Yanmar 4TNE98		GM 2,4L		GM 2,4L				7,1		
46,2		46,2		48,5		48,5		46,2		46,2		48,5		46,2		46,2				7,2		
2 700		2 700		2 600		2 600		2 700		2 700		2 600		2 700		2 700				7,3		
4	2 400	4	2 400	4	3 319	4	3 319	4	2 400	4	2 400	4	3 319	4	2 400	4	2 400	4	2 400	4	2 400	7,4

ENGINE

Automatic		Automatic		Automatic		Automatic		Automatic		Automatic		Automatic		Automatic		Automatic				8,1	
0-155		0-155		0-155		0-155		0-155		0-155		0-155		0-155		0-155				8,2	
66		66		75		75		66		66		75		66		66				8,3	
80		80		80		80		80		80		80		80		80				8,4	
105		105		104		104		105		105		104		105		105				8,4	
Pin		Pin		Pin		Pin		Pin		Pin		Pin		Pin		Pin				8,5	

OTHER

Mast and capacity information

Values shown are for standard equipment. When using non-standard equipment, these values may change. Please contact your Hyster dealer for information.

Masts H2.0-2.5FT

	Maximum fork height (mm)	Back tilt	Overall lowered height (mm)	Overall extended height (mm)	Free lift (top of forks) (mm)
2-Stage limited free lift	3 290	5°	2 170	4 515 ✦	140 ▽
	3 790	5°	2 420	5 015 ✦	140 ▽
	4 330	5°	2 770	5 555 ✦	140 ▽
	4 830	5°	3 020	6 055 ✦	140 ▽
2-Stage full free lift	3 300	5°	2 170	4 525 ✦	1 555 ▽
3-Stage full free lift	4 350	5°	1 970	5 570 ✦	1 380 ▽
	4 950	5°	2 170	6 170 ✦	1 580 ▽
	5 550	5°	2 420	6 770 ✦	1 830 ▽
	6 000	5°	2 620	7 220 ✦	2 030 ▽

Masts H3.0-3.5FT

	Maximum fork height (mm)	Back tilt	Overall lowered height (mm)	Overall extended height (mm)	Free lift (top of forks) (mm)
2-Stage limited free lift	3 105	5°	2 195	4 335 ✦	150 ▽
	3 605	5°	2 445	4 835 ✦	150 ▽
	4 105	5°	2 795	5 335 ✦	150 ▽
	4 605	5°	3 045	5 835 ✦	150 ▽
2-Stage full free lift	3 110	5°	2 195	4 335 ✦	1 495 ▽
3-Stage full free lift	4 015	5°	1 995	5 245 ✦	1 315 ▽
	4 615	5°	2 195	5 845 ✦	1 515 ▽
	4 915	5°	2 345	6 145 ✦	1 665 ▽
	5 215	5°	2 445	6 445 ✦	1 765 ▽
	5 815	5°	2 695	7 045 ✦	2 015 ▽

H2.0-3.5FT - Capacity chart in kg @ 500 mm load centre

	Pneumatic Shaped Solid Tyres									
	Maximum fork height (mm)	Without sideshift		With integral sideshift		Maximum fork height (mm)	Without sideshift		With integral sideshift	
		H2.0FT	H2.5FT	H2.0FT	H2.5FT		H3.0FT	H3.5FT	H3.0FT	H3.5FT
2-Stage limited free lift	3 290	2 000	2 500	2 000	2 500	3 105	3 000	3 500	2 970	3 490
	3 790	2 000	2 500	2 000	2 500	3 605	3 000	3 500	2 950	3 480
	4 330	2 000	2 500	1 990	2 480	4 105	3 000	3 500	2 940	3 460
	4 830	1 910	2 400	1 890	2 370	4 605	2 890	3 390	2 830	3 340
2-Stage full free lift	3 300	2 000	2 500	2 000	2 500	3 110	3 000	3 500	2 960	3 490
3-Stage full free lift	4 350	2 000	2 500	1 970	2 500	4 015	3 000	3 500	2 930	3 460
	4 950	1 890	2 370	1 850	2 370	4 615	2 900	3 400	2 830	3 350
	5 550	1 760	2 240	1 720	2 220	4 915	2 840	3 320	2 760	3 260
	6 000	1 660	2 120	1 600	2 090	5 215	2 740	3 250	2 680	3 180
						5 815	2 610	2 950	2 510	2 970

H2.0-3.5FT - Capacity chart in kg @ 600 mm load centre

	Pneumatic Shaped Solid Tyres									
	Maximum fork height (mm)	Without sideshift		With integral sideshift		Maximum fork height (mm)	Without sideshift		With integral sideshift	
		H2.0FT	H2.5FT	H2.0FT	H2.5FT		H3.0FT	H3.5FT	H3.0FT	H3.5FT
2-Stage limited free lift	3 290	1 920	2 370	1 840	2 280	3 105	2 820	3 310	2 700	3 180
	3 790	1 910	2 360	1 830	2 270	3 605	2 810	3 300	2 690	3 170
	4 330	1 890	2 350	1 820	2 250	4 105	2 790	3 290	2 670	3 150
	4 830	1 800	2 240	1 720	2 150	4 605	2 690	3 170	2 570	3 040
2-Stage full free lift	3 300	1 920	2 380	1 840	2 280	3 110	2 820	3 310	2 700	3 180
3-Stage full free lift	4 350	1 880	2 380	1 790	2 280	4 015	2 800	3 290	2 670	3 150
	4 950	1 760	2 250	1 690	2 160	4 615	2 700	3 190	2 580	3 050
	5 550	1 630	2 110	1 570	2 020	4 915	2 630	3 110	2 510	2 980
	6 000	1 520	1 990	1 460	1 900	5 215	2 560	3 030	2 440	2 900
						5 815	2 400	2 860	2 290	2 730

H2.0-3.5FT - Capacity chart in kg @ 500 mm load centre

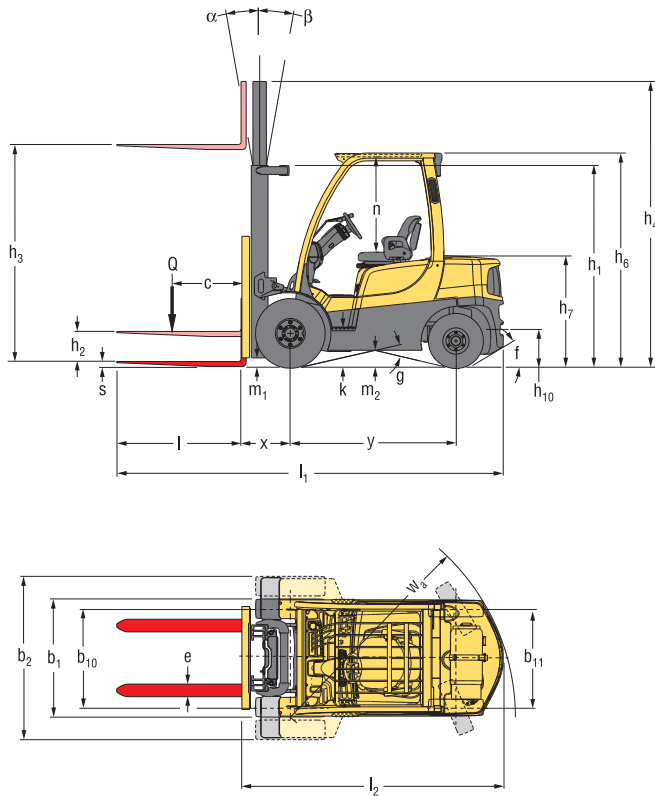
	Michelin XZM (Radial) Tyres									
	Maximum fork height (mm)	Without sideshift		With integral sideshift		Maximum fork height (mm)	Without sideshift		With integral sideshift	
		H2.0FT	H2.5FT	H2.0FT	H2.5FT		H3.0FT	H3.5FT	H3.0FT	H3.5FT
2-Stage limited free lift	3 290	2 000	2 500	2 000	2 500	3 105	3 000	3 500	2 970	3 490
	3 790	2 000	2 500	2 000	2 500	3 605	3 000	3 500	2 950	3 480
	4 330	2 000	2 500	1 990	2 480	4 105	3 000	3 500	2 940	3 460
	4 830	1 900	2 390	1 890	2 360	4 605	2 890	3 340	2 820	3 340
2-Stage full free lift	3 300	2 000	2 500	2 000	2 500	3 110	3 000	3 500	2 960	3 490
3-Stage full free lift	4 350	2 000	2 500	1 970	2 500	4 015	3 000	3 500	2 930	3 430
	4 950	1 880	2 370	1 850	2 370	4 615	2 900	3 400	2 830	3 350
	5 550	1 760	2 240	1 710	2 220	4 915	2 830	3 330	2 750	3 270
	6 000	1 650	2 130	1 600	2 100	5 215	2 760	3 250	2 680	3 190
						5 815	2 610	3 080	2 510	3 000

H2.0-3.5FT - Capacity chart in kg @ 600 mm load centre

	Michelin XZM (Radial) Tyres									
	Maximum fork height (mm)	Without sideshift		With integral sideshift		Maximum fork height (mm)	Without sideshift		With integral sideshift	
		H2.0FT	H2.5FT	H2.0FT	H2.5FT		H3.0FT	H3.5FT	H3.0FT	H3.5FT
2-Stage limited free lift	3 290	1 920	2 370	1 840	2 280	3 105	2 820	3 310	2 700	3 180
	3 790	1 910	2 360	1 830	2 270	3 605	2 810	3 300	2 690	3 170
	4 330	1 890	2 350	1 810	2 250	4 105	2 790	3 290	2 670	3 150
	4 830	1 790	2 240	1 720	2 150	4 605	2 690	3 170	2 570	3 040
2-Stage full free lift	3 300	1 920	2 380	1 840	2 280	3 110	2 820	3 310	2 700	3 180
3-Stage full free lift	4 350	1 880	2 380	1 790	2 280	4 015	2 800	3 290	2 670	3 150
	4 950	1 760	2 250	1 680	2 150	4 615	2 700	3 190	2 580	3 050
	5 550	1 630	2 110	1 560	2 020	4 915	2 630	3 110	2 510	2 980
	6 000	1 520	1 990	1 450	1 910	5 215	2 550	3 040	2 440	2 900
						5 815	2 400	2 860	2 290	2 740

Note: To calculate truck capacities with alternative truck specifications to the ones shown in the above tables, please consult your Hyster dealer. The rated capacities shown are for masts in a vertical position on trucks equipped with standard or sideshift carriage, and nominal length forks. Masts above the maximum fork heights shown in the mast table are classified as high lift, and depending on the tyre/tread configuration may require reduced capacity, restricted back tilt or wide tread.

Truck dimensions



 = Centre of gravity of unladen truck

$Ast = W_a + x + l_6 + a$ (see lines 4.33 & 4.34)

a = Minimum operating clearance

(V.D.I. standard = 200 mm BITA recommendation = 300 mm)

l_6 = Load length

NOTE:

Specifications are affected by the condition of the vehicle and how it is equipped, as well as the nature and condition of the operating area. If these specifications are critical, the proposed application should be discussed with your dealer.

- ¶ Bottom of forks
 - + Without load backrest
 - h_6 subject to +/- 5 mm tolerance
 - Full-suspension seat in depressed position
 - Subtract 32 mm without load backrest
 - ◆ Stacking aisle width (lines 4.33 & 4.34) are based on the V.D.I. standard calculation as shown on illustration. The British Industrial Truck Association recommends the addition of 100 mm to the total clearance (dimension a) for extra operating margin at the rear of the truck.
 - † Gradeability figures (lines 5.7 & 5.8) are provided for comparison of tractive performance, but are not intended to endorse the operation of the vehicle on the stated inclines. Follow instructions in the operating manual regarding operation on inclines.
 - ⊞ Variable
 - ◇ Measured according to the test cycles and based on the weighting values contained in EN12053
 - ☎ Consult your Hyster lift truck dealer
- Mast tables:**
- ❖ With load backrest
 - ▽ Without load backrest
 - Wide tread or Dual Drive Wheels required
 - * Dual Drive Wheels required

Notice

Care must be exercised when handling elevated loads. When the carriage and/or load is elevated, truck stability is reduced. It is important that mast tilt in either direction be kept to a minimum when loads are elevated. Operators must be trained and adhere to the instructions contained in the Operating Manual.

Hyster products are subject to change without notice. Lift trucks illustrated may feature optional equipment.



This truck conforms to the current EU requirements.

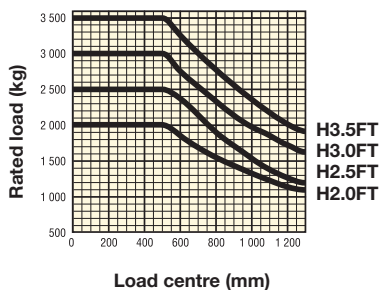
Model

H2.0FT H2.5FT H3.0FT H3.5FT

Dimensions (mm)

f	48%	44%	52%	54%
g	25,3°	25,3°	28,0°	28,0°
k	382	382	407	407
n	1 068	1 068	1 068	1 068

Rated capacities



Load centre

Distance from front of forks to centre of gravity of load.

Rated load

Based on vertical masts up to 4 350 mm (H2.0-2.5FT) and 4 015 mm (H3.0-3.5FT).

Product Packages

The Hyster Fortens™ range has been designed to match the vast range of application requirements and business objectives that customers demand.

The H2.0-3.5FT Series is available in several truck packages, with multiple powertrain combinations to choose from, to best match operational demands. Each configuration offers improved efficiency, advanced dependability, lower cost of operations and simple serviceability.

Model / Bundle	H2.0FT			H2.5FT		
DIESEL	Engine	Transmission	Brakes	Engine	Transmission	Brakes
Fortens	Yanmar 2.6l	Powershift Transmission 1 speed	Drum	Yanmar 2.6l	Powershift Transmission 1 speed	Drum
	-	-	-	Yanmar 3.3l	Powershift Transmission 1 speed	Drum
Fortens Advance	Yanmar 2.6l	DuraMatch™ Electronic 1 speed	ADS Drum	Yanmar 2.6l	DuraMatch™ Electronic 1 speed	ADS Drum
	Yanmar 2.6l	DuraMatch™ Electronic 1 speed	Wet	Yanmar 2.6l	DuraMatch™ Electronic 1 speed	Wet
Fortens Advance+	Yanmar 3.3l	DuraMatch™ Electronic 1 speed	ADS Drum	Yanmar 3.3l	DuraMatch™ Electronic 1 speed	ADS Drum
	Yanmar 3.3l	DuraMatch™ Electronic 1 speed	Wet	Yanmar 3.3l	DuraMatch™ Electronic 1 speed	Wet
	Yanmar 3.3l	DuraMatch™ Plus 2 speed	Wet	Yanmar 3.3l	DuraMatch™ Plus 2 speed	Wet
Model / Bundle	H3.0FT			H3.5FT		
DIESEL	Engine	Transmission	Brakes	Engine	Transmission	Brakes
Fortens	Yanmar 2.6l	Powershift Transmission 1 speed	Drum	-	-	-
	Yanmar 3.3l	Powershift Transmission 1 speed	Drum	Yanmar 3.3l	Powershift Transmission 1 speed	Drum
Fortens Advance	Yanmar 2.6l	DuraMatch™ Electronic 1 speed	ADS Drum	Yanmar 3.3l	DuraMatch™ Electronic 1 speed	ADS Drum
	Yanmar 2.6l	DuraMatch™ Electronic 1 speed	Wet	Yanmar 3.3l	DuraMatch™ Electronic 1 speed	Wet
Fortens Advance+	Yanmar 3.3l	DuraMatch™ Electronic 1 speed	ADS Drum	Yanmar 3.3l	DuraMatch™ Plus2 2 speed	Wet
	Yanmar 3.3l	DuraMatch™ Electronic 1 speed	Wet	-	-	-
	Yanmar 3.3l	DuraMatch™ Plus 2 speed	Wet	-	-	-
Model / Bundle	H2.0FT			H2.5FT		
LPG	Engine	Transmission	Brakes	Engine	Transmission	Brakes
Fortens	Mazda 2.0l	Powershift Transmission 1 speed	Drum	Mazda 2.0l	Powershift Transmission 1 speed	Drum
Fortens Advance	Mazda 2.2l	DuraMatch™ Electronic 1 speed	ADS Drum	Mazda 2.2l	DuraMatch™ Electronic 1 speed	ADS Drum
	Mazda 2.2l	DuraMatch™ Electronic 1 speed	Wet	Mazda 2.2l	DuraMatch™ Electronic 1 speed	Wet
Fortens Advance+	GM 2.4l	DuraMatch™ Electronic 1 speed	ADS Drum	GM 2.4l	DuraMatch™ Electronic 1 speed	ADS Drum
	GM 2.4l	DuraMatch™ Electronic 1 speed	Wet	GM 2.4l	DuraMatch™ Electronic 1 speed	Wet
	GM 2.4l	DuraMatch™ Plus 2 speed	Wet	GM 2.4l	DuraMatch™ Plus 2 speed	Wet
Model / Bundle	H3.0FT			H3.5FT		
LPG	Engine	Transmission	Brakes	Engine	Transmission	Brakes
Fortens	Mazda 2.0l	Powershift Transmission 1 speed	Drum	Mazda 2.2l	Powershift Transmission 1 speed	Drum
Fortens Advance	Mazda 2.2l	DuraMatch™ Electronic 1 speed	ADS Drum	Mazda 2.2l	DuraMatch™ Electronic 1 speed	ADS Drum
	Mazda 2.2l	DuraMatch™ Electronic 1 speed	Wet	Mazda 2.2l	DuraMatch™ Electronic 1 speed	Wet
Fortens Advance+	GM 2.4l	DuraMatch™ Electronic 1 speed	ADS Drum	GM 2.4l	DuraMatch™ Electronic 1 speed	ADS Drum
	GM 2.4l	DuraMatch™ Electronic 1 speed	Wet	GM 2.4l	DuraMatch™ Electronic 1 speed	Wet
	GM 2.4l	DuraMatch™ Plus 2 speed	Wet	GM 2.4l	DuraMatch™ Plus 2 speed	Wet

Please refer to the Price List for full option configurations.

Product Features

The Standard Fortens model features an Electronic Powershift Transmission.

The Fortens Advance & Fortens Advance+ models are available with the electronically controlled **DuraMatch™ transmission**, providing:

- **Auto Deceleration System (ADS)** automatically slows the truck when the accelerator pedal is released, and finally brings the truck to a stop, which helps to significantly extend brake life. In addition, this feature assists the driver to accurately position the truck in front of a load. There are 10 ADS settings, programmable via the dash display by a service technician, which deliver different braking characteristics, from very gradual to aggressive, to suit the needs of the application.
- **Controlled Power Reversal;** the Pacesetter VSM™ controls the transmission to deliver smooth direction changes. The VSM reduces the throttle to slow the engine, initiates auto-deceleration to stop the truck, changes the transmission direction automatically and increases the throttle to accelerate the truck. The system virtually eliminates tyre spin and shock loads on the transmission and significantly increases tyre life. As with ADS, the system is programmable via the dash display by a service technician, with settings from 1 to 10, to suit the needs of the application.
- **Controlled Roll-Back on Ramp;** the transmission controls the rate of descent of the truck on a ramp, when the brake and throttle pedal are released, to provide maximum control on a grade and increase operator productivity.

The Fortens Advance+ models are also available with the electronically controlled two-speed extended function **DuraMatch™ Plus2 transmission**, as an option. This transmission, in addition to the above, features:

- **Throttle Response Management** allows the operator to manage his travel speed, according to the position of his foot on the accelerator pedal. For example, a certain speed can be maintained both on the flat and on a gradient, without the need to depress the pedal further. The system also compensates for hydraulic operation and drawbar pull.
- **Dynamic Auto Deceleration System;** as with the DuraMatch™, the operator can slow the truck down without using the brake and the rate of braking is determined by the dashboard settings 1-10. In addition, thanks to the Throttle Response Management feature, the rate of deceleration can be further fine-tuned according to the rate at which the driver releases his foot from the accelerator pedal.
- **Auto-Speed Hydraulics with Automatic Inching Control;** when lifting a load, the engine speed is automatically increased to provide full hydraulic power. The Pacesetter VSM™ maintains the current travel speed (or prevents travel) until operator steps on accelerator. No operator inching is required and productivity is increased by simplifying operator actions.
- **First Gear** offers **Increased Drawbar Pull** for use on gradients.
- **Second Gear** provides maximum engine efficiency in applications where longer travel distances are common.

The transmissions are compatible with 4 available aluminium core radiators and a superior counterweight tunnel design coupled with a "pusher" type fan, to provide the industry's best cooling.

The available Oil-immersed brakes offer reduced maintenance & repair time and costs, which results in extended truck dependability and uptime.

Trucks fitted with Oil-immersed brakes are ideally suited to applications in wet, dirty or corrosive environments, and ensure consistent braking performance over the lifetime of the truck. This is thanks to the sealed unit that houses and protects the brakes, so preventing contaminants and damage.

All powertrains are controlled, protected and managed by The **Pacesetter™ VSM** industrial onboard computer featuring a CANbus communications network.

This system permits adjustment and optimisation of the truck's performance, in addition to monitoring key functions. It enables quick, easy diagnostics, minimizing repair downtime and unnecessary parts swapping.

Hassle-Free Hydraulic systems, featuring Leak-free O-ring face seal fittings reduce leaks for enhanced reliability.

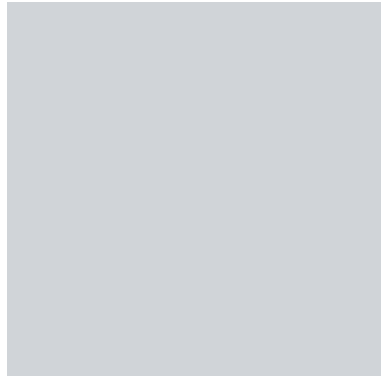
Non-mechanical, Hall-Effect sensors and switches have been fitted and are designed to outlast the life of the truck.

The operator compartment features class-leading **Ergonomics** for maximum driver comfort and productivity.

- Operator space is optimised, thanks to a new overhead guard design and significantly more floor space.
- The Easy-to-use 3-point entry design of the operator compartment has an open non-slip step with a height of just 38 cm.
- The isolated drivetrain minimises the effect of powertrain vibration.
- The adjustable armrest that accompanies the TouchPoint™ or TouchControl™ E-hydraulic configurations moves with the seat and telescopes forward.
- The rear grab handle with horn button facilitates reverse driving.
- An infinitely adjustable steering column, 30 cm diameter steering wheel with spinner knob and full-suspension seat enhance driver comfort.

The Hyster Fortens is the fastest and easiest lift truck to **Service**.

- Complete cowl-to-counterweight service access and simplified layout of wiring and hydraulics offers greater access to components, which in turn decreases service time for unscheduled repairs and regular maintenance.
- Fast, colour-coded daily checks and diagnostic systems can be managed via the dash display.
- An Engine coolant change and Hydraulic oil change interval of 4 000 hours also contributes to reduced downtime.



**Strong Partners, Tough Trucks,
for Demanding Operations Everywhere.**

Hyster supplies a complete product range, including Warehouse trucks, IC and Electric Counterbalanced trucks, Container Handlers and Reach Stackers.

Hyster is committed to being much more than a lift truck supplier. Our aim is to offer a complete partnership capable of responding to the full spectrum of materials handling issues:

Whether you need professional consultancy on your fleet management, fully qualified service support, or reliable parts supply, you can depend on Hyster.

Our network of highly trained dealers provides expert, responsive local support. They can offer cost-effective finance packages and introduce effectively managed maintenance programmes to ensure that you get the best possible value. Our business is dealing with your materials handling needs so you can focus on the success of your business today and in the future.




Hyster Europe, Flagship House, Reading Road North, Fleet, Hants GU51 4WD, England.

Tel: +44 (0) 1252 810261 Fax: +44 (0) 1252 770702

Email: info@hyster.co.uk <http://www.hyster.co.uk>

A division of NACCO Materials Handling Limited.

Hyster®, **HYSTER**®, Vista® and Monotrol® are registered trademarks of Hyster Company in the United States and in certain other countries. ™, Fortens™, Pacesetter VSM™, DuraMatch™, DuraMatch Plus™, TouchPoint™, TouchControl™, EZXchange & HSM™ are trademarks of Hyster Company in the United States and in certain other countries.

