

Engine powered forklift 3.5 - 5.0 ton

7FG/7FD



TOYOTA

MATERIAL HANDLING

stronger together

Engine powered forklifts 3.5 ton

Truck specifications					02-7FG35	42-7FD35
Identification	1.1	Manufacturer			Toyota	Toyota
	1.2	Model			02-7FG35	42-7FD35
	1.3	Drive			Gasoline	Diesel
	1.4	Operator type			Rider seated	Rider seated
	1.5	Load capacity/rated load	Q	kg	4000 [3500]	4000 [3500]
	1.6	Load centre	c	mm	500 [600]	500 [600]
	1.8	Load distance, centre of drive axle to fork	x	mm	520	520
	1.9	Wheelbase	y	mm	1840	1840
	Weight	2.1	Service weight			5720
2.2		Axle load, with load, front/rear			8650/1070 ¹⁾	8690/1160 ¹⁾
2.3		Axle load, without load, front/rear			2430/3290	2470/3380
Tyres	3.1	Tyre - pneumatic (P), pneumatic shaped cushion (SE), solid rubber (R)			P	P
	3.2	Tyre size, front			250-15-16PR(I)	250-15-16PR(I)
	3.3	Tyre size, rear			7.00-12-12PR(I)	7.00-12-12PR(I)
	3.5	Wheels, number front/rear (x=driven wheels)			2x/2	2x/2
	3.6	Track width, front	b ₁₀	mm	1115	1115
	3.7	Track width, rear	b ₁₁	mm	1100	1090
	Dimensions	4.1	Tilt of mast/fork carriage forward/backward	α/β	deg	6/12
4.2		Height, mast lowered	h ₁	mm	2110	2110
4.3		Free lift	h ₂	mm	110	110
4.4		Lift	h ₃	mm	2950	2950
		Lift height	h ₂₃	mm	3000	3000
4.5		Height, mast extended	h ₄	mm	4220	4220
4.7		Height of overhead guard (cab)	h ₆	mm	2190	2190
4.8		Seat height	h ₇	mm	1110	1110
4.12		Coupling height	h ₁₀	mm	370	370
4.19		Overall length	l ₁	mm	4005	3975
4.20		Length to face of forks	l ₂	mm	2935	2905
4.21		Overall width	b ₁	mm	1350	1350
4.22		Fork dimensions	s/e/l	mm	50/140/1070	50/140/1070
4.23		Fork carriage DIN 15 173, class/type A, B			IIIA	IIIA
4.24		Fork-carriage width	b ₃	mm	1170	1170
4.31		Ground clearance, with load, below mast	m ₁	mm	120	120
4.32		Ground clearance, centre of wheelbase	m ₂	mm	170	170
4.33		Aisle width for pallets 1000 x 1200 crossways	A _{st}	mm	4330	4310
4.34		Aisle width for pallets 800 x 1200 lengthways	A _{st}	mm	4530	4510
4.35		Turning radius	W _a	mm	2610	2590
4.36	Internal turning radius	b ₁₃	mm	840	840	
Performance data	5.1	Travel speed, with/without load		km/h	24,0/24,5	24,0/24,0
	5.2	Lift speed, with/without load		m/s	0,51/0,55	0,51/0,55
	5.3	Lowering speed, with/without load		m/s	0,50/0,55	0,50/0,55
	5.6	Max. drawbar pull, with/without load		N	35300/13700	35300/13700
	5.7	Gradeability, with load		%	38	39
	5.8	Max. gradeability, with/without load		%	42/22	43/21
	5.10	Service brake			Hydraulic	Hydraulic
Combustion engine	7.1	Engine manufacturer/type			Toyota 1FZ-E	Toyota 15Z
	7.2	Engine power acc. to ISO 1585		kW	63	55
	7.3	Rated speed		1/min	2350	2100
	7.4	No. of cylinders/displacement		cm ³	6/4476	6/5204
Others	8.2	Operating pressure for attachments		bar	181	181
	8.3	Oil volume for attachments		l/min	95	95
	8.4	Sound level at the driver's ear according to EN 12 053		dB(A)	82	82

¹⁾ With 600 mm load center: 7FG35 = 8060/1160 mm; 7FD35 = 8110/1240 mm

Performance data and dimensions are nominal and subject to tolerances. Specifications are subject to change without notice. Please obtain the latest specifications before contracting products.

Engine powered forklifts 4.0 - 4.5 ton

Truck specifications					02-7FG40	42-7FD40	02-7FG45	42-7FD45
Identification	1.1	Manufacturer			Toyota	Toyota	Toyota	Toyota
	1.2	Model			02-7FG40	42-7FD40	02-7FG45	42-7FD45
	1.3	Drive			Gasoline	Diesel	Gasoline	Diesel
	1.4	Operator type			Rider seated	Rider seated	Rider seated	Rider seated
	1.5	Load capacity/rated load	Q	kg	4500 [4000]	4500 [4000]	4990 [4500]	4990 [4500]
	1.6	Load centre	c	mm	500 [600]	500 [600]	500 [600]	500 [600]
	1.8	Load distance, centre of drive axle to fork	x	mm	555	555	575	575
	1.9	Wheelbase	y	mm	2000	2000	2000	2000
	Weight	2.1	Service weight			6290	6440	6680
2.2		Axle load, with load, front/rear			9600/1190 ¹⁾	9670/1270 ¹⁾	10480/1200 ¹⁾	10580/1280 ¹⁾
2.3		Axle load, without load, front/rear			2730/3560	2800/3640	2790/3890	2890/3970
Tyres	3.1	Tyre - pneumatic (P), pneumatic shaped cushion (SE), solid rubber (R)			P	P	P	P
	3.2	Tyre size, front			300-15-18PR(I)	300-15-18PR(I)	300-15-18PR(I)	300-15-18PR(I)
	3.3	Tyre size, rear			7.00-12-12PR(I)	7.00-12-12PR(I)	7.00-12-12PR(I)	7.00-12-12PR(I)
	3.5	Wheels, number front/rear (x=driven wheels)			2x/2	2x/2	2x/2	2x/2
	3.6	Track width, front	b ₁₀	mm	1150	1150	1150	1150
	3.7	Track width, rear	b ₁₁	mm	1100	1090	1100	1100
	Dimensions	4.1	Tilt of mast/fork carriage forward/backward	α/β	deg	6/12	6/12	6/12
4.2		Height, mast lowered	h ₁	mm	2110	2110	2200	2200
4.3		Free lift	h ₂	mm	115	115	115	115
4.4		Lift	h ₃	mm	2945	2945	2945	2945
		Lift height	h ₂₃	mm	3000	3000	3000	3000
4.5		Height, mast extended	h ₄	mm	4220	4220	4220	4220
4.7		Height of overhead guard (cab)	h ₆	mm	2285	2285	2285	2285
4.8		Seat height/stand height	h ₇	mm	1205	1205	1205	1205
4.12		Coupling height	h ₁₀	mm	370	370	370	370
4.19		Overall length	l ₁	mm	4150	4120	4210	4180
4.20		Length to face of forks	l ₂	mm	3080	3050	3140	3110
4.21		Overall width	b ₁	mm	1450	1450	1450	1450
4.22		Fork dimensions	s/e/l	mm	55/140/1070	55/140/1070	55/140/1070	55/140/1070
4.23		Fork carriage DIN 15 173, class/type A, B			IIIA	IIIA	IIIA	IIIA
4.24		Fork-carriage width	b ₃	mm	1170	1170	1170	1170
4.31		Ground clearance, with load, below mast	m ₁	mm	115	115	115	115
4.32		Ground clearance, centre of wheelbase	m ₂	mm	185	185	185	185
4.33		Aisle width for pallets 1000 x 1200 crossways	A _{st}	mm	4465	4445	4535	4505
4.34	Aisle width for pallets 800 x 1200 lengthways	A _{st}	mm	4665	4645	4735	4705	
4.35	Turning radius	W _a	mm	2710	2690	2760	2730	
4.36	Internal turning radius	b ₁₃	mm	880	880	880	880	
Performance data	5.1	Travel speed, with/without load		km/h	24,0/24,5	23,5/24,0	23,5/24,0	23,5/24,0
	5.2	Lift speed, with/without load		m/s	0,51/0,55	0,51/0,55	0,44/0,48	0,48/0,52
	5.3	Lowering speed, with/without load		m/s	0,50/0,55	0,50/0,55	0,50/0,50	0,50/0,50
	5.6	Max. drawbar pull, with/without load		N	36300/15700	36300/15700	36300/16700	36300/16700
	5.7	Gradeability, with load		%	34	35	30	32
	5.8	Max. gradeability, with/without load		%	38/22	39/22	34/22	35/22
	5.10	Service brake			Hydraulic	Hydraulic	Hydraulic	Hydraulic
Combustion engine	7.1	Engine manufacturer/type			Toyota 1FZ-E	Toyota 15Z	Toyota 1FZ-E	Toyota 15Z
	7.2	Engine power acc. to ISO 1585		kW	63	55	63	55
	7.3	Rated speed		1/min	2350	2100	2350	2100
	7.4	No. of cylinders/displacement		cm ³	6/4476	6/5204	6/4476	6/5204
Others	8.2	Operating pressure for attachments		bar	181	181	181	181
	8.3	Oil volume for attachments		l/min	95	98	95	106
	8.4	Sound level at the driver's ear according to EN 12 053		dB(A)	82	83	82	83

¹⁾ With 600 mm load center: 7FG40 = 9040/1250 mm; 7FD40 = 9110/1330 mm;
7FG45 = 9930/1250 mm; 7FD45 = 10030/1330 mm

Performance data and dimensions are nominal and subject to tolerances.
Specifications are subject to change without notice.
Please obtain the latest specifications before contracting products.

Engine powered forklifts 5.0 ton

Truck specifications					02-7FGA50	42-7FDA50
Identification	1.1	Manufacturer			Toyota	Toyota
	1.2	Model			02-7FGA50	42-7FDA50
	1.3	Drive			Gasoline	Diesel
	1.4	Operator type			Rider seated	Rider seated
	1.5	Load capacity/rated load	Q	kg	5000	5000
	1.6	Load centre	c	mm	600	600
	1.8	Load distance, centre of drive axle to fork	x	mm	570	570
	1.9	Wheelbase	y	mm	2000	2000
	Weight	2.1	Service weight			7300
2.2		Axle load, with load, front/rear			11030/1270	11130/1350
2.3		Axle load, without load, front/rear			3100/4200	3200/4280
Tyres	3.1	Tyre - pneumatic (P), pneumatic shaped cushion (SE), solid rubber (R)			P	P
	3.2	Tyre size, front			300-15-18PR(I)	300-15-18PR(I)
	3.3	Tyre size, rear			7.00-12-14PR(I)	7.00-12-14PR(I)
	3.5	Wheels, number front/rear (x=driven wheels)			2x/2	2x/2
	3.6	Track width, front	b ₁₀	mm	1150	1150
	3.7	Track width, rear	b ₁₁	mm	1100	1100
	Dimensions	4.1	Tilt of mast/fork carriage forward/backward	α/β	deg	6/12
4.2		Height, mast lowered	h ₁	mm	2450	2450
4.3		Free lift	h ₂	mm	120	120
4.4		Lift	h ₃	mm	2937	2937
		Lift height	h ₂₃	mm	3000	3000
4.5		Height, mast extended	h ₄	mm	4370	4370
4.7		Height of overhead guard (cab)	h ₆	mm	2285	2285
4.8		Seat height/stand height	h ₇	mm	1205	1205
4.12		Coupling height	h ₁₀	mm	370	370
4.19		Overall length	l ₁	mm	4400	4370
4.20		Length to face of forks	l ₂	mm	3180	3150
4.21		Overall width	b ₁	mm	1450	1450
4.22		Fork dimensions	s/e/l	mm	63/150/1220	63/150/1220
4.23		Fork carriage DIN 15 173, class/type A, B			IVA	IVA
4.24		Fork-carriage width	b ₃	mm	1170	1170
4.31		Ground clearance, with load, below mast	m ₁	mm	110	110
4.32		Ground clearance, centre of wheelbase	m ₂	mm	180	180
4.33		Aisle width for pallets 1000 x 1200 crossways	A _{st}	mm	4580	4550
4.34		Aisle width for pallets 800 x 1200 lengthways	A _{st}	mm	4780	4750
4.35	Turning radius	W _e	mm	2810	2780	
4.36	Internal turning radius	b ₁₃	mm	880	880	
Performance data	5.1	Travel speed, with/without load		km/h	23,5/24,0	23,5/24,0
	5.2	Lift speed, with/without load		m/s	0,44/0,48	0,48/0,52
	5.3	Lowering speed, with/without load		m/s	0,50/0,50	0,50/0,50
	5.6	Max. drawbar pull, with/without load		N	36300/17600	36300/17600
	5.7	Gradeability, with load		%	28	29
	5.8	Max. gradeability, with/without load		%	31/22	32/22
	5.10	Service brake			Hydraulic	Hydraulic
Combustion engine	7.1	Engine manufacturer/type			Toyota 1FZ-E	Toyota 15Z
	7.2	Engine power acc. to ISO 1585		kW	63	55
	7.3	Rated speed		1/min	2350	2100
	7.4	No. of cylinders/displacement		cm ³	6/4476	6/5204
Others	8.2	Operating pressure for attachments		bar	181	181
	8.3	Oil volume for attachments		l/min	95	106
	8.4	Sound level at the driver's ear according to EN 12 053		dB(A)	82	83

Performance data and dimensions are nominal and subject to tolerances.

Specifications are subject to change without notice.

Please obtain the latest specifications before contracting products.

Master dimensions and rated capacities

7FG/7FD

Model			V									FSV							
7FG/DA50	Lift height	h_{23}	2000	2500	2700	3000	3300	3500	3700	4000	4500	5000	3700	4000	4300	4700	5000	5500	6000
	Lift	h_3	1937	2437	2637	2937	3237	3437	3637	3937	4437	4937	3637	3937	4237	4637	4937	5437	5937
	Height, mast lowered	h_1	1950	2200	2350	2450	2600	2800	2800	3050	3300	3550	2200	2270	2350	2450	2600	2800	3050
	Height, mast extended ¹⁾	h_4	2845	3345	3545	3845	4145	4345	4545	4845	5345	5845	4570	4870	5170	5570	5870	6370	6870
	Height, mast extended ²⁾	h_4	3370	3870	4070	4370	4670	4870	5070	5370	5870	6370	5070	5370	5670	6070	6370	6870	7370
	Free lift, without load backrest	h_2	120	120	120	120	120	120	120	120	120	120	1330	1400	1480	1580	1730	1930	2180
	Free lift, with load backrest	h_2	120	120	120	120	120	120	120	120	120	120	830	900	980	1080	1230	1430	1680

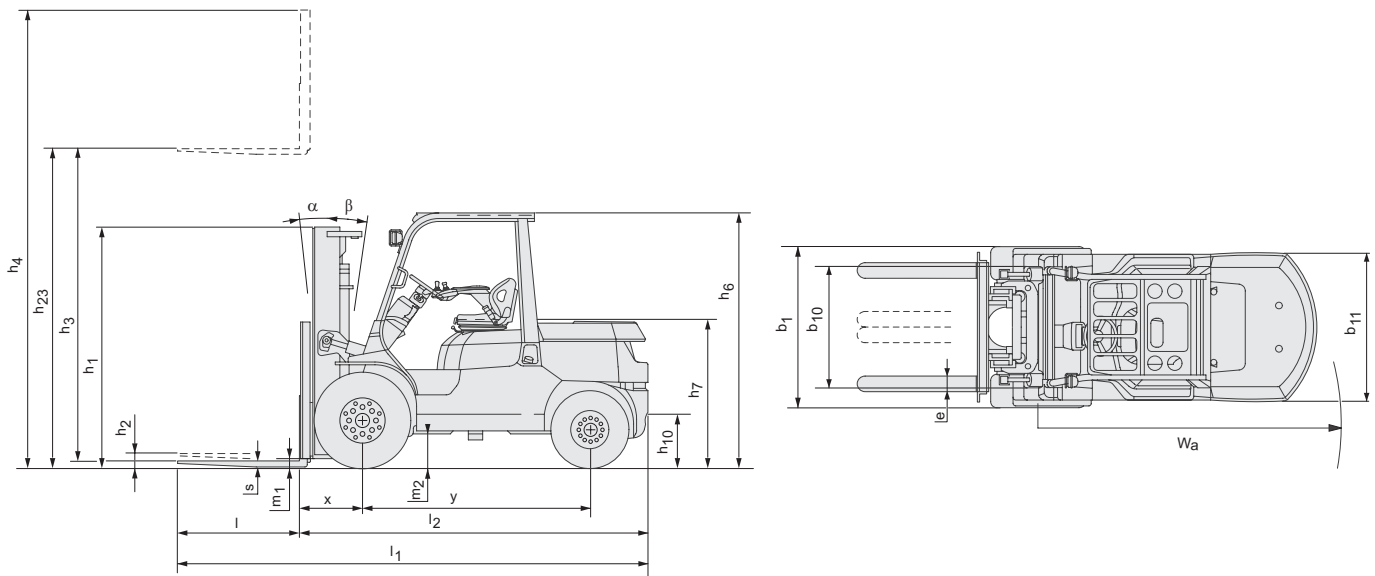
1) Without load backrest

2) With load backrest; Height of standard load backrest is 1370 mm

Single tyre			V									FSV							
7FG/DA50	Tilt range, forward	deg	6	6	6	6	6	6	6	6	6	6	6	6	6	6	6	6	6
	Tilt range, backward	deg	12(6)	12(8)	12(10)	12(10)	12(10)	12(10)	12(10)	12(10)	12(10)	12(10)	6	6	6	6	6	6	6
	Load capacity at 600 mm LC	kg	5000	5000	5000	5000	5000	5000	5000	5000	5000	4000	5000	4900	4800	4300	4100	3100	2400

Dual tyre			V									FSV							
7FG/DA50	Tilt range, forward	deg	6	6	6	6	6	6	6	6	6	6	6	6	6	6	6	6	6
	Tilt range, backward	deg	12(6)	12(8)	12(10)	12(10)	12(10)	12(10)	12(10)	12(10)	12(10)	12(10)	6	6	6	6	6	6	6
	Load capacity at 600 mm LC	kg	5000	5000	5000	5000	5000	5000	5000	5000	5000	4800	5000	4900	4800	4600	4500	4300	4100

Data in () are for when "Cabin Series" or "Cabin Series" + "A4 piping" is selected (minimum front windshield).



Standard equipments:

- Toyota SAS (System of Active Stability*)
- Toyota OPS (Operator Presence Sensing)
- Toyota ORS (Operator Restraint System) seat
- Wide visible mast (MFH: 3000 mm)
- Load backrest [Height: 1220 mm (7FG/D35.40.45); 1370 mm (7FG/DA50)]
- Long forks [Length: 1070 mm (7FG/D35.40.45); 1220 mm (7FG/DA50)]
- Long forkbar (Length: 1170 mm)
- 2-way valve
- Dual brake system
- Pneumatic tyres
- Full hydraulic power steering
- 8" cyclone air cleaner with snorkel air intake
- Headlights
- Combination meter including self diagnostic system
- Memory tilt steering column

* When dual tyres are selected, the Active Control Rear Stabilizer function of the SAS system of Active Stability (SAS) is not included.



TP-Technical Publications, Sweden — 745560-040, version 3, 1007 — 7FG/7FD