

# Pedestrian stacker truck 1.25 - 2.0 ton

## BT staxio

*P-series*

SPE125

SPE160

SPE200



# Pedestrian stacker

Specification for stacker trucks					SPE125	SPE160	SPE200
Identification	1.1	Manufacturer			BT	BT	BT
	1.2	Model			SPE125	SPE160	SPE200
	1.3	Drive			Electric	Electric	Electric
	1.4	Operator type			Pedestrian	Pedestrian	Pedestrian
	1.5	Load capacity/rated load	Q	kg	1250	1600	2000
	1.6	Load centre	c	mm	600	600	600
	1.8	Load distance, back of fork to bogie wheel centre	x	mm	830	783	781
	1.9	Wheelbase	y	mm	1445	1544	1440
	Weight	2.1	Service weight with battery		kg	1330	1440
2.2		Axle load, with load, drive/castor/support arm wheel		kg	530/630/1420	620/610/1810	595/665/2220
2.3		Axle load, without load, drive/castor/support arm wheel		kg	390/600/340	390/640/410	400/670/410
Wheels	3.1	Drive/castor/fork wheel			Powerfriction/Vulkokilan/Vulkollan		
	3.2	Wheel size, front		mm	Ø215	Ø215	Ø215
	3.3	Wheel size, rear		mm	Ø125x50	Ø125x50	Ø125x50
	3.4	Additional wheels (dimensions)		mm	Ø85x75	Ø85x75	Ø85x75
	3.5	Wheels, number front/rear (x=driven wheels)			1x+2/2	1x+2/2	1x+2/2
Dimensions	4.2	Height, mast lowered	$h_1$	mm	1950	2405	1745
	4.3	Free lift	$h_2$	mm	1475	1798	1140
	4.4	Lift	$h_3$	mm	4060	5310	2060
		Lift height	$h_{23}$	mm	4150	5400	2150
	4.5	Height, mast extended	$h_4$	mm	4675	6055	2800
	4.8	Stand height (optional platform)	$h_7$	mm	150	150	150
	4.9	Height of tiller in drive position, min./max.	$h_{14}$	mm	1435	1435	1435
	4.15	Height, fork lowered	$h_{13}$	mm	90	90	90
	4.19	Overall length	$l_1$	mm	2013	2158	2063
	4.20	Length to face of forks	$l_2$	mm	863	1008	913
	4.21	Overall width	$b_1$	mm	790	790	850
	4.22	Fork dimensions	s/e/l	mm	65/180/1150	70/180/1150	70/180/1150
	4.25	Width over forks	$b_5$	mm	570	570	570
	4.31	Ground clearance, with load, below mast	$m_1$	mm	24	24	24
	4.32	Ground clearance, centre of wheelbase	$m_2$	mm	20	20	20
4.33	Aisle width for pallets 1000x1200 crossways	$A_{st}$	mm	2538	2649	2554	
4.34	Aisle width for pallets 800 x 1200 lengthways	$A_{st}$	mm	2459	2588	2495	
4.35	Turning radius	$W_a$	mm	1715	1811	1716	
Performance data	5.1	Travel speed, with/without load		km/h	7,0/8,0	7,0/8,0	6,0/6,0
	5.2	Lift speed, with/without load		m/s	0,17/0,33	0,12/0,24	0,12/0,25
	5.3	Lowering speed, with/without load		m/s	0,51/0,49	0,35/0,34	0,39/0,36
	5.8	Max. gradeability, with/without load <sup>1)</sup>		%	10/12	10/12	10/12
	5.10	Service brake			Electromagnetic	Electromagnetic	Electromagnetic
Electric motor	6.1	Drive motor rating S2 60 min		kW	1,7	1,7	1,7
	6.2	Lift motor rating at S3 11%		kW	3,0	3,0	3,0
	6.4	Battery voltage/nominal capacity $K_5$		V/Ah	24/255	24/425	24/255-425
	6.5	Battery weight min./max.		kg	244	362	200-250/300-370
	Others	8.1	Type of drive control			BT Powerdrive	BT Powerdrive

<sup>1)</sup> Measured according to company standard

All data are based on table configuration. Other configurations may give other values.

Truck performance and dimensions are nominal and subject to tolerances.

BT products and specifications are subject to change without notice.

# Battery dependent dimensions

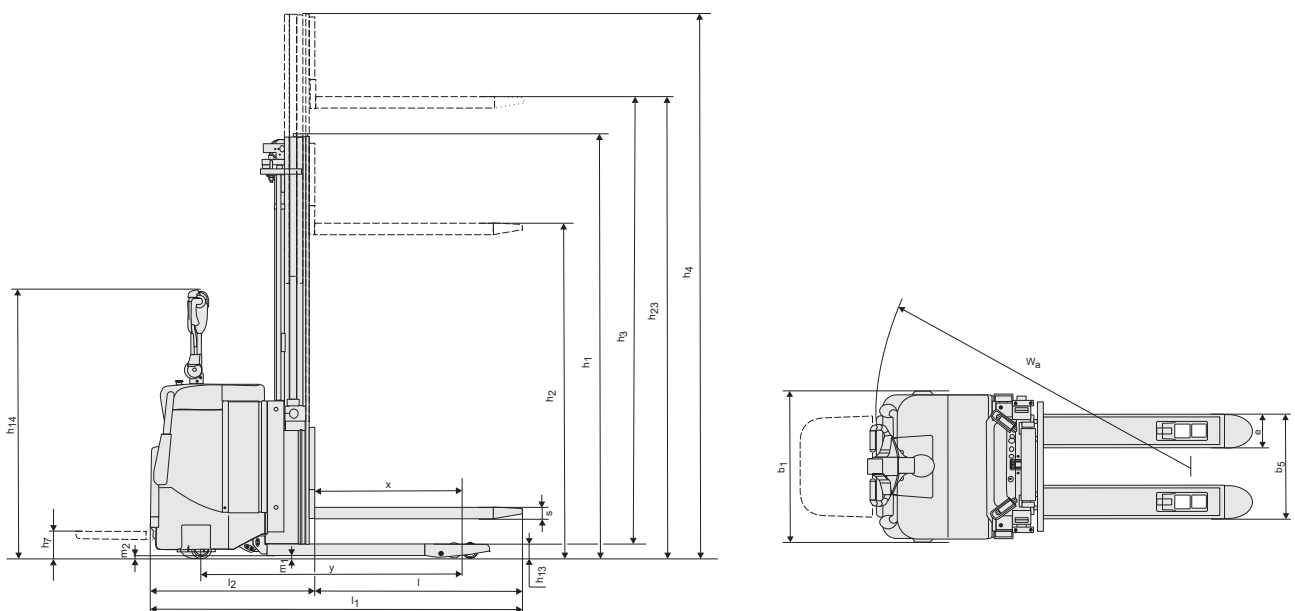
Model				SPE125		SPE160		SPE200	
Battery compartment				Small	Large	Small	Large	Small	Large
1.9	Wheelbase	y	mm	1445	1544	1445	1544	1440	1538
4.19	Overall length	I <sub>1</sub>	mm	1982	2080	2029	2127	2032	2130
	without platform			2013/2430	2111/2528	2060/2477	2158/2575	2063/2480	2161/2578
4.20	Length to face of forks	I <sub>2</sub>	mm	832	930	879	977	882	980
	without platform			863/1280	961/1378	910/1327	1008/1425	913/1330	1011/1428
4.33	Aisle width for pallets 1000x1200 lengthways	A <sub>st</sub>	mm	2513	2610	2528	2625	2529	2626
	without platform			2538/2950	2634/3048	2553/2965	2649/3063	2554/2966	2650/3064
4.34	Aisle width for pallets 800x1200 lengthways	A <sub>st</sub>	mm	2434	2531	2467	2564	2470	2567
	without platform			2459/2871	2555/2969	2492/2904	2588/3002	2495/2907	2591/3005
4.35	Turning radius	W <sub>a</sub>	mm	1690	1787	1690	1787	1691	1788
	without platform			1715/2127	1811/2225	1715/2127	1811/2225	1716/2128	1812/2226
6.4	Battery voltage, nominal capacity K <sub>5</sub>		V/Ah	24/180-440	24/180-440	24/180-440	24/180-440	24/180-440	24/180-440
6.5	Battery weight, min.—max.		kg	200-250	300-370	200-250	300-370	200-250	300-370

# Mast dimensions

SPE125				Duplex Tele			Duplex HiLo					Triplex HiLo					
h <sub>23</sub>	Lift height (h <sub>13</sub> +h <sub>3</sub> )	mm		2350	2800	3350	2350	2900	3350	3750	4150	3350	3750	4150	4500	4800	5400
h <sub>3</sub>	Lift	mm		2260	2710	3260	2260	2810	3260	3660	4060	3260	3660	4060	4410	4710	5310
h <sub>1</sub>	Height, mast lowered	mm		1710	1935	2210	1710	1985	2210	2420	2620	1680	1815	1950	2065	2165	2365
h <sub>2</sub>	Free lift, ground to top of forks	mm		—	—	—	1240	1515	1740	1940	2140	1205	1340	1475	1590	1690	1890
h <sub>4</sub>	Height, mast extended	mm		2870	3320	3870	2870	3420	3870	4280	4680	3875	4275	4675	5025	5325	5925

SPE160				Duplex Tele					Duplex HiLo					Triplex HiLo					
h <sub>23</sub>	Lift height (h <sub>13</sub> +h <sub>3</sub> )	mm		2350	2900	3350	3750	4150	2350	2900	3350	3750	4150	3350	3750	4150	4400	4800	5400
h <sub>3</sub>	Lift	mm		2260	2810	3260	3660	4060	2260	2810	3260	3660	4060	3260	3660	4060	4310	4710	5310
h <sub>1</sub>	Height, mast lowered	mm		1745	2020	2245	2445	2645	1745	2020	2245	2445	2645	1740	1875	2010	2075	2205	2405
h <sub>2</sub>	Free lift, ground to top of forks	mm		—	—	—	—	—	1240	1515	1740	1940	2140	1114	1248	1382	1465	1598	1798
h <sub>4</sub>	Height, mast extended	mm		2900	3450	3900	4300	4700	2900	3450	3900	4300	4700	4005	4405	4805	5055	5455	6055

SPE200				Duplex Tele					Duplex HiLo				
h <sub>23</sub>	Lift height (h <sub>13</sub> +h <sub>3</sub> )	mm		2150	2700	3150	3550	3950	2150	2700	3150	3550	3950
h <sub>3</sub>	Lift	mm		2060	2610	3060	3460	3860	2060	2610	3060	3460	3860
h <sub>1</sub>	Height, mast lowered	mm		1745	2020	2245	2445	2645	1745	2020	2245	2445	2645
h <sub>2</sub>	Free lift, ground to top of forks	mm		—	—	—	—	—	1140	1415	1640	1840	2040
h <sub>4</sub>	Height, mast extended	mm		2800	3350	3800	4200	4600	2800	3350	3800	4200	4600



---

## Truck features:

- BT Powerdrive System
- Fingertip controls
- Electronic braking system
- Electronic speed control
- Operator safety
- Storage compartments
- Automatic switch-off
- Programmable performance
- Easy access for maintenance
- Sensilift
- Flip-up operator platform (option)
- Toyota I\_site: truck fleet management system (option)
- Hydraulic oil for low temperatures (option)

