

# GRENDIA ES

IC Engine Counterbalance  
4 Wheel Pneumatic Tyres • **1.5 – 3.5 tonnes**

**FD/FG15NT**  
**FD/FG18NT**  
**FD/FG20CNT**  
**FD/FG20NT**  
**FD/FG25NT**  
**FD30N, FG30NT**  
**FD35N, FG35NT**

## Outstanding performance... exceptional value for money

Developed to help your operator achieve maximum productivity, the NT series from Mitsubishi sets the highest of standards for IC engine counterbalance forklift trucks. No other forklift truck includes so many advanced features in its standard specification. That's why the NT series forklift is such unbeatable value for money. What's more, its durable components, low-maintenance design and fuel economy will continue to keep down the cost of forklift ownership, year after year.

The name GRENDIA means 'Green Diamond': green for environmental protection; diamond for high quality, reliability and sound investments.

Fast, stable and exceptionally powerful, GRENDIA forklift trucks offer a potent combination of high efficiency, low emissions and very low noise levels. To that, Mitsubishi has added a host of ergonomic features to maximise comfort, control and precision. The result is a forklift that can be relied upon to deliver top performance, whatever the application, whatever the conditions.

### Frame and body

- **Stylish but purposeful design** reflects this machine's intention to work productively, non-stop, whatever the conditions.
- **Robust construction** has been designed and rigorously tested to ensure high stability, rigidity and protection.

### Mast and fork assembly

- **Heavy-duty, high-visibility masts** give dependable, durable performance and clear forward view, for handling of heavy loads in tough environments with total confidence.

### Drive

- **Reliable engines** are proven to industrial standard and transmission uses maintenance-free gearwheels.
- **Advanced diesel technology** lowers fuel consumption and ensures complete, clean burning – as well as low noise levels.



# GRENDIA ES

## FD15-35N(T) Models

Diesel Counterbalance • 4 Wheel Pneumatic Tyres • 1.5 – 3.5 tonnes

Characteristics						
1.1	Manufacturer (abbreviation)			Mitsubishi	Mitsubishi	Mitsubishi
1.2	Manufacturer's model designation			FD15NT	FD18NT	FD20CNT
1.3	Power source: (battery, diesel, LP gas, petrol)			Diesel	Diesel	Diesel
1.4	Operator type: pedestrian, (operator)-standing, -seated			Seated	Seated	Seated
1.5	Load capacity	Q	kg	1500	1750	2000
1.6	Load center distance	c	(mm)	500	500	500
1.8	Load distance, axle to fork face	x	(mm)	400	400	415
1.9	Wheelbase	y	(mm)	1400	1400	1400
Weight						
2.1	Truck weight, without load / including battery (simplex mast, lowest lift height)		kg	2530	2720	3030
2.2	Axle loading with maximum load, front/rear (simplex mast, lowest lift height)		kg	3520 / 510	3880 / 590	4330 / 700
2.3	Axle loading without load, front/rear (simplex mast, lowest lift height)		kg	1060 / 1470	1000 / 1720	1020 / 2010
Wheels, Drive Train						
3.1	Tyres: V=solid, L=pneumatic, SE=solid pneumatic - front/rear			L / L	L / L	SE / SE
3.2	Tyre dimensions, front		(mm)	6.50-10-10PR	6.50-10-10PR	6.50-10-10
3.3	Tyre dimensions, rear		(mm)	5.00-8-8PR	5.00-8-8PR	5.00-8-8
3.5	Number of wheels, front/rear (x=driven)		(mm)	2x / 2	2x / 2	2x / 2
3.6	Track width (center of tyres), front	b10	(mm)	890	890	890
3.7	Track width (center of tyres), rear	b11	(mm)	900	900	900
Dimensions						
4.1	Mast tilt, forwards/backwards	$\alpha/\beta$	°	6 / 12	6 / 12	6 / 12
4.2	Height with mast lowered (see tables)	h1	(mm)	1990	1990	1990
4.3	Free lift (see tables)	h2	(mm)	115	115	120
4.4	Lift height (see tables)	h3	(mm)	3000	3000	3000
4.5	Overall height with mast raised	h4	(mm)	4055	4055	4055
4.7	Height to top of overhead guard	h6	(mm)	2065	2065	2065
4.8	Seat height	h7	(mm)	929	929	929
4.12	Tow coupling height	h10	(mm)	290	290	290
4.19	Overall length	l1	(mm)	3180	3220	3275
4.20	Length to fork face (includes fork thickness)	l2	(mm)	2260	2300	2355
4.21	Overall width	b1/b2	(mm)	1065 / -	1065 / -	1065 / -
4.22	Fork dimensions (thickness, width, length)	s / e / l	(mm)	35 x 100 x 920	35 x 100 x 920	45 x 100 x 920
4.23	Fork carriage to DIN 15 173 A/B/no			2A	2A	2A
4.24	Fork carriage width	b3	(mm)	920	920	920
4.31	Ground clearance under mast, with load	m1	(mm)	110	110	110
4.32	Ground clearance at center of wheelbase, with load (forks lowered)	m2	(mm)	150	150	150
4.33	Working aisle width with 1000 x1200 mm pallets, crosswise	Ast	(mm)	3550	3580	3635
4.34	Working aisle width with 800 x1200 mm pallets, crosswise	Ast	(mm)	3350	3380	3435
4.35	Turning circle radius	Wa	(mm)	1950	1980	2020
4.36	Minimum distance between centres of rotation	B13	(mm)	555	555	555
Performance						
5.1	Travel speed, with/without load		km/h	19 / 19.5	19 / 19.5	19 / 19.5
5.2	Lifting speed, with/without load		m/s	0.63 / 0.69	0.63 / 0.69	0.63 / 0.69
5.3	Lowering speed, with/without load		m/s	0.52 / 0.50	0.52 / 0.50	0.52 / 0.50
5.5	Rated drawbar pull, with/without load		N	12500 / 12100	12400 / 12100	12000 / 12100
5.7	Gradeability, with/without load		%	32 / 54	29 / 49	25 / 43
5.9	Acceleration time (10 metres) with/without load		s	-	-	-
5.10	Service brakes (mechanical/hydraulic/electric/pneumatic)			Hydraulic	Hydraulic	Hydraulic
IC Engine						
7.1	Manufacturer / Type			S4Q2	S4Q2	S4Q2
7.2	Rated / Nominal output to ISO 1585		kW	30	30	30
7.3	Rated speed to DIN 70 020		rpm	2500	2500	2500
7.4	Number of cylinders / cubic capacity		/cm <sup>3</sup>	4 / 2505	4 / 2505	4 / 2505
7.5	Fuel consumption according to VDI 60 cycle		l/h / kg/h	2.30 / -	2.35 / -	2.35 / -
Miscellaneous						
8.1	Type of drive control			Powershift / 1	Powershift / 1	Powershift / 1
8.2	Maximum operating pressure for attachments		bar	180	180	180
8.3	Oil flow for attachments		l/min	62	62	62
8.4	Noise level, value at operator's ear (EN 12053)		dB(A)	80	80	80
8.5	Towing coupling design / DIN type, ref.			PIN	PIN	PIN

Continuing improvement may lead to changes in these specifications.

	Mitsubishi	Mitsubishi	Mitsubishi	Mitsubishi
	FD20NT	FD25NT	FD30NT	FD35NT
	Diesel	Diesel	Diesel	Diesel
	Seated	Seated	Seated	Seated
	2000	2500	3000	3500
	500	500	500	500
	455	460	495	495
	1600	1600	1700	1700
	3380	3680	4350	4740
	4640 / 740	5430 / 750	6510 / 840	7220 / 1020
	1450 / 1930	1430 / 2250	1750 / 2600	1670 / 3070
	L / L	L / L	L / L	L / L
	7.00-12-12PR	7.00-12-12PR	28x9-15-12PR	250-15-12PR
	6.00-9-8PR	6.00-9-10PR	6.50-10-10PR	6.50-10-12PR
	2x / 2	2x / 2	2x / 2	2x / 2
	960	960	1060	1060
	980	980	980	980
	6 / 12	6 / 12	6 / 12	6 / 12
	1995	1995	2015	2130
	140	140	145	145
	3000	3000	3000	3000
	4055	4055	4055	4055
	2074	2074	2093	2103
	938	938	988	988
	310	310	330	340
	3405	3480	3805	3865
	2485	2560	2735	2795
	1150 / 1640	1150 / 1640	1275 / 1710	1290 / 1710
	45 x 100 x 920	45 x 100 x 920	45 x 122 x 1070	45 x 122 x 1070
	2A	2A	3A	3A
	1000	1000	1000	1000
	115	115	135	150
	160	160	190	200
	3855	3885	4070	4130
	3655	3685	3870	3930
	2200	2230	2380	2440
	715	715	780	780
	19 / 19.5	19 / 19.5	19 / 19.5	19 / 19.5
	0.63 / 0.66	0.63 / 0.66	0.50 / 0.53	0.42 / 0.45
	0.50 / 0.50	0.50 / 0.50	0.53 / 0.50	0.42 / 0.40
	18100 / 17600	17900 / 17500	17500 / 17500	16700 / 16600
	36 / 60	30 / 54	25 / 44	21 / 37
	-	-	-	-
	Hydraulic	Hydraulic	Hydraulic	Hydraulic
	S4S	S4S	S4S	S4S
	38.1	38.1	38.1	38.1
	2250	2250	2250	2250
	4 / 3331	4 / 3331	4 / 3331	4 / 3331
	2.55 / -	3.20 / -	3.4 / -	3.5 / -
	Powershift / 1	Powershift / 1	Powershift / 1	Powershift / 1
	180	180	180	180
	75	75	73	73
	78	78	78	78
	PIN	PIN	PIN	PIN



Easy servicing



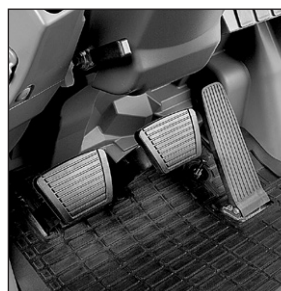
Ergonomic operator compartment



Auto-style controls



Powerful work lights



Auto-style pedals



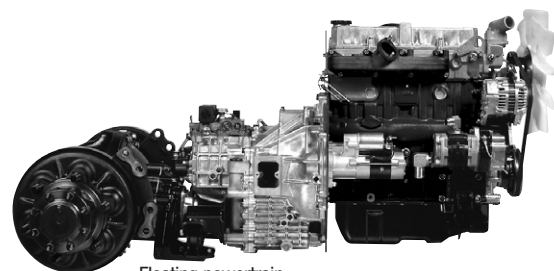
Rapid access features



Cowl-mounted levers



Robust construction



Floating powertrain

# GRENDIA ES

## FG15-35(C)NT Models

Petrol Counterbalance • 4 Wheel Pneumatic Tyres • 1.5 – 3.5 tonnes

Characteristics						
1.1	Manufacturer (abbreviation)			Mitsubishi	Mitsubishi	Mitsubishi
1.2	Manufacturer's model designation			FG15NT	FG18NT	FG20CNT
1.3	Power source: (battery, diesel, LP gas, petrol)			Petrol / LPG	Petrol / LPG	Petrol / LPG
1.4	Operator type: pedestrian, (operator)-standing, -seated			Seated	Seated	Seated
1.5	Load capacity	Q	kg	1500	1750	2000
1.6	Load center distance	c	(mm)	500	500	500
1.8	Load distance, axle to fork face	x	(mm)	400	400	415
1.9	Wheelbase	y	(mm)	1400	1400	1400
Weight						
2.1	Truck weight, without load / including battery (simplex mast, lowest lift height)		kg	2490	2690	3010
2.2	Axle loading with maximum load, front/rear (simplex mast, lowest lift height)		kg	3510 / 460	3870 / 540	4320 / 660
2.3	Axle loading without load, front/rear (simplex mast, lowest lift height)		kg	1040 / 1430	990 / 1670	1010 / 1970
Wheels, Drive Train						
3.1	Tyres: V=solid, L=pneumatic, SE=solid pneumatic - front/rear			L / L	L / L	SE / SE
3.2	Tyre dimensions, front		(mm)	6.50-10-10PR	6.50-10-10PR	6.50-10-10
3.3	Tyre dimensions, rear		(mm)	5.00-8-8PR	5.00-8-8PR	5.00-8-8
3.5	Number of wheels, front/rear (x=driven)		(mm)	2x / 2	2x / 2	2x / 2
3.6	Track width (center of tyres), front	b10	(mm)	890	890	890
3.7	Track width (center of tyres), rear	b11	(mm)	900	900	900
Dimensions						
4.1	Mast tilt, forwards/backwards	$\alpha/\beta$	°	6 / 12	6 / 12	6 / 12
4.2	Height with mast lowered (see tables)	h1	(mm)	1990	1990	1990
4.3	Free lift (see tables)	h2	(mm)	115	115	115
4.4	Lift height (see tables)	h3	(mm)	3000	3000	3000
4.5	Overall height with mast raised	h4	(mm)	4055	4055	4055
4.7	Height to top of overhead guard	h6	(mm)	2065	2065	2065
4.8	Seat height	h7	(mm)	929	929	929
4.12	Tow coupling height	h10	(mm)	290	290	290
4.19	Overall length	l1	(mm)	3180	3220	3275
4.20	Length to fork face (includes fork thickness)	l2	(mm)	2260	2300	2355
4.21	Overall width	b1/b2	(mm)	1065 / -	1065 / -	1065 / -
4.22	Fork dimensions (thickness, width, length)	s / e / l	(mm)	35 x 100 x 920	35 x 100 x 920	45 x 100 x 920
4.23	Fork carriage to DIN 15 173 A/B/no			2A	2A	2A
4.24	Fork carriage width	b3	(mm)	920	920	920
4.31	Ground clearance under mast, with load	m1	(mm)	110	110	110
4.32	Ground clearance at center of wheelbase, with load (forks lowered)	m2	(mm)	150	150	150
4.33	Working aisle width with 1000 x1200 mm pallets, crosswise	Ast	(mm)	3550	3580	3635
4.34	Working aisle width with 800 x1200 mm pallets, crosswise	Ast	(mm)	3350	3380	3435
4.35	Turning circle radius	Wa	(mm)	1950	1980	2020
4.36	Minimum distance between centres of rotation	B13	(mm)	555	555	555
Performance						
5.1	Travel speed, with/without load		km/h	19 / 19.5	19 / 19.5	19 / 19.5
5.2	Lifting speed, with/without load		m/s	0.49 / 0.56	0.49 / 0.56	0.57 / 0.65
5.3	Lowering speed, with/without load		m/s	0.52 / 0.50	0.52 / 0.50	0.52 / 0.50
5.5	Rated drawbar pull, with/without load		N	10400 / 10200	10300 / 10100	13900/14000
5.7	Gradeability, with/without load		%	24 / 44	24 / 40	29 / 52
5.9	Acceleration time (10 metres) with/without load		s	-	-	-
5.10	Service brakes (mechanical/hydraulic/electric/pneumatic)			Hydraulic	Hydraulic	Hydraulic
IC Engine						
7.1	Manufacturer / Type			GCT GK15	GCT GK15	GCT GK21
7.2	Rated / Nominal output to ISO 1585		kW	26	26	34
7.3	Rated speed to DIN 70 020		rpm	2450	2450	2200
7.4	Number of cylinders / cubic capacity		/cm3	4 / 1486	4 / 1486	4 / 2065
7.5	Fuel consumption according to VDI 60 cycle		l/h / kg/h	- / 3.00	- / 3.00	- / 3.50
Miscellaneous						
8.1	Type of drive control			Powershift / 1	Powershift / 1	Powershift / 1
8.2	Maximum operating pressure for attachments		bar	180	180	180
8.3	Oil flow for attachments		l/min	60	60	60
8.4	Noise level, value at operator's ear (EN 12053)		dB(A)	79	79	79
8.5	Towing coupling design / DIN type, ref.			PIN	PIN	PIN

Continuing improvement may lead to changes in these specifications.

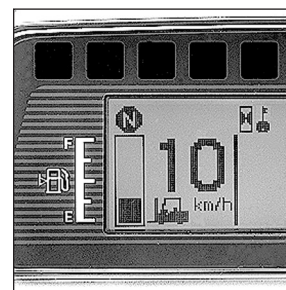
	Mitsubishi FG20NT	Mitsubishi FG25NT	Mitsubishi FG30NT	Mitsubishi FG35NT
	Petrol / LPG	Petrol / LPG	Petrol / LPG	Petrol / LPG
	Seated	Seated	Seated	Seated
	2000	2500	3000	3500
	500	500	500	500
	455	460	495	495
	1600	1600	1700	1700
	3300	3600	4240	4630
	4600 / 670	5390 / 680	6470 / 770	7180 / 950
	1410 / 1860	1390 / 2180	1710 / 2530	1630 / 3000
	L / L	L / L	L / L	L / L
	7.00-12-12PR	7.00-12-12PR	28x9-15-12PR	250-15-12PR
	6.00-9-8PR	6.00-9-10PR	6.50-10-10PR	6.50-10-12PR
	2x / 2	2x / 2	2x / 2	2x / 2
	960	960	1060	1060
	980	980	980	980
	6 / 12	6 / 12	6 / 12	6 / 12
	1990	1990	2015	2130
	140	140	135	150
	3000	3000	3000	3000
	4055	4055	4055	4055
	2074	2074	2093	2103
	938	938	988	988
	310	310	330	340
	3405	3480	3805	3865
	2485	2560	2735	2795
	1150 / 1640	1150 / 1640	1275 / 1690	1290 / 1690
	45 x 100 x 920	45 x 100 x 920	45 x 122 x 1070	45 x 122 x 1070
	2A	2A	3A	3A
	1000	1000	1000	1000
	115	115	135	150
	160	160	190	200
	3855	3885	4070	4130
	3655	3685	3870	3930
	2200	2230	2380	2440
	715	715	780	780
	19 / 19.5	19 / 19.5	19 / 19.5	19 / 19.5
	0.52 / 0.60	0.52 / 0.60	0.46 / 0.53	0.39 / 0.45
	0.50 / 0.50	0.50 / 0.50	0.53 / 0.50	0.42 / 0.40
	14400 / 14100	14100 / 14000	16100 / 16200	15300 / 15400
	28 / 47	24 / 42	23 / 41	19 / 35
	-	-	-	-
	Hydraulic	Hydraulic	Hydraulic	Hydraulic
	GCT GK21	GCT GK21	GCT GK25	GCT GK25
	34	34	40	40
	2200	2200	2200	2200
	4 / 2065	4 / 2065	4 / 2488	4 / 2488
	- / 3.60	- / 3.70	- / 3.90	- / 4.20
	Powershift / 1	Powershift / 1	Powershift / 1	Powershift / 1
	181	180	180	180
	68	68	73	73
	79	79	79	79
	PIN	PIN	PIN	PIN



Full-suspension seat



Adjustable steering column



Clear LCD display

## GRENDIA THE GREEN DIAMOND

The green colour of our trucks is a sign of our commitment to protecting the environment.

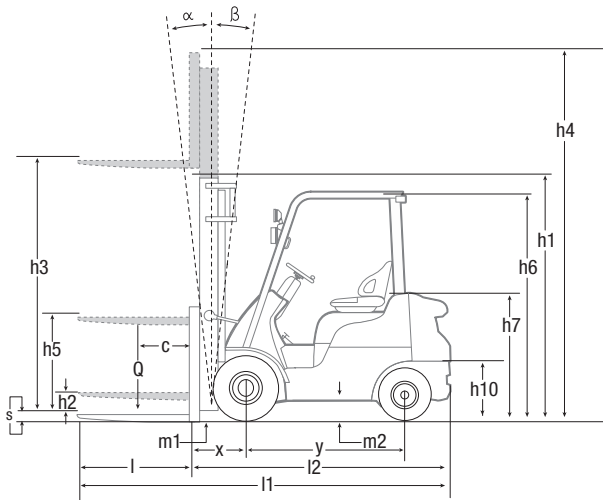
The diamond shapes in our logo are a reminder that – like a diamond – a Mitsubishi forklift truck guarantees quality, reliability and a sound investment.

# FD/FG15-20(C)NT Models

## Mast Performance and Capacity

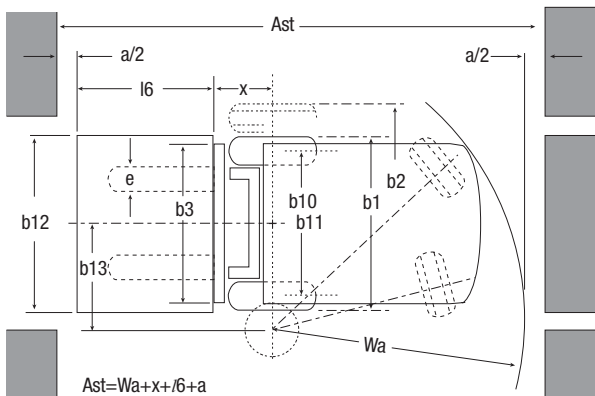
Mast type	FD/FG15-18NT FD/FG20CNT			FD/FG15NT		FD/FG18NT		FD/FG20CNT	
	h3 mm	h1 mm	h4 mm	h2/h5 mm	Q @ c=500mm kg	h2/h5 mm	Q @ c=500mm kg	h2/h5 mm	Q @ c=500mm kg
Simplex	3000	1990	4055	80 -	1500	80 -	1750	80 -	2000
	3300	2140	4355	80 -	1500	80 -	1750	80 -	2000
	3500	2240	4555	80 -	1500	80 -	1750	80 -	2000
	3700	2340	4755	80 -	1500	80 -	1750	80 -	2000
	4000	2540	5050	80 -	1500	80 -	1750	80 -	2000
	4500	2790	5555	80 -	1425	80 -	1650*	80 -	1950
	5000	3050	6055	80 -	1325*	80 -	1600*	80 -	1400
	6000	3550	7055	80 -	1200*	80 -	1325*	-	-
Duplex	3000	1995	4055	- 940	1500	- 940	1750	- 940	2000
	3290	2140	4350	- 1085	1500	- 1085	1750	- 1085	2000
	3510	2260	4570	- 1205	1500	- 1205	1750	- 1205	2000
	4030	2585	5085	- 1530	1500*	- 1530	1750	- 1530	2000
Triplex	3700	1790	4755	- 735	1500	- 735	1750	- 735	2000
	4000	189	5055	- 835	1450	- 835	1725	- 835	2000
	4300	1990	5355	- 935	1425	- 935	1625	- 935	1950
	4700	2140	5755	- 1085	1350*	- 1085	1625*	- 1085	1900
	5000	2240	6055	- 1185	1300*	- 1185	1575*	- 1185	1325
	5500	2430	6555	- 1375	1250*	- 1375	1500*	-	-
	6000	2610	7055	- 1555	1175*	- 1555	1325*	-	-
	6500	2850	7555	- 1795	950*	- 1795	950*	-	-
	7000	3050	8055	- 1995	650*	- 1995	650*	-	-

All dimensions include load backrest. In case load backrest is not used h5 will increase by 410 mm, while h4 will decrease by 410 mm.



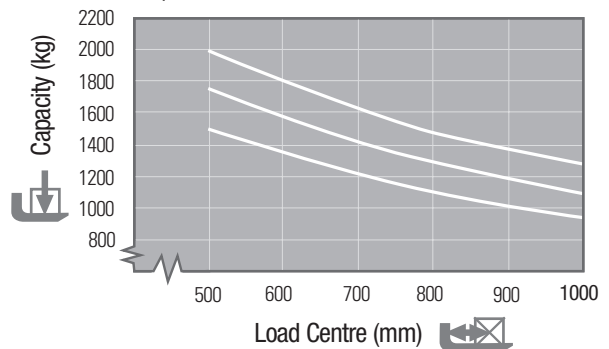
- h1 Height with mast lowered
- h2 Standard free lift
- h3 Lift height
- h4 Height with mast raised
- h5 Full free lift
- Q Lifting capacity, rated load
- c Load centre (distance)

- Ast = Working aisle width
- Wa = Turning radius
- a = Safety clearance = 2 x 100 mm
- l6 = Pallet length
- b12 = Pallet width



### FD/FG15-20(C)NT Models Capacities at various load centres

Simplex - h3 = 3290 mm

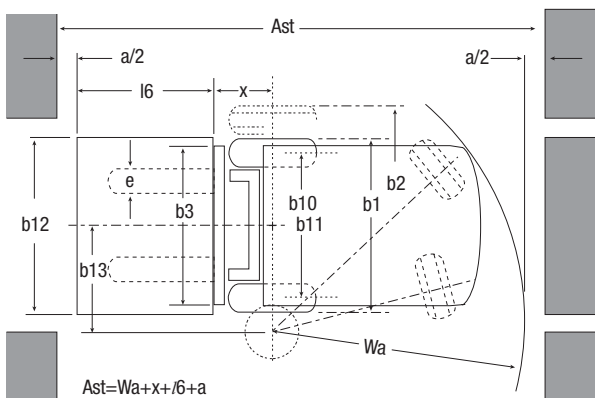
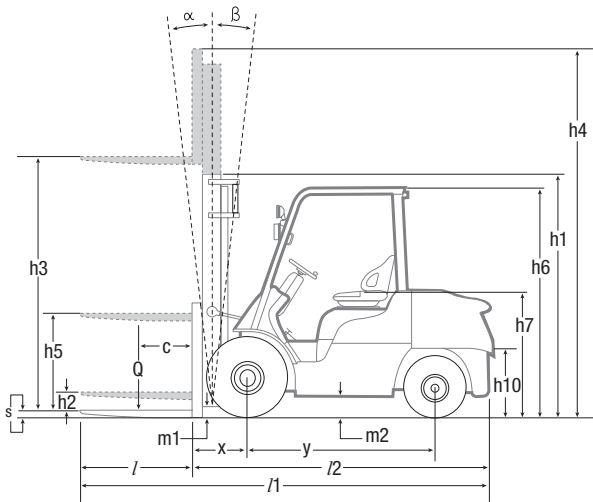


# FD/FG20-35NT Models

## Mast Performance and Capacity

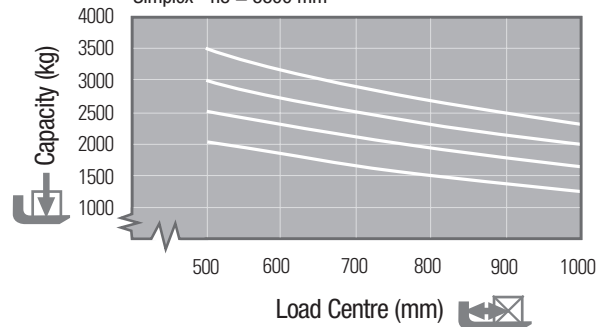
Mast type	FD/FG20NT-FD/FG25NT			FD/FG20NT		FD/FG25NT	
	h3 mm	h1 mm	h4 mm	h2/h5 mm	Q @ c=500mm kg	h2/h5 mm	Q @ c=500mm kg
Simplex	3000	1995	4055	100 -	2000	100 -	2500
	3300	2145	4345	100 -	2000	100 -	2500
	3500	2245	4555	100 -	2000	100 -	2500
	3700	2345	4755	100 -	2000	100 -	2500
	4000	2545	5055	100 -	2000	100 -	2500
	4500	2795	5555	100 -	1950	100 -	2450*
	5000	3065	6055	100 -	1900*	100 -	2350*
	5500	3315	6555	100 -	1850*	100 -	2250*
	6000	3565	7055	100 -	1800*	100 -	2150*
Duplex	3000	1995	4055	- 940	2000	- 935	2500
	3300	2145	4350	- 1090	2000	- 1085	2500
	3530	2265	4585	- 1210	2000	- 1205	2500
	4020	2590	5075	- 1535	2000	- 1530	2500
Triplex	3700	1795	4755	- 740	2000	- 740	2500
	4000	1895	5055	- 840	2000	- 840	2500
	4300	1995	5355	- 940	1950	- 940	2450
	4700	2145	5755	- 1090	1900	- 1090	2350*
	5000	2245	6055	- 1190	1850*	- 1190	2300*
	5500	2415	6555	- 1360	1800*	- 1360	2200*
	6000	2585	7055	- 1530	1750*	- 1530	2100*
	6500	2795	7555	- 1740	1650*	- 1740	1750*
	7000	3065	8055	- 2010	1250*	- 2010	1250*

FD/FG30NT					FD/FG35NT				
h3 mm	h1 mm	h4 mm	h2/h5 mm	Q @ c=500mm kg	h3 mm	h1 mm	h4 mm	h2/h5 mm	Q @ c=500mm kg
3000	2015	4055	95 -	3000	3000	2130	4055	95 -	3500
3300	2170	4355	95 -	3000	3300	22280	4355	95 -	3500
3500	2265	4555	95 -	3000	3500	2380	4555	95 -	3500
3700	2365	4755	95 -	3000	3700	2480	4755	95 -	3500
4000	2565	5055	95 -	3000	4000	2680	5055	95 -	3500
4500	2815	5555	95 -	2950	4500	2930	5555	95 -	3500
5000	3115	6055	95 -	2850	5000	3230	6055	95 -	3400*
5500	3365	6555	95 -	2750	5500	3480	6555	95 -	3200*
6000	3615	7055	95 -	2400*	6000	3730	7055	95 -	2400*
3000	2045	4055	- 990	3000	3010	2180	4065	- 1125	3500
3250	2165	4305	- 1100	3000	3300	2300	4355	- 1245	3500
3490	2285	4545	- 1230	3000	3500	2445	4555	- 1390	3500
4010	2610	5065	- 1555	3000	4000	2765	5055	- 1710	3500
3700	1815	4755	- 760	3000	3700	1930	4755	- 875	3500
4000	1915	5055	- 860	3000	4000	2030	5055	- 975	3500
4300	2015	5355	- 960	3000	4300	2130	5355	- 1075	3500
4700	2165	5755	- 1110	2900	4700	2280	5755	- 1225	3450
5000	2265	6055	- 1210	2800	5000	2380	6055	- 1325	3350
5500	2435	6555	- 1380	2750	5500	2550	6555	- 1495	3200*
6000	2605	7055	- 1550	2400*	6000	2720	7055	- 1665	2400*
6500	2815	7555	- 1760	1750*	6500	2930	7555	- 1875	1750*
7000	3115	8055	- 2060	1250*	7000	3230	8055	- 2175	1250*



### FD/FG20-35NT Models Capacities at various load centres

Simplex - h3 = 3300 mm





Advanced engine technologies



Fully hydrostatic steering



Clear-view mast

- **Advanced LPG technology** gives precisely controlled performance with high fuel economy and minimal emissions (LPG engine is optional).
- **Advanced, fully floating powertrain** maximises gradeability, travel speed and all-round performance.

### Steering system

- **Fully hydrostatic steering** is responsive, precise and effortless for the operator and requires little maintenance.

### Brakes

- **Fully hydrostatic drum brakes** give excellent control with little effort and are easy to maintain.

### Hydraulics

- **Powerful hydraulic system** offers high residual capacities for comfortable handling of heavier loads.

### Electrical and control systems

- **Integrated Presence System (IPS)** prevents all movement of the truck and its mast if the operator is not seated, as well as providing a seatbelt warning light and parking brake alarm.
- **Operator identification system** can be activated – if owner wishes – to prevent unauthorised use of the truck.

- **Onboard diagnostics** and detailed fault diagnosis via computer connection alerts operators and service engineers to problems, speeds up servicing and prevents damage.

### Operator compartment and controls

- **All-round visibility** together with ergonomic design and layout of all controls improves comfort, reduces fatigue, increases precision and raises productivity.
- **Fully adjustable, full-suspension seat** with hip restraints and safety belt keeps driver comfortable through the longest of shifts.
- **Adjustable steering column** with memory function helps guarantee optimum driving position, every time.
- **Cowl-mounted hydraulic levers** provide easy-to-reach, easy-to-use control of mast operations.

- **Low noise level at operator's ear** and low vibration from powertrain increase comfort and reduce fatigue.
- **Clear, informative meter panel** includes essential warning lights and LCD display with speedometer, clock and hour meter.

### Other features

- **Rapid access features** give quick and easy entry to all areas for checks and servicing.
- **Long service interval** and choice of high-quality components, together with low-maintenance design, minimises downtime and cost of ownership.

### Options

- **Ground speed control**



### Integrated Presence System (IPS) provides:

- a hydraulic and travel interlock system that prevents all movement of the truck and its mast if the driver is not seated
- a seat belt warning light
- a parking brake alarm

The term 'Integrated Presence System' (IPS) is intended as a trading style, only to describe a number of design features on the Mitsubishi trucks to which IPS is applied. It does not imply that the truck can be driven without appropriate operator training and without due care and attention. The manufacturer (MCFE, Almere, the Netherlands) cannot accept any responsibility for any accidents or damage caused by incorrect or dangerous use of its equipment.

# when reliability is everything

Like any product bearing the Mitsubishi name, our materials handling equipment benefits from the huge resources and cutting-edge technology of one of the world's largest corporations. So when we promise you **quality, reliability** and **value for money**, you know it's a guarantee we have the power to deliver.

Every model in our comprehensive, award-winning range of forklift trucks and warehouse equipment is built to a high specification and is designed to keep on working for you... day after day... year after year... whatever the job... whatever the conditions.

To ensure your truck stays in constant productive action, we have a network of local dealers – hand-picked for their commitment to customer care... and backed up by the Mitsubishi Forklift Trucks organisation. No matter where you are, we have a dealer close by – ready and willing to meet your needs.

That friendly local service covers everything from identifying the perfect model and configuration for your application to providing competitive, flexible finance and maintenance packages, unbeatable warranties, long and short term hire, and highly responsive field service and repairs... as well as the industry's quickest and most reliable parts supply.

Only Mitsubishi can give you this combination of global engineering excellence and outstanding local support... only Mitsubishi offers you such a quality product at such an affordable price... and only Mitsubishi places reliability as high as you do in its priorities. Contact your local dealer now and see what Mitsubishi can do for you.

You can find your nearest dealer at [www.mitforklift.com](http://www.mitforklift.com)



CESM1883 AME (03/18)  
© 2018 MCFE  
Printed in The Netherlands

[mitforklift@mcf.nl](mailto:mitforklift@mcf.nl) [www.mitforklift.com](http://www.mitforklift.com)

NOTE: Performance specifications may vary depending on standard manufacturing tolerances, vehicle condition, types of tyres, floor or surface conditions, applications or operating environment. Trucks may be shown with non-standard options. Specific performance requirements and locally available configurations should be discussed with your distributor of Mitsubishi forklift trucks. Mitsubishi follows a policy of continual product improvement. For this reason, some materials, options and specifications could change without notice.