



**Engine Powered  
Forklift Trucks**  
2.0 - 3.5 tonnes

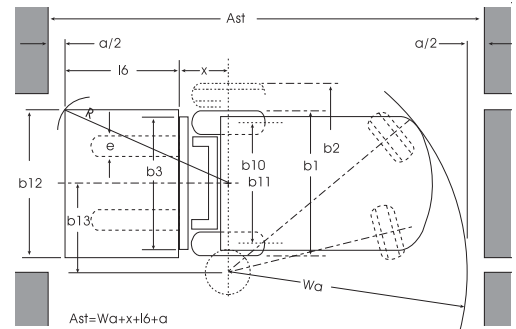
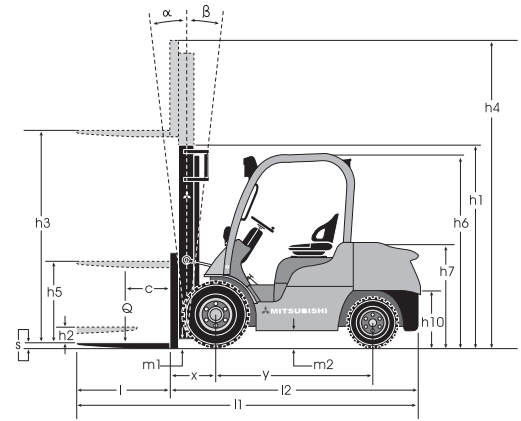


**FD/FG20N  
FD/FG25N  
FD/FG30N  
FD/FG35N**



## Mast Performance and Capacity

Mast type	FD/FG20N-FD/FG25N			FD/FG20N		FD/FG25N	
	h3 mm	h1 mm	h4 mm	h2/h5 mm	Q @ c=500mm kg	h2/h5 mm	Q @ c=500mm kg
Simplex	3000	1995	4050	100	2000	100	2500
	3300	2145	4340	100	2000	100	2500
	3740	2410	4770	100	2000	100	2500
	4100	2590	5140	100	2000	100	2500
	4500	2800	5530	100	2000	100	2500
	5000	3050	6050	100	1950	100	2400
Duplex	3000	1995	4050	980	2000	980	2500
	3300	2145	4340	1130	2000	1130	2500
	3700	2410	4750	1390	2000	1390	2500
	4020	2590	5080	1570	2000	1570	2500
Triplex	3730	1800	4760	780	2000	780	2500
	4030	1900	5060	880	2000	880	2500
	4300	2000	5360	980	1950	980	2500
	4750	2140	5800	1130	1900	1130	2400
	5060	2260	6140	1250	1850	1250	2350
	5500	2400	6540	1390	1800	1390	2200*
	5990	2590	7040	1570	1750*	1570	2100*
	6490	2850	7540	1830	1650*	1830	1750*
7000	3050	8050	2040	1250*	2040	1250*	



## Mast Performance and Capacity

Mast type	FD/FG30N					FD/FG35N				
	h3 mm	h1 mm	h4 mm	h2/h5 mm	Q @ c=500mm kg	h3 mm	h1 mm	h4 mm	h2/h5 mm	Q @ c=500mm kg
Simplex	3030	2050	4090	100	3000	3000	2180	4060	100	3500
	3270	2170	4330	100	3000	3300	2300	4360	100	3500
	3700	2430	4760	100	3000	3720	2510	4780	100	3500
	4000	2610	5060	100	3000	4000	2770	5060	100	3500
	4500	2870	5560	100	3000	4500	3010	5560	100	3500
	5000	3120	6060	100	2900	5000	3260	6060	100	3500
Duplex	3000	2050	4060	1030	3000	3010	2180	4070	1170	3500
	3250	2170	4310	1150	3000	3300	2300	4360	1290	3500
	3700	2430	4760	1420	3000	3720	2625	4780	1610	3500
	4010	2610	5070	1600	3000	4000	2770	5060	1750	3500
Triplex	3690	1830	4750	810	3000	3730	1940	4790	930	3500
	3990	1930	5050	910	3000	4010	2060	5070	1050	3500
	4320	2050	5380	1030	3000	4390	2180	5450	1170	3500
	4700	2170	5760	1150	3000	4700	2300	5760	1290	3500
	5060	2290	6120	1270	2900	5030	2450	6090	1430	3450
	5450	2430	6510	1420	2800	5580	2630	6640	1610	3300
	5970	2610	7030	1600	2700	6000	2770	7060	1750	3200
	6470	2870	7530	1860	2350	6510	2940	7570	1930	2350
7000	3070	8060	2060	1600	7000	3140	8060	2120	1600	

All dimensions include load backrest. In case load backrest is not used h5 will increase by 390mm (20N, 25N), 350mm (30N), 240mm (35N), while h4 will decrease by 390mm (20N, 25N), 350mm (30N), 240mm (35N).

- h1 Height with mast lowered
- h2 Standard free lift
- h3 Lift height
- h4 Height with mast raised
- h5 Full free lift
- Q Lifting capacity, rated load
- c Load centre (distance)

\* Capacities shown require truck equipped with dual tyres. Consult your dealer for the maximum back tilt allowed, to obtain the capacities specified.

The capacities are applicable for pneumatic shaped solid tyres (SE).



CESM1049 (04/08)  
© 2008 MCFE  
Printed in The Netherlands

mitforklift@mcf.nl  
www.mitforklift.com

NOTE: Performance specifications may vary depending on standard manufacturing tolerances, vehicle condition, types of tyres, floor or surface conditions, applications or operating environment. Trucks may be shown with non-standard options. Specific performance requirements and locally available configurations should be discussed with your distributor of Mitsubishi forklift trucks. Mitsubishi follows a policy of continual product improvement. For this reason, some materials, options and specifications could change without notice.

# **Main features**

*Developed to help your driver achieve maximum productivity, the FD/FG N series from Mitsubishi redefines the standard for IC engine counter balance forklift trucks. No other forklift has so many advanced features – or offers such unbeatable value for money.*

- *Low noise levels which increase operator comfort.*
- *Fully floating powertrain ensures exceptionally low noise and vibration levels – reducing driver stress.*
- *High-performance, easy-to-maintain diesel engines give low exhaust emissions and low fuel consumption.*
- *State-of-the-art LPG engines with engine management system and regulated catalytic converter for high performance, low emissions and low fuel consumption.*
- *Clear instrument display monitoring all vital functions of the forklift trucks which includes neutral indicator for improved safety.*
- *Adjustable steering column with memory function helps guarantee optimum driving position, every time.*
- *Car-comfort, fully adjustable suspension seat is fitted with hip restraints, seatbelt (with indicator) and cut-out switch to prevent drive and lift/lower operations unless the driver is seated.*
- *Automotive style pedal layout with self-energising and self-adjusting drum brakes for easy operation with little effort.*
- *Attractive operator compartment with tilt cylinders, dashboard and foot area fully covered.*
- *High-visibility mast, fork carriage and head guard ensure excellent all-round vision.*
- *Long service interval – 500 hours – reduces cost of ownership and increases productivity.*

# **Optional features**

- *Fingertip controls mounted on ergonomically positioned armrest.*
- *Integral sideshifter for ease of handling.*
- *A range of factory-fitted cabins.*
- *Mast levelling control for improved productivity.*

when  
**reliability**  
is **everything**

Developed for outstanding performance and genuine value for money, the awardwinning\* range of Mitsubishi forklift trucks and warehouse equipment is built to a higher specification to maximize productivity and ensure utter reliability... whatever the application.

It's what you'd expect from one of the world's largest corporations whose companies are at the leading edge of technologies where performance, quality and dependability can never be compromised.

It means that, from a single safe source, we can meet 98% of all handling requirements, supplied to you via a range of competitive finance options including outright purchase, rental or leasing. So your local dealer can advise you on precisely the right product for your application... and your budget.

Moreover, because we understand how much you depend on your Mitsubishi forklift truck, we deliver the highest levels of customer support.

Through a network of carefully selected dealerships, we provide quality maintenance and customer care programmes including a choice of warranties that give complete peace of mind. Every dealership holds extensive stocks of manufacturer-approved parts, backed by a central store that holds literally millions of items constantly in stock and achieves a first-pick fulfilled rate of 97%. So your truck can be fixed first time, virtually every time.

You can find your nearest dealer at

**[www.mitforklift.com](http://www.mitforklift.com)**

*\* Mitsubishi Forklift Trucks has won **four** separate Fork Lift Truck Association Annual Awards for Excellence covering the areas of **Ergonomics**, the **Environment** and **Innovation**.*

