



Electric Counterbalanced Trucks Capacity 3500 - 5000 kg E35, E40, E45, E50

Series 388

Safety

The protective overhead guard forms a strong and completely enclosed protective zone providing optimum structural integrity, safety and protection for the operator. The top mounted tilt cylinders provide seamless, smooth control of the tilt movements for excellent load stability in all operating conditions. This unique design also enables slimmer mast profiles to be fitted for outstanding visibility.

Performance

One would expect a high performance truck to have a high performance traction system – and that is exactly what the Linde compact drive axle and lift system delivers. Powerful motors and intelligent electronic control form an impressive power pack to deliver the highest level of productivity.

Comfort

Consistently high levels of performance and efficiency for extended periods are only possible if the operator feels comfortable. The ergonomic layout of all the controls, the adjustability of the armrest and seat, Linde Load Control, and twin accelerator pedals provide the best possible intuitive interface between the truck and the operator.

Reliability

An electric forklift truck depends on reliable electronic systems. The Linde electronic control system provides a high level of reliability because of its dual circuit monitoring system and the sealed aluminium housing which provides total protection for the electronics from the ingress of dust and moisture.

Productivity

Effective in operation, efficient in reducing costs: The unique Linde energy management system ensures intelligent and economical consumption of energy. Energy can also be obtained quickly utilising the optional built-in charging unit or one of the four simple and rapid battery changing methods. The result: more uptime and increased productivity.

Linde Material Handling

Linde

Standard Equipment/Optional Equipment

Standard Equipment

Hydrostatic power steering
Linde twin accelerator pedals for all vehicle movements
Central lever (joystick control) integrated into the adjustable armrest
2 x 12 kW maintenance free AC drive motors
25 kW AC maintenance free lift motor
Different ECO modes providing the perfect combination of performance and efficiency
Graphic display of battery operating time in minutes
Automatic parking brake
Linde dual motor drive
Proportional reduction of travel speed when cornering (Linde Drive Assistant)
Seamless electronic control of all traction and hydraulic movements
Standard chassis suitable for working in ISO containers with appropriate mast
Hydraulically adjustable full suspension PVC operator's seat with armrest
Comprehensive digital instrument display

Generous storage facilities for writing materials and miscellaneous items
Superelastic tyres

Mast

Clearview standard mast 3,100 mm lift
Fork carriage width:
1,350 mm for all models
Fork length 1,000 mm

Optional Equipment

Single pedal accelerator with forward/reverse selector in the armrest
Alternative fork lengths
Alternative fork carriage widths
Integrated sideshift
Integrated fork spreader
Tilt cylinder protection
Load backrest
One, two or three additional hydraulic circuits for attachments
Polycarbonate top screen on overhead guard
Front and rear screens, wipers and tops screen
Full cab with hinged doors
Overhead guard sun blinds (front + top)
Heating (with pollen protection filter)
Radio with CD player
Fabric covered comfort seat
Super-comfort seat with air suspension, heater and backrest extension
Swivelling seat
Integrated charger unit, optionally with electrolytic circulation
Individual or single hydraulic control joystick
Working lamps with LED technology
Truck lighting with LED technology (only rear lights)

Full road lighting
Flashing beacon/rotating beacon
Audible reversing alarm
External, internal and panoramic mirror
Clipboard with LED illumination
Cold store protection
Active ventilation for battery charging
Alternative custom paintwork
Linde Fleet Management (LFM)
Alternative tyre types
Electrical socket 12 V

Other options available on request

Technical Data according to VDI 2198

Characteristics	1.1	Manufacturer		LINDE	LINDE
	1.2	Model designation		E35/600H	E40/600H
	1.3	Power unit		Battery	Battery
	1.4	Operation		Seat	Seat
	1.5	Load capacity	Q (t)	3.5	4.0
	1.6	Load centre	c (mm)	600	600
	1.8	Axle centre to fork face	x (mm)	538	548
	1.9	Wheelbase	y (mm)	1905	1905
	Weights	2.1	Service weight	(kg)	6875 ¹⁾
2.2		Axle load with load, front/rear	(kg)	9351 / 1024	10235 / 1125
2.3		Axle load without load, front/rear	(kg)	3760 / 3115 ¹⁾	3825 / 3535 ¹⁾
Wheels/Tyres	3.1	Tyres rubber, SE, pneumatic, polyurethane		SE	SE
	3.2	Tyre size, front		355/45-15 (28x12.5-15)	355/45-15 (28x12.5-15)
	3.3	Tyre size, rear		225/75-10 (23x9-10)	225/75-10 (23x9-10)
	3.5	Wheels, number front/rear (x = driven)		2x / 2	2x / 2
	3.6	Track width, front	b10 (mm)	1149	1149
	3.7	Track width, rear	b11 (mm)	932	932
	Dimensions	4.1	Mast/fork carriage tilt, forward/backward	a/b (°)	5.0 / 8.0
4.2		Height of mast, lowered	h1 (mm)	2433	2433
4.3		Free lift	h2 (mm)	150	150
4.4		Lift	h3 (mm)	3100	3100
4.5		Height of mast, extended	h4 (mm)	4000	4000
4.7		Height of overhead guard (cabin)	h6 (mm)	2360	2360
4.8		Height of seat/stand-on platform	h7 (mm)	1230	1230
4.12		Towing coupling height	h10 (mm)	722	722
4.19		Overall length	l1 (mm)	3712	3722
4.20		Length to fork face	l2 (mm)	2712	2722
4.21		Overall width	b1/b2 (mm)	1440 / 1278	1440 / 1278
4.22		Fork dimensions	s/e/l (mm)	50 x 120 x 1000	60 x 130 x 1000
4.23		Fork carriage to ISO 2328, class/type A, B		3A	3A
4.24		Width of fork carriage	b3 (mm)	1350	1350
4.31		Ground clearance, below mast	m1 (mm)	146	145
4.32		Ground clearance, centre of wheelbase	m2 (mm)	160	160
4.33		Aisle width with pallet 1000 x 1200 across forks	Ast (mm)	3954 ²⁾	3964 ²⁾
4.34		Aisle width with pallet 800 x 1200 along forks	Ast (mm)	4154 ²⁾	4164 ²⁾
4.35		Turning radius	Wa (mm)	2216	2216
4.36		Minimum pivoting point distance	b13 (mm)	580	580
Performance	5.1	Travel speed, with/without load	(km/h)	20 / 20	20 / 20
	5.2	Lifting speed, with/without load	(m/s)	0.45 / 0.56	0.42 / 0.56
	5.3	Lowering speed, with/without load	(m/s)	0.55 / 0.55	0.55 / 0.55
	5.5	Tractive force, with/without load	(N)	4600 / 4600	4600 / 4600
	5.6	Maximum tractive force, with/without load	(N)	19000 / 19000	19000 / 19000
	5.7	Climbing ability, with/without load	(%)	6.0 / 9.1	5.5 / 8.5
	5.8	Maximum climbing ability, with/without load	(%)	19.0 / 29.4	17.3 / 27.3
	5.9	Acceleration time, with/without load	(s)	4.5 / 4.2	4.7 / 4.2
	5.10	Service brake		hydr./mech.	hydr./mech.
	Drive	6.1	Drive motor, 60 minute rating	(kW)	2x 11.9
6.2		Lift motor rating at S3 15%	(kW)	25	25
6.3		Battery according to DIN 43531/35/36 A,B,C,no		43 536 / A	43 536 / A
6.4		Battery voltage/rated capacity (5h)	(V/Ah)	80 / 700-775	80 / 700-775
6.5		Battery weight (± 5%)	(kg)	1863	1863
6.6		Power consumption according to VDI cycle	(kWh/h)	10,2	12,7
Others	8.1	Type of drive control		Digital/stepless	Digital/stepless
	8.2	Operating pressure for attachments	(bar)	170	170
	8.3	Oil flow for attachments	(l/min)	55	55
	8.4	Noise level at operator's ear	(dB(A))	50.0	50.0

1) Figures with battery, see line 6.4/6.5.

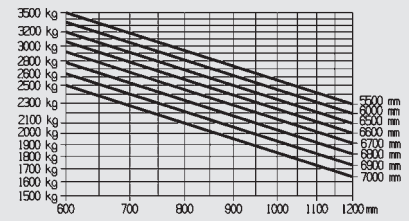
2) Including a 200 mm (min.) operating aisle clearance.

LINDE	LINDE	LINDE	LINDE	LINDE
E45/600H	E40/600HL	E45/600HL	E50HL	E40/600L
Battery	Battery	Battery	Battery	Battery
Seat	Seat	Seat	Seat	Seat
4.5	4.0	4.5	5.0	4.0
600	600	600	500	600
548	548	548	548	548
1905	2050	2050	2050	2050
7870 ¹⁾	7285 ¹⁾	7740 ¹⁾	7895 ¹⁾	7435 ¹⁾
11057 / 1313	10230 / 1055	11025 / 1215	11566 / 1329	10410 / 1025
3845 / 4025 ¹⁾	3990 / 3295 ¹⁾	4005 / 3735 ¹⁾	4010 / 3885 ¹⁾	4170 / 3265 ¹⁾
SE	SE	SE	SE	SE
355/45-15 (28x12.5-15)	355/45-15 (28x12.5-15)	355/45-15 (28x12.5-15)	355/45-15 (28x12.5-15)	355/45-15 (28x12.5-15)
225/75-10 (23x9-10)	225/75-10 (23x9-10)	225/75-10 (23x9-10)	225/75-10 (23x9-10)	225/75-10 (23x9-10)
2x / 2	2x / 2	2x / 2	2x / 2	2x / 2
1149	1149	1149	1149	1149
932	932	932	932	932
5.0 / 8.0	5.0 / 8.0	5.0 / 8.0	5.0 / 8.0	5.0 / 8.0
2433	2433	2433	2433	2160
150	150	150	150	1260
3100	3100	3100	3100	4075
4000	4000	4000	4000	4975
2360	2360	2360	2360	2220
1230	1230	1230	1230	1155
722	722	722	722	722
3722	3867	3867	3867	3867
2722	2867	2867	2867	2867
1440 / 1278	1440 / 1278	1440 / 1278	1440 / 1278	1440 / 1278
60 x 130 x 1000	60 x 130 x 1000	60 x 130 x 1000	60 x 130 x 1000	60 x 130 x 1000
3A	3A	3A	3A	3A
1350	1350	1350	1350	1350
144	145	144	143	145
160	160	160	160	160
3984 ²⁾	4109 ²⁾	4109 ²⁾	4109 ²⁾	4109 ²⁾
4184 ²⁾	4309 ²⁾	4309 ²⁾	4309 ²⁾	4309 ²⁾
2236	2361	2361	2361	2361
580	580	580	580	580
20 / 20	20 / 20	20 / 20	20 / 20	20 / 20
0.39 / 0.56	0.42 / 0.56	0.39 / 0.56	0.35 / 0.5	0.42 / 0.56
0.55 / 0.55	0.55 / 0.55	0.55 / 0.55	0.55 / 0.55	0.55 / 0.55
4600 / 4600	4600 / 4600	4600 / 4600	4600 / 4600	4600 / 4600
19000 / 19000	19000 / 19000	19000 / 19000	19000 / 19000	19000 / 19000
5.0 / 7.9	5.5 / 8.6	5.1 / 8.1	4.8 / 7.9	5.5 / 8.6
15.9 / 25.4	17.4 / 27.6	16.0 / 25.8	15.2 / 25.3	17.4 / 27.6
4.9 / 4.2	4.7 / 4.2	4.9 / 4.2	5.2 / 4.2	4.7 / 4.2
hydr./mech.	hydr./mech.	hydr./mech.	hydr./mech.	hydr./mech.
2x 11.9	2x 11.9	2x 11.9	2x 11.9	2x 11.9
25	25	25	25	25
43 536 / A	43 536 / A	43 536 / A	43 536 / A	43 536 / A
80 / 700-775	80 / 840	80 / 840	80 / 840	80 / 840
1863	2180	2180	2180	2180
13,9	12,7	13,9	14,5	12,7
Digital/stepless	Digital/stepless	Digital/stepless	Digital/stepless	Digital/stepless
170	170	170	170	170
55	55	55	55	55
50.0	50.0	50.0	50.0	50.0

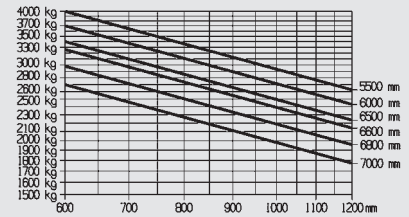
Load Capacity Diagrams

valid for standard mast with SE tyres 28x12.5-15 and fork carriage

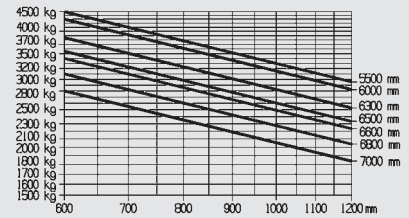
E 35/600 H



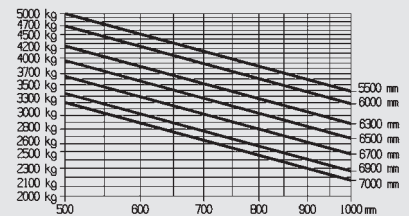
E 40/600 H, E 40/600 HL



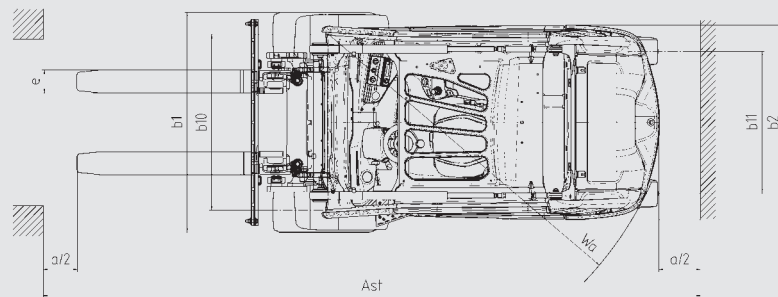
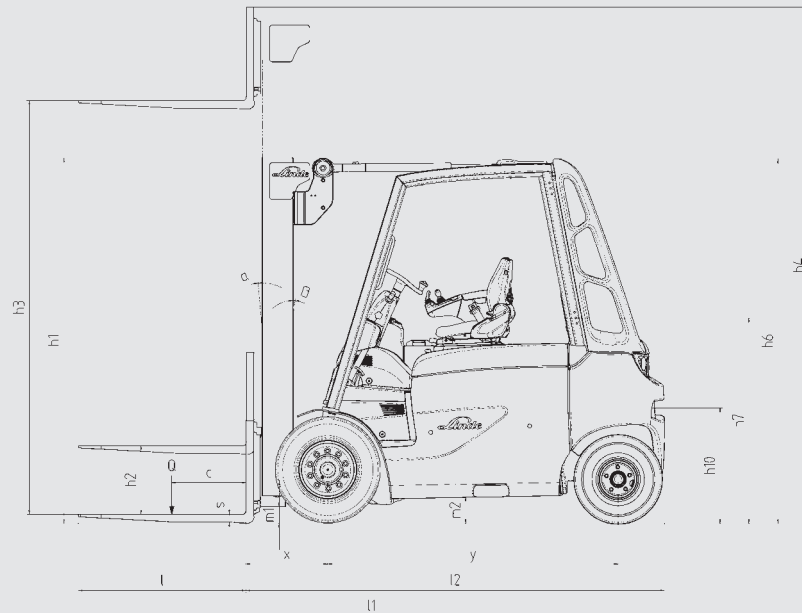
E 45/600 H, E 45/600 HL



E 50 HL



LINDE	LINDE
E45/600L	E50L
Battery	Battery
Seat	Seat
4.5	5.0
600	500
548	548
2050	2050
7890 ¹⁾	7770 ¹⁾
11205 / 1185	11471 / 1299
4185 / 3705 ¹⁾	3915 / 3855 ¹⁾
SE	SE
355/45-15 (28x12.5-15)	355/45-15 (28x12.5-15)
225/75-10 (23x9-10)	225/75-10 (23x9-10)
2x / 2	2x / 2
1149	1149
932	932
5.0 / 8.0	5.0 / 8.0
2160	2160
1260	1260
4075	4075
4975	4975
2220	2220
1155	1155
722	722
3867	3867
2867	2867
1440 / 1278	1440 / 1278
60 x 130 x 1000	60 x 130 x 1000
3A	3A
1350	1350
144	143
160	160
4109 ²⁾	4109 ²⁾
4309 ²⁾	4309 ²⁾
2361	2361
580	580
20 / 20	20 / 20
0.39 / 0.56	0.35 / 0.5
0.55 / 0.55	0.55 / 0.55
4600 / 4600	4600 / 4600
19000 / 19000	19000 / 19000
5.1 / 8.1	4.8 / 7.9
16.0 / 25.8	15.2 / 25.3
4.9 / 4.2	5.2 / 4.2
hydr./mech.	hydr./mech.
2x 11.9	2x 11.9
25	25
43 536 / A	43 536 / A
80 / 840	80 / 840
2180	2180
13,9	14,5
Digital/stepless	Digital/stepless
170	170
55	55
50.0	50.0



Standard mast		E35/600H E40/600H					E40/600HL E45/600H E45/600HL E50HL				
Lift	h3	3100	3700	4100	4400	5000	3100	3700	4100	4400	5000
Mast retracted *	h1	2433	2733	2933	3083	3383	2433	2733	2933	3083	3383
Mast extended	h4	3800	4400	4800	5100	5700	4000	4600	5000	5300	5900
Free lift	h2	150	150	150	150	150	150	150	150	150	150

Triplex mast		E35/600H E40/600H			E40/600HL E45/600H E45/600HL E50HL		
Lift	h3	4675	5515	6015	4675	5515	6015
Mast retracted	h1	2360	2660	3060	2360	2660	3060
Mast extended	h4	5375	6215	7315	5575	6415	7515
Free lift	h2	1660	1960	2360	1460	1760	2160

Figures in mm
 Figures for other equipments and triplex masts on request



Features

Linde compact drive axle

- Twin drive design with high performance Linde AC technology
- Optimum energy efficiency
- Maintenance-free oil-bath vane brake
- Automatic parking brake
- Electronic components housed in sealed unit for complete protection



Linde hydrostatic power steering

- Minimal physical demands on the operator
- Compact ergonomically designed steering wheel
- Linde combi steer axle for outstanding manoeuvrability

Linde twin accelerator control

- Seamless, rapid reversing without repositioning the feet
- Short pedal travel
- Fatigue-free working
- Increased throughput and performance

Linde Load Control

- Small tactile joystick integrated in an adjustable armrest
- Precise and effortless fingertip joystick control of all mast functions
- Safe and highly efficient load handling

Linde Dual Motor Drive

- Two powerful AC drive motors integrated in the front axle
- Seamless acceleration and variable torque characteristics
- Extremely quiet in operation



Linde operator's compartment

- Ergonomically designed for efficient, fatigue-free working
- Spacious operator's compartment with generous floor plate area
- Cushioned comfort – mast and drive axle are isolated from the chassis and cab by a unique resilient suspension system that absorbs shock loadings

Linde clearview mast design

- with top mounted tilt cylinders for seamless load control and stability
- Excellent view of load and surroundings through the robust yet slim mast profiles
- Nominal capacity retained to maximum lift heights
- High residual capacities in all applications

Linde energy management

- Optimised energy consumption
- Accurate battery condition indicator
- Simple horizontal or vertical battery changing options
- Optional built-in high frequency charger for convenience and flexibility
- Record of battery usage

