

H3.50XM, H4.00XM-5, H4.00XMS-6, H4.00XM-6, H4.50XM, H5.00XM, H5.50XM

		H3.50XM	H4.00XM-5	H4.00XMS-6	H4.00XM-6					
CHARACTERISTICS	1.1 Manufacturer	HYSTER								
	1.2 Model designation	H3.50XM	H4.00XM-5	H4.00XMS-6	H4.00XM-6					
	1.3 Power: battery, diesel, LPG, electric mains	Diesel	Diesel	Diesel	Diesel					
	1.4 Operation: manual, pedestrian, stand, seat, man-up	Seat	Seat	Seat	Seat					
	1.5 Load capacity	3 500	4 000	4 000	4 000					
	1.6 Load centre	500	500	600	600					
	1.8 Load distance	516	516	516	584					
	1.9 Wheelbase	1 830	1 830	1 830	2 100					
			5 669		5 969		6 189		6 556	
WEIGHTS	2.1 Unladen weight	8 037		8 755		8 934		9 438		
	2.2 Axle loading with load, front/rear	1 132		1 213		1 254		1 117		
	2.3 Axle loading without load, front/rear	2 594		3 075		2 496		3 693		
		2 594		3 075		2 496		3 693		
WHEELS & TYRES	3.1 Tyres: L=pneumatic, V=solid, SE=pneumatic-shaped solid	SE		SE		SE		SE		
	3.2 Tyre size, front	250 x 15		250 x 15		250 x 15		300 x 15		
	3.3 Tyre size, rear	7,00 x 12		7,00 x 12		7,00 x 12		7,00 x 12		
	3.5 Number of wheels, front/rear (X = driven)	2X	2	2X	2	2X	2	2X	2	
	3.6 Track width, front	1 152		1 152		1 152		1 150		
	3.7 Track width, rear	1 135		1 135		1 135		1 135		
			6		6		6		6	
DIMENSIONS	4.1 Mast tilt, $\alpha = \text{forward}/\beta = \text{back}$	12		12		12		12		
	4.2 Height of mast, lowered	2 717		2 171		2 171		2 514		
	4.3 Free lift \uparrow	100		100		100		100		
	4.4 Lift height \uparrow	3 050		3 050		3 050		3 390		
	4.5 Height of mast, extended: With/without load backrest extension	4 335	3 864	4 335	3 864	4 335	3 864	4 765	4 376	
	4.7 Overhead guard height	2 272		2 272		2 272		2 320		
	4.8 Seat height	1 110		1 110		1 110		1 153		
	4.12 Towing coupling height	500		500		500		500		
	4.19 Overall length	4 122		4 140		4 159		4 436		
	4.20 Length to face of forks	2 902		2 920		2 939		3 216		
	4.21 Overall width	1 402	1 760	1 402	1 760	1 402	1 760	1 450	1 875	
	4.22 Fork dimensions	50	125	1 220	50	125	1 220	50	125	1 220
	4.23 Fork carriage DIN 15173. Class, A/B	3A		3A		3A		4A		
	4.24 Fork carriage width \bullet	1 201		1 201		1 201		1 201		
	4.31 Ground clearance under mast, with load	125		125		125		171		
	4.32 Ground clearance, centre of wheelbase	194		194		194		237		
	4.33 Aisle width with pallets 1 000 mm x 1 200 mm wide \blacklozenge	4 236		4 273		4 301		4 564		
	4.34 Aisle width with pallets 800 mm x 1 200 mm long \blacklozenge	4 436		4 473		4 501		4 764		
	4.35 Outer turning radius	2 520		2 550		2 585		2 780		
	4.36 Inner turning radius	44		44		44		154		
		21		22		21		22		
PERFORMANCE	5.1 Travel speed with/without load	21		22		21		22		
	5.2 Lifting speed with/without load	0,54		0,59		0,54		0,59		
	5.3 Lowering speed with/without load	0,54		0,48		0,54		0,48		
	5.5 Drawbar pull with/without load, 60 minute rating	30 799	23 403	30 661	22 871	30 626	22 519	26 022	25 515	
	5.6 Maximum drawbar pull with/without load, 5 minute rating	31 756	23 403	31 618	22 871	31 582	22 519	27 001	26 452	
	5.7 Gradeability with/without load, 30 minute rating \uparrow	36,5	28,9	33,0	26,6	32,2	25,2	26,0	31,0	
	5.8 Maximum gradeability with/without load, 5 minute rating \uparrow	37,7	28,9	34,2	26,6	33,3	25,2	27,0	31,0	
	5.9 Acceleration time with/without load	4,4	3,8	4,5	3,9	4,6	3,9	4,7	3,9	
	5.10 Service brake	Hydraulic		Hydraulic		Hydraulic		Hydraulic		
			Perkins 1004.42		Perkins 1004.42		Perkins 1004.42		Perkins 1004.42	
ENGINE	7.1 Engine manufacturer/type	Perkins 1004.42		Perkins 1004.42		Perkins 1004.42		Perkins 1004.42		
	7.2 Engine output, in accordance with ISO 1585	58,7		58,7		58,7		58,7		
	7.3 Governed speed	2 200		2 200		2 200		2 200		
	7.4 Number of cylinders/displacements	4	4 200	4	4 200	4	4 200	4	4 200	
	7.5 Fuel consumption	-		-		-		-		
		Hydrostatic		Hydrostatic		Hydrostatic		Hydrostatic		
OTHER	8.1 Drive control	Hydrostatic		Hydrostatic		Hydrostatic		Hydrostatic		
	8.2 Working pressure for attachments	155		155		155		155		
	8.3 Oil flow for attachments	91		91		91		108		
	8.4 Average noise level at driver's ear (Lpaz) \square	91		91		91		108		
	Guaranteed sound power (Lwaz) \circ		Guaranteed sound power (Lwaz) \circ		Guaranteed sound power (Lwaz) \circ		Guaranteed sound power (Lwaz) \circ			

Equipment and weight:

Weights (line 2.1) are based on the following specifications:

Complete truck with Perkins 1004.42 diesel engine hydrostatic transmission, 3 100 mm Vista 2-stage limited free lift mast (H3.50XM-H4.00XMS-6) or 3 450 mm Vista 2-stage limited free lift mast (H4.00XM-6-H5.50XM), 1 201 mm hook type carriage with load backrest and 1 220 mm forks, pneumatic shaped solid tyres, overhead guard and load backrest extension.

HYSTER		HYSTER		HYSTER		
H4.50XM		H5.00XM		H5.50XM		1.1
Diesel		Diesel		Diesel		1.2
Seat		Seat		Seat		1.3
4 500		5 000		5 500		1.4
600		600		600		1.5
584		584		584		1.6
2 100		2 100		2 100		1.8
						1.9

CHARACTERISTICS

6 885		7 184		7 434		
10 155	1 229	10 878	1 306	11 593	1 340	2.1
3 119	3 766	3 060	4 124	2 994	4 440	2.2
						2.3

WEIGHTS

SE		SE		SE		
300 x 15		300 x 15		300 x 15		3.1
7,00 x 12		7,00 x 15		7,00 x 15		3.2
2X	2	2X	2	2X	2	3.3
1 150		1 150		1 150		3.5
1 135		1 135		1 135		3.6
						3.7

WHEELS & TYRES

6		12		6		12		6		12		
2 514		2 514		2 514		2 514		2 514		2 514		4.1
100		100		100		100		100		100		4.2
3 390		3 390		3 390		3 390		3 390		3 390		4.3
4 765	4 376	4 765	4 376	4 765	4 376	4 765	4 376	4 765	4 376	4 765	4 376	4.4
2 320		2 350		2 350		2 350		2 350		2 350		4.5
1 153		1 153		1 153		1 153		1 153		1 153		4.7
500		500		500		500		500		500		4.8
4 467		4 515		4 550		4 550		4 550		4 550		4.12
3 247		3 295		3 330		3 330		3 330		3 330		4.19
1 450	1 875	1 450	1 875	1 450	1 875	1 450	1 875	1 450	1 875	1 450	1 875	4.20
60	150	1 220	60	150	1 220	60	150	1 220	60	150	1 220	4.21
4A		4A		4A		4A		4A		4A		4.22
1 201		1 201		1 201		1 201		1 201		1 201		4.23
171		171		171		171		171		171		4.24
237		237		237		237		237		237		4.31
4 609		4 669		4 709		4 709		4 709		4 709		4.32
4 809		4 869		4 909		4 909		4 909		4 909		4.33
2 825		2 885		2 925		2 925		2 925		2 925		4.34
154		154		154		154		154		154		4.35
												4.36

DIMENSIONS

24		25		24		25		24		25		
0,40	0,43	0,40	0,43	0,40	0,43	0,40	0,43	0,40	0,43	0,40	0,43	5.1
0,47	0,41	0,47	0,41	0,47	0,41	0,47	0,41	0,47	0,41	0,47	0,41	5.2
25 880	25 459	25 742	25 407	25 622	25 372	25 622	25 372	25 622	25 372	25 622	25 372	5.3
26 858	26 396	26 720	26 344	26 600	26 309	26 600	26 309	26 600	26 309	26 600	26 309	5.5
23,8	28,7	22,1	26,9	20,6	25,4	20,6	25,4	20,6	25,4	20,6	25,4	5.6
24,8	28,7	22,9	26,9	21,5	25,4	21,5	25,4	21,5	25,4	21,5	25,4	5.7
4,7	4,0	4,9	4,1	5,1	4,2	5,1	4,2	5,1	4,2	5,1	4,2	5.8
Hydraulic		Hydraulic		Hydraulic		Hydraulic		Hydraulic		Hydraulic		5.9
												5.10

PERFORMANCE

Perkins 1004.42		Perkins 1004.42		Perkins 1004.42		
58,7		58,7		58,7		7.1
2 200		2 200		2 200		7.2
4	4 200	4	4 200	4	4 200	7.3
-		-		-		7.4
						7.5

ENGINE

Hydrostatic		Hydrostatic		Hydrostatic		
155		155		155		8.1
108		108		108		8.2
☞		☞		☞		8.3
☞		☞		☞		8.4

OTHER

Fuel tank capacity:

H3.50XM-H4.00XMS-6: 69 litres
H4.00XM-6-H5.50XM: 103 litres

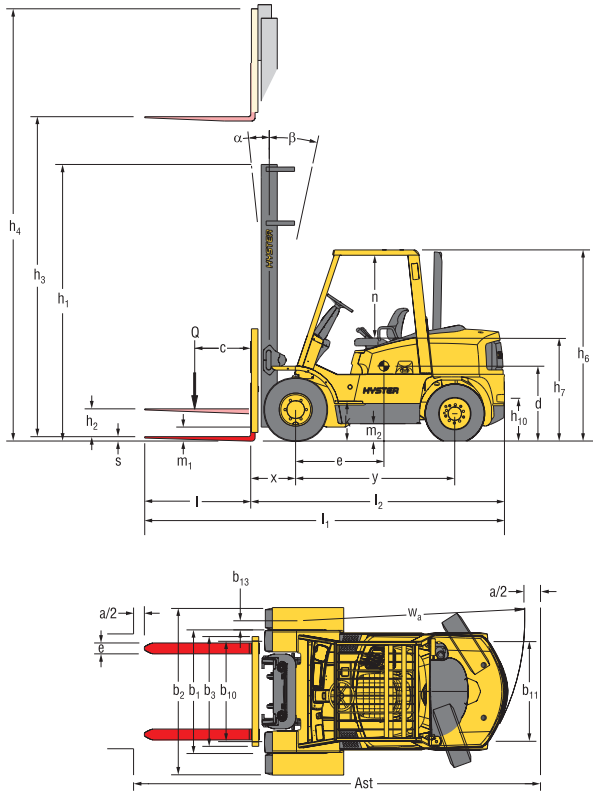
Forks:

H3.50XM-H4.00XMS-6: 50 x 125 x 1 220 to 1 800 mm long
H4.00XM-6-H5.50XM: 60 x 150 x 1 220 to 1 800 mm long

Fork spacing:

Inside to inside, minimum: 135 mm (H3.50XM-H4.00XMS-6) 160 mm (H4.00XM-6-H5.50XM)
Outside to outside, maximum: 1 105 mm (H3.50XM-H4.00XMS-6) 1 109 mm (H4.00XM-6-H5.50XM)

Truck dimensions



= Centre of gravity of unladen truck

$A_{st} = W_a + x + l_6 + a$ (see lines 4.33 & 4.34)

a = Minimum operating clearance

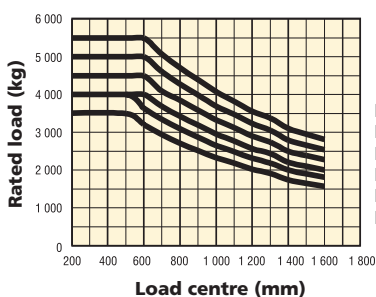
(V.D.I. standard = 200 mm BITA recommendation = 300 mm)

l_6 = Load length

Model

	H3.50XM	H4.00XM-5	H4.00XMS-6	H4.00XM-6	H4.50XM	H5.00XM	H5.50XM
Load moment cm-kg	355 600	406 400	446 400	473 600	532 800	592 000	651 200
Dimensions (mm)	d	733	737	739	796	797	792
	e	991	1 050	1 091	1 079	1 148	1 252
	k	450	450	450	493	493	493
	n	1 070	1 070	1 070	1 070	1 070	1 070

Rated capacities



H5.50XM
H5.00XM
H4.50XM
H4.00XM-6
H4.00XM-5
H3.50XM

Load centre

Distance from front of forks to centre of gravity of load.

Rated load

Based on vertical masts up to 4 300 mm (H3.50XM, H4.00XM-5, H4.00XMS-6) or 4 050 mm (H4.00XM-6, H4.50XM, H5.00XM) to top of forks.

NOTE:


Specifications are affected by the condition of the vehicle and how it is equipped, as well as the nature and condition of the operating area. If these specifications are critical, the proposed application should be discussed with your dealer.

- Add 49 mm with load backrest extension
- † Bottom of forks
- ◆ Stacking aisle width (lines 4.33 & 4.34) are based on the V.D.I. standard calculation as shown on illustration. The British Industrial Truck Association recommends the addition of 100 mm to the total clearance (dimension a) for extra operating margin at the rear of the truck.
- † Gradeability figures (lines 5.7 & 5.8) are provided for comparison of tractive performance, but are not intended to endorse the operation of the vehicle on the stated inclines. Follow instructions in the operating manual regarding operation on inclines.
- Noise level based on the weighting values contained in EN12053
- Noise level measured according to 2000/14/EC directive

Mast tables:

- ◇ 6° Back tilt required
- ▶ Lowered height lower than overhead guard height
- ★ Add 471 mm with load backrest extension
- ❖ Add 423 mm with load backrest extension
- Deduct 423 mm with load backrest extension
- Add 389 mm with load backrest extension
- * Add 334 mm with load backrest extension
- ▲ Deduct 334 mm with load backrest extension
- ◀ Wide tread or dual drive wheels required
- ☎ Consult your Hyster lift truck dealer.



Hyster, **HYSTER**, , Monotrol, Vista, Challenger and SpaceSaver are trademarks of Hyster Company. Hyster products are subject to change without notice. Lift trucks illustrated may feature optional equipment.



Safety:
This truck conforms to the current EU requirements.

Mast and capacity information

Vista masts H3.50-H4.00XMS-6

	Maximum fork height mm	Back tilt	Overall lowered height mm	Overall extended height mm	Free lift (top of forks) mm
Vista 2-5tsg limited free lift	3 100	12° ◇	2 171 ▶	3 864 ★	150
	3 700	12° ◇	2 471	4 464 ★	150
	4 300	12° ◇	2 771	5 064 ★	150
	5 000	6°	3 221	5 764 ★	150
	5 600	6°	3 621	6 364 ★	150
	6 200	6°	4 021	6 964 ★	150
Vista 2-5tsg full free lift	3 100	12° ◇	2 171 ▶	3 912 ❖	1 380 □
	3 700	12° ◇	2 471	4 512 ❖	1 680 □
Vista 3-5tsg full free lift	4 415	6°	2 171 ▶	5 227 ❖	1 380 □
	4 950	6°	2 371	5 762 ❖	1 580 □
	5 250	6°	2 471	6 062 ❖	1 680 □
	5 550	6°	2 571	6 362 ❖	1 780 □
	6 000	6°	2 771	6 812 ❖	1 980 □

Vista masts H4.00XM-6-H5.50XM

	Maximum fork height mm	Back tilt	Overall lowered height mm	Overall extended height mm	Free lift (top of forks) mm
Vista 2-5tsg limited free lift	2 850	12° ◇	2 214 ▶	3 776 ■	160
	3 450	12° ◇	2 514	4 376 ■	160
	4 050	12° ◇	2 814	4 976 ■	160
	4 750	6°	3 264	5 676 ■	160
	5 350	6°	3 664	6 276 ■	160
	5 950	6°	4 064	6 876 ■	160
Vista 2-5tsg full free lift	2 850	12° ◇	2 214 ▶	3 831 *	1 263 ▲
	3 450	12° ◇	2 514	4 431 *	1 563 ▲
Vista 3-5tsg full free lift	4 147	6°	2 214 ▶	5 128 *	1 263 ▲
	5 000	6°	2 514	5 981 *	1 563 ▲
	5 300	6°	2 614	6 281 *	1 663 ▲
	5 750	6°	2 814	6 731 *	1 863 ▲

H3.50XM-H4.00XMS-6 - Capacity chart in kg @ 500 mm (a) or @ 600 mm (b) load centre

Pneumatic shaped solid tyres							
Maximum fork height (top of forks) mm	Back tilt	Without sideshift			With integral sideshift		
		H3.50XM (a)	H4.00XM-5 (a)	H4.00XMS-6 (b)	H3.50XM (a)	H4.00XM-5 (a)	H4.00XMS-6 (b)
Vista 2-5tsg limited free lift	3 100	12° ◇	3 500	4 000	4 000	3 500	4 000
	3 700	12° ◇	3 500	4 000	4 000	3 500	4 000
	4 300	12° ◇	3 500	4 000	4 000	3 500	4 000
	5 000	6°	3 380	3 870	3 880	3 360	3 850
	5 600	6°	3 240	3 720	3 730	3 190	3 670
	6 200	6°	3 080	3 550	3 570	3 010	3 480
Vista 2-5tsg full free lift	3 100	12° ◇	3 500	4 000	4 000	3 400	3 890
	3 700	12° ◇	3 500	4 000	4 000	3 380	3 870
Vista 3-5tsg full free lift	4 415	6°	3 500	4 000	4 000	3 380	3 870
	4 950	6°	3 390	3 880	3 890	3 250	3 740
	5 250	6°	3 310	3 810	3 810	3 180	3 660
	5 550	6°	3 230	3 720	3 730	3 100	3 580
	6 000	6°	3 100	3 580	3 590	2 980	3 440

H4.00XM-6-H5.50XM - Capacity chart in kg @ 600 mm load centre

Pneumatic shaped solid tyres										
Maximum fork height (top of forks) mm	Back tilt	Without sideshift				With integral sideshift				
		H4.00XM-6	H4.50XM	H5.00XM	H5.50XM	H4.00XM-6	H4.50XM	H5.00XM	H5.50XM	
Vista 2-5tsg limited free lift	2 850	12° ◇	4 000	4 500	5 000	5 500	4 000	4 500	5 000	5 500
	3 450	12° ◇	4 000	4 500	5 000	5 500	3 990	4 490	4 980	5 480
	4 050	12° ◇	4 000	4 500	5 000	5 500	3 970	4 470	4 970	5 470
	4 750	6°	3 890	4 380	4 880	5 370	3 840	4 330	4 820	5 310
	5 350	6°	3 760	4 240	4 730	5 210	3 680	4 160	4 640	5 130
	5 950	6°	3 600	4 080	4 560	5 030 ◀	3 510	3 990	4 450	4 910 ◀
Vista 2-5tsg full free lift	2 850	12° ◇	4 000	4 500	5 000	5 500	3 970	4 470	4 960	5 460
	3 450	12° ◇	4 000	4 500	5 000	5 500	3 960	4 460	4 950	5 450
Vista 3-5tsg full free lift	4 147	6°	4 000	4 500	5 000	5 500	3 920	4 420	4 910	5 410
	5 000	6°	3 840	4 330	4 820	5 310	3 740	4 230	4 710	5 200
	5 300	6°	3 770	4 250	4 740	5 230 ◀	3 660	4 150	4 620	5 110
	5 750	6°	3 660	4 140 ◀	4 620 ◀	5 100 ◀	3 540	3 990	4 490 ◀	4 960 ◀

FPO

FPO

Highlifts

The rated capacities shown are for trucks equipped with standard or sideshift carriage, and nominal length forks (see below). Masts above the maximum fork height shown here are classified as high lift, and depending on the tyre/tread configuration may require reduced capacity, restricted back tilt or wide tread.

Model	Max. fork height mm	Nominal fork length mm
H3.50XM	4 300	1 200
H4.00XM-5	4 300	1 200
H4.00XMS-6	4 300	1 200
H4.00XM-6	4 050	1 200
H4.50XM	4 050	1 200
H5.00XM	4 050	1 200
H5.50XM	4 050	1 200

High lift masts require approval from Hyster based on specific application information. This information should be supplied on Hyster form 857025-25, and will be used to determine rated capacities to be included on a specific nameplate. The completed nameplate must be installed on the truck before it is put to use.

Warning

Care must be exercised when handling elevated loads. When the carriage and/or load is elevated, truck stability is reduced. It is important that mast tilt in either direction be kept to a minimum when loads are elevated. Operators must be trained and adhere to the instructions contained in the Operating Manual.



Hyster Europe, Flagship House, Reading Road North, Fleet, Hants GU51 4WD, England
Hyster Europe, Nijverheidsweg 29, 6541 CL Nijmegen, The Netherlands
Hyster Europe, Portland Road, Irvine, Ayrshire KA12 8JG, Scotland
Hyster Europe, Via Confalonieri 2, 20060 Masate (MI), Italy
<http://www.hyster.co.uk>

01/03/202 Printed in England Form No. 871408 Rev. 2

A division of NACCO Materials Handling Limited.

FPO



H3.50-5.50XM Hydrostatic models

Diesel powered forklifts. 3 500 to 4 000 kg @ 500 mm & 4 000 to 5 500 kg @ 600 mm

Built to last

The latest generation of 3,5 to 5,5 tonne Hyster lift are built to perform in heavy duty applications, offering durability and power combined with the best in operator comfort. Trucks that will meet your needs for high productivity, economy and ease of service.

Complete comfort and smooth operation

The adjustable steering column and full suspension seat allows operators to select the most comfortable driving positions. Flip-up, adjustable armrest provides easy on/off access and reduces fatigue during hydraulic lever operation. Power steering and the optional Monotrol pedal promote operator productivity while the hydrostatic transmission reduces driver effort by virtually eliminating the need for braking.

For all weather protection you can choose a fully integrated cab designed for enhanced comfort.

317 mm x 60 mm and 317 mm x 63 mm automotive type brakes are vacuum-assisted, self adjusting and self-energising.

Performance with low maintenance

Hydrostatic models feature the Perkins 1004.42 diesel engine. A maximum Peak torque of 290 Nm is produced at just 1 400 rpm and delivered through the Hyster-engineered hydrostatic drive, giving impressive gradeability, acceleration and travel speed performance.

An advanced control system allows the hydrostatic motors to make use of 100% of available engine power.

A throttle-up system optimises the performance of hydraulic functions.

With a displacement of 4,23 litre, the Perkins 1004.42 engine is designed for low emissions, low fuel consumption and easy maintenance.

The integrated cooling system for engine, hydrostatic transmission and hydraulic system has an easy-to-clean, open fin radiator. The hydrostatic oil reservoir has temperature and level sensors connected to the dash display.

The 30,4 litre fluid capacity hydraulic system has a double gear main pump and full-time, full-flow, 10-micron return line filter.

Extra versatility

The Hyster range of Vista 2-stage limited and full-free lift and 3-stage full free lift masts are designed for good visibility and smooth, durable operation. 2-stage masts have flush-faced channels to reduce chance of load damage during operation. Hyster masts have hydraulic cushioning for optimal load control and reduced noise. For reliability and protection all hoses are routed inside the mast construction.