

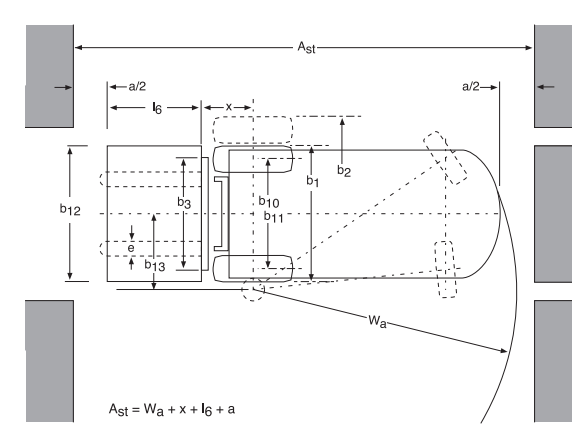
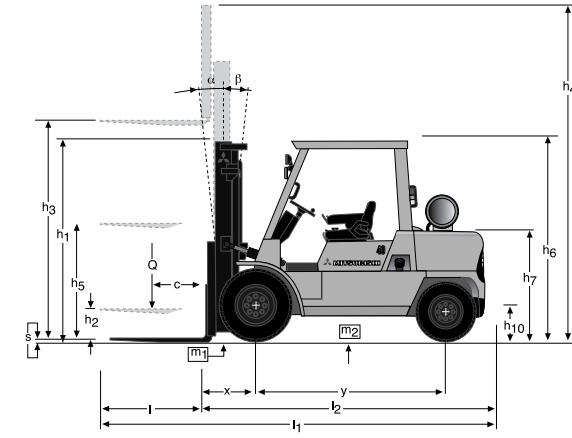


**Engine powered  
forklift trucks  
4.0 - 5.0 tonnes**



**FD/FG40K  
FD/FG40KL  
FD/FG45K  
FD/FG50K**

Characteristics			Mitsubishi		Mitsubishi		Mitsubishi		Mitsubishi	
1.1	Manufacturer (abbreviation)		FD40K	FG40K	FD40KL	FG40KL	FD45K	FG45K	FD50K	FG50K
1.2	Manufacturer's model designation		Diesel	LPG	Diesel	LPG	Diesel	LPG	Diesel	LPG
1.3	Power source: (battery, diesel, LP gas, petrol)		Seated		Seated		Seated		Seated	
1.4	Operator type: pedestrian, (operator)-standing, -seated		Seated		Seated		Seated		Seated	
1.5	Load capacity	Q (kg)	4.000 (3.500)	4.000 (3.500)	4.000 (4.500)	4.000 (4.500)	4.500 (5.000)	4.500 (5.000)	5.000	5.000
1.6	Load centre distance	c (mm)	500 (600)		600 (500)		600 (500)		600	
1.8	Load distance, axle to fork face	x (mm)	557		557		562		582	
1.9	Wheelbase	y (mm)	2000		2000		2000		2150	
Weight										
2.1	Truck weight, without load / including battery (simplex mast, lowest lift height)	kg	5710	5570	6120	5970	6680	6530	7160	7050
2.2	Axle loading with maximum load, front/rear (simplex mast, lowest lift height)	kg	8670/1040	8580/990	8860/1260	8750/1220	9740/1440	9510/1520	10710/1450	10650/1400
2.3	Axle loading without load, front/rear (simplex mast, lowest lift height)	kg	2560/3150	2460/3110	2550/3570	2440/3530	2620/4060	2390/4140	2960/4200	2900/4150
Wheels, Drive Train										
3.1	Tyres: V=solid, L=pneumatic, SE=solid pneumatic - front/rear		L/L		L/L		L/L		L/L	
3.2	Tyre dimensions, front		8.25 x 15-14 PR		300 x 15-18 PR		300 x 15-18 PR		300 x 15-18 PR	
3.3	Tyre dimensions, rear		7.00 x 12-14PR		7.00 x 12-14PR		7.00 x 12-14PR		7.00 x 12-14PR	
3.5	Number of wheels, front/rear (x=driven)		2x/2		2x/2		2x/2		2x/2	
3.6	Track width (centre of tyres), front	b10 (mm)	1175		1175		1175		1175	
3.7	Track width (centre of tyres), rear	b11 (mm)	1180		1180		1180		1180	
Dimensions										
4.1	Mast tilt, forwards/backwards	$\alpha/\beta$ °	6/10		6/10		6/10		6/10	
4.2	Height with mast lowered (see tables)	h1 (mm)	2320		2320		2400		2400	
4.3	Free lift (see tables)	h2 (mm)	100		100		100		100	
4.4	Lift height (see tables)	h3 (mm)	3300		3300		3300		3300	
4.5	Overall height with mast raised	h4 (mm)	4570		4570		4570		4590	
4.7	Height to top of overhead guard	h6 (mm)	2250		2250		2250		2250	
4.8	Seat height	h7 (mm)	1093		1093		1093		1093	
4.12	Tow coupling height	h10 (mm)	420		420		420		420	
4.19	Overall length	l1 (mm)	4290		4340		4395		4525	
4.20	Length to fork face (includes fork thickness)	l2 (mm)	3070		3120		3175		3305	
4.21	Overall width	b1/b2 (mm)	1415/1965		1460/1965		1460/1965		1460/1965	
4.22	Fork dimensions (thickness, width, length)	s / e / l (mm)	50,150, 1220		50,150, 1220		50,150, 1220		60,150, 1220	
4.23	Fork carriage to DIN 15 173 A/B/no		3A		3A		3A		4A	
4.24	Fork carriage width	b3 (mm)	1190		1190		1190		1190	
4.31	Ground clearance under mast, with load	m1 (mm)	150		150		150		150	
4.32	Ground clearance at centre of wheelbase, with load (forks lowered)	m2 (mm)	252		252		252		252	
4.33	Working aisle width with 1000 x1200 mm pallets, crosswise	Ast (mm)	4492		4532		4582		4747	
4.34	Working aisle width with 800 x1200 mm pallets, crosswise	Ast (mm)	4292		4332		4382		4547	
4.35	Turning circle radius	Wa (mm)	2735		2775		2820		2965	
4.36	Minimum distance between centres of rotation	b13 (mm)	870		870		870		965	
Performance										
5.1	Travel speed, with/without load	km/h	17,5 / 19,5	18 / 19,5	18 / 19,5	18 / 19,5	17,5 / 19,5	18 / 19,5	21,5(12,5*) / 23,5(13,5*)	21(12,5*) / 23,5(13,5*)
5.2	Lifting speed, with/without load	m/s	0.50 / 0.52	0.51 / 0.51	0.50 / 0.52	0.51 / 0.51	0.43 / 0.45	0.44 / 0.44	0.43 / 0.45	0.44 / 0.44
5.3	Lowering speed, with/without load	m/s	0.50 / 0.50		0.50 / 0.50		0.50 / 0.50		0.50 / 0.50	
5.5	Rated drawbar pull, with/without load	N	19400 / 17500	24000 / 17000	19000 / 17000	24000 / 17000	19000 / 18000	24000 / 18000	26000 / 21000	33000 / 20000
5.7	Gradeability, with/without load	%	20.6 / 27.1	26.8 / 27.4	20.5 / 25.5	25.8 / 25.2	19.4 / 24.1	23.0 / 22.3	25.5 / 26.3	29.4 / 25.7
5.9	Acceleration time (10 metres) with/without load	s	N/A	N/A	N/A	N/A	N/A	N/A	4,56 / 3,99	4,70 / 4,10
5.10	Service brakes (mechanical/hydraulic/electric/pneumatic)		Hydraulic		Hydraulic		Hydraulic		Hydraulic	
IC Engine										
7.1	Manufacturer / Type		S6S-55.3kW	TB45	S6S-55.3kW	TB45	S6S-55.3kW	TB45	S6S-55.3kW	TB45
7.2	Rated output to ISO 1585	kW	53.3	72	53.3	72	53.3	72	53.3	72
7.3	Rated speed to DIN 70 020	rpm	2450	2450	2450	2450	2450	2450	2450	2450
7.4	Number of cylinders / cubic capacity	cm3	6 / 4996	6 / 4500	6 / 4996	6 / 4500	6 / 4996	6 / 4500	6 / 4996	6 / 4500
7.5	Fuel consumption according to VDI 60 cycle	l/h / kg/h	N/A	N/A	N/A	N/A	N/A	N/A	N/A	N/A
Miscellaneous										
8.1	Type of drive control		Powershift 1/1		Powershift 1/1		Powershift 1/1		Powershift 2/2	
8.2	Maximum operating pressure for attachments	bar	191		191		191		191	
8.3	Oil flow for attachments	l/min	N/A		N/A		N/A		N/A	
8.4	Noise level, value at operator's ear (EN 12053)	dB(A)	83.5	80	83.5	80	83.5	80	83.5	80
8.5	Towing coupling design / DIN type, ref.		Pin		Pin		Pin		Pin	



[alternative load centre] \* 1<sup>st</sup> speed \*\* dual tyres are optional. On the FD/FG 40K, 40KL and 45K capacity rating at 500mm and 600mm.

Mast Type	FD40K FG40K FD40KL FG40KL				FD/FG40K		FD/FG40KL	
	h3	h1	h4	h2 / h5	Q @ c=500 mm	Q @ c=600 mm	Q @ c=500 mm	Q @ c=600 mm
	mm	mm	mm	mm	kg	kg	kg	kg
Simplex	3000	2170	4270	100	4000	3500	4500	4000
	3300	2320	4570	100	4000	3500	4500	4000
	3700	2520	4970	100	4000	3500	4500	4000
	4000	2700	5270	100	4000	3500	4500	4000
	4500	3000	5770	100	4000	3500	4500	4000
	5000	3250	6270	100	4000	3500	4500	4000
	5500	3500	6770	100	3700*	3500*	4300*	4000*
Duplex	6000	3750	7270	100	3600*	3400*	4100*	3900*
	3000	2170	4265	905	4000	3500	4500	4000
	3300	2320	4565	1055	4000	3500	4500	4000
	3700	2520	4965	1255	4000	3500	4500	4000
Triplex	4060	2700	5325	1435	4000	3500	4500	4000
	3700	1950	4965	685	4000	3500	4500	4000
	4000	2050	5265	785	4000	3500	4500	4000
	4360	2170	5625	905	4000	3500	4500	4000
	4700	2285	5965	1020	4000	3500	4500	4000
	5050	2400	6315	1135	3900	3500	4500	4000
	5500	2550	6765	1285	3700*	3400*	4200*	4000*
	6000	2750	7265	1485	3600*	3300*	4100*	3800*
	6500	2950	7765	1685	3200*	3200*	4100*	3200*
	7000	3150	8265	1885	2400*	2400*	4100*	2400*

### Key

- h1 Height with mast lowered
- h2 Standard free lift
- h3 Standard lift height
- h4 Height with mast raised
- h5 Full free lift
- Q Lifting capacity, rated load
- c Load centre (distance)

(Consult your dealer for the maximum back tilt allowed to obtain the capacities specified)

\* capacities shown require truck equipped with dual tyres

Mast Type	FD45K FG45K				FD/FG45K	
	h3	h1	h4	h2 / h5	Q @ c=500 mm	Q @ c=600 mm
	mm	mm	mm	mm	kg	kg
Simplex	3000	2250	4270	100	5000	4500
	3300	2400	4570	100	5000	4500
	3700	2600	4970	100	5000	4500
	4000	2850	5270	100	5000	4500
	4500	3100	5770	100	5000	4500
	5000	3350	6270	100	5000*	4500
	5500	3600	6770	100	4900*	4500*
	6000	3850	7270	100	4200*	4200*
Duplex	2970	2250	4230	985	5000	4500
	3280	2400	4540	1135	5000	4500
	3480	2500	4740	1235	5000	4500
	4080	2850	5340	1585	5000	4500
Triplex	3700	2050	4965	785	5000	4500
	4040	2170	5305	905	5000	4500
	4310	2260	5575	995	5000	4500
	4750	2400	6015	1135	5000	4500
	5050	2500	6315	1235	5000*	4500
	5500	2650	6765	1385	4800*	4500*
	6000	2850	7265	1585	4200*	4300*
	6500	3050	7765	1785	3200*	3200*
7000	3250	8265	1985	2400*	2400*	

Mast Type	FD50K FG50K				FD/FG50K	
	h3	h1	h4	h2 / h5	Q @ c=500 mm	Q @ c=600 mm
	mm	mm	mm	mm	kg	kg
Simplex	3000	2250	4290	100	-	5000
	3300	2400	4590	100	-	5000
	3700	2600	4990	100	-	5000
	4000	2850	5290	100	-	5000
	4500	3100	5790	100	-	5000
	5000	3350	6290	100	-	5000*
	5500	3600	6790	100	-	5000*
	6000	3850	7290	100	-	4300*
Duplex	2970	2250	4250	965	-	5000
	3280	2400	4560	1115	-	5000
	3480	2500	4760	1215	-	5000
	4080	2850	5360	1565	-	5000
Triplex	3700	2050	4980	765	-	5000
	4040	2170	5320	885	-	5000
	4310	2260	5590	975	-	5000
	4750	2400	6030	1115	-	5000
	5050	2500	6330	1215	-	5000*
	5500	2650	6780	1365	-	5000*
	6000	2850	7280	1565	-	4300*
	6500	3050	7780	1765	-	3300*
7000	3250	8280	1965	-	2500*	



CESM1050 (04/08) ok  
© 2008 MCFE  
Printed in The Netherlands

mitforklift@mcf.nl  
www.mitforklift.com

NOTE: Performance specifications may vary depending on standard manufacturing tolerances, vehicle condition, types of tyres, floor or surface conditions, applications or operating environment. Trucks may be shown with non-standard options. Specific performance requirements and locally available configurations should be discussed with your distributor of Mitsubishi forklift trucks. Mitsubishi follows a policy of continual product improvement. For this reason, some materials, options and specifications could change without notice.

# **Main Features**

- *Innovative design and high quality engineering ensure long life, utter reliability and low handling costs.*
- *Excellent forward and upward visibility through the panoramic mast and overhead guard.*
- *Enhanced anti-clogging cooling system ensures optimal engine temperature for long life and low maintenance costs.*
- *High air intake in the overhead guard reduces maintenance.*
- *Reliable, durable and proven power train components.*
- *State-of-the-art LPG engines with engine management system and regulated catalytic converter for high performance, low emissions and low fuel consumption.*
- *Attractive and ergonomic operator's compartment. Generous foot and leg room and a relaxed driving position for operator of any size.*
- *Small diameter steering wheel, tilting steer column and full hydrostatic steering for precise and responsive manoeuvring.*
- *Side steps and grab bar for easy 'on/off' access.*
- *User friendly and easy to read instrument display, comprising truck hour meter, engine coolant gauge, fuel gauge and "ok" monitor which checks major truck functions.*
- *Long service interval – 500 hours – reduces cost of ownership and increases productivity.*



# **Optional features**

- *Integral sideshifter for ease of handling.*
- *Factory-fitted cabin.*
- *Fingertip controls mounted on ergonomically positioned armrest.*
- *Special sensor automatically switches on headlights in dark areas for see-and-be-seen safety.*



when  
**reliability**  
is **everything**

*At Mitsubishi Forklift Trucks, we have a code of conduct based on quality and reliability. Its guiding philosophy is to achieve 100% performance and 0% downtime. Our trucks are built to a higher specification to ensure utter reliability, whatever the application.*

*Whether in research, engineering, manufacturing, distribution or regional support, we have established standards which guarantee that when you have to depend on a forklift truck, you can depend on Mitsubishi.*

*At Mitsubishi Forklift Trucks product reliability and customer satisfaction are not just vague concepts. They are a permanent state-of-mind.*