



**DP/GP15NT - DP/GP18NT - DP/GP20CNT
DP/GP20NT - DP/GP25NT - DP/GP30NT
DP/GP35NT**

Specifications

Engine powered lift trucks

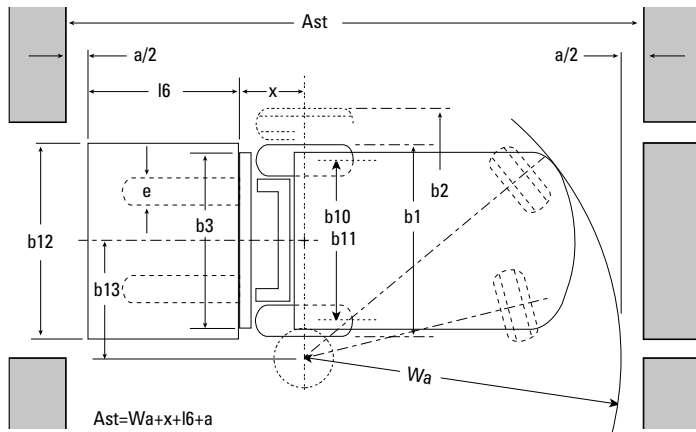
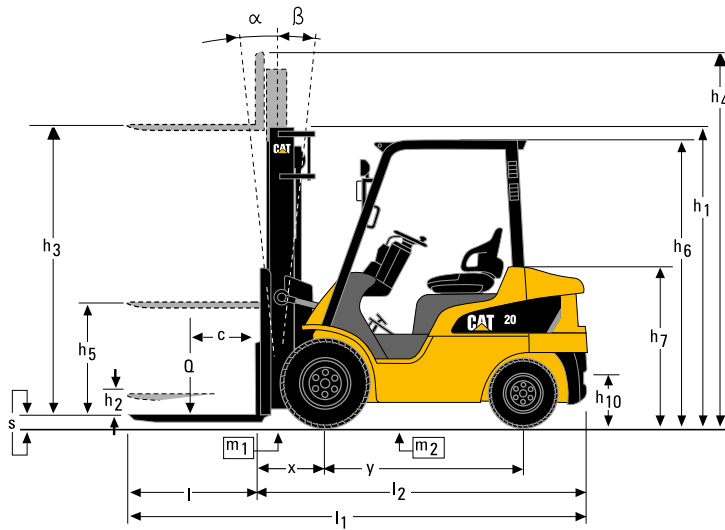
1.5 - 3.5 tonnes

Characteristics			Cat Lift Trucks	Cat Lift Trucks	Cat Lift Trucks	Cat Lift Trucks
1.1	Manufacturer (abbreviation)		DP15NT	DP18NT	DP20CNT	DP20NT
1.2	Manufacturer's model designation		Diesel	Diesel	Diesel	Diesel
1.3	Power source: (battery, diesel, LP gas, petrol)		Seated	Seated	Seated	Seated
1.4	Operator type: pedestrian, (operator)-standing, -seated		1500	1750	2000	2000
1.5	Load capacity	Q (kg)	500	500	500	500
1.6	Load centre distance	c (mm)	400	400	415	455
1.8	Load distance, axle to fork face	x (mm)	1400	1400	1400	1600
1.9	Wheelbase	y (mm)				
Weight						
2.1	Truck weight, without load / including battery (simplex mast, lowest lift height)	kg	2530	2720	3030	3380
2.2	Axle loading with maximum load, front/rear (simplex mast, lowest lift height)	kg	3520/510	3880/590	4330/700	4640/740
2.3	Axle loading without load, front/rear (simplex mast, lowest lift height)	kg	1060/1470	1000/1720	1020/2010	1450/1930
Wheels, Drive Train						
3.1	Tyres: V=solid, L=pneumatic, SE=solid pneumatic - front/rear		L / L	L / L	SE / SE	L / L
3.2	Tyre dimensions, front		6.50-10-10PR	6.50-10-10PR	6.50-10-10	7.00-12-12PR
3.3	Tyre dimensions, rear		5.00-8-8PR	5.00-8-8 PR	5.00-8-8	6.00-9-8PR
3.5	Number of wheels, front/rear (x=driven)		2x / 2	2x / 2	2x / 2	2x / 2
3.6	Track width (centre of tyres), front	b10 (mm)	890	890	890	960
3.7	Track width (centre of tyres), rear	b11 (mm)	900	900	900	980
Dimensions						
4.1	Mast tilt, forwards/backwards	∂/β °	6 / 12	6 / 12	6 / 12	6 / 12
4.2	Height with mast lowered (see tables)	h1 (mm)	1990	1990	1990	1995
4.3	Free lift (see tables)	h2 (mm)	115	115	120	140
4.4	Lift height (see tables)	h3 (mm)	3000	3000	3000	3000
4.5	Overall height with mast raised	h4 (mm)	4055	4055	4055	4055
4.7	Height to top of overhead guard	h6 (mm)	2065	2065	2065	2074
4.8	Seat height	h7 (mm)	929	929	929	938
4.12	Tow coupling height	h10 (mm)	290	290	290	310
4.19	Overall length	l1 (mm)	3180	3220	3280	3405
4.20	Length to fork face (includes fork thickness)	l2 (mm)	2260	2300	2355	2485
4.21	Overall width	b1/b2 (mm)	1065 / -	1065 / -	1065 / -	1150 / 1640
4.22	Fork dimensions (thickness, width, length)	s, e, l (mm)	35x100x920	35x100x920	45x100x920	45x100x920
4.23	Fork carriage to DIN 15 173 A/B/no		2A	2A	2A	2A
4.24	Fork carriage width	b3 (mm)	920	920	920	1000
4.31	Ground clearance under mast, with load	m1 (mm)	110	110	110	115
4.32	Ground clearance at centre of wheelbase, with load (forks lowered)	m2 (mm)	150	150	150	160
4.33	Working aisle width with 1000 x1200 mm pallets, crosswise	Ast (mm)	3550	3580	3635	3855
4.34	Working aisle width with 800 x1200 mm pallets, crosswise	Ast (mm)	3350	3380	3435	3655
4.35	Turning circle radius	Wa (mm)	1950	1980	2020	2200
4.36	Minimum distance between centers of rotation	b13 (mm)	555	555	555	715
Performance						
5.1	Travel speed, with/without load	km/h	19/19.5	19 / 19.5	19 / 19.5	19 / 19.5
5.2	Lifting speed, with/without load	m/s	0.63 / 0.69	0.63 / 0.69	0.63 / 0.69	0.63 / 0.66
5.3	Lowering speed, with/without load	m/s	0.52 / 0.50	0.52 / 0.50	0.52 / 0.50	0.50 / 0.50
5.5	Rated drawbar pull, with/without load	N	11900/11500	11700/11500	11400/11500	18100/17600
5.7	Gradeability, with/without load	%	32/54	29/49	25/43	36/60
5.9	Acceleration time (10 metres) with/without load	s	-	-	-	-
5.10	Service brakes (mechanical/hydraulic/electric/pneumatic)		Hydraulic	Hydraulic	Hydraulic	Hydraulic
I.C. Engine						
7.1	Manufacturer / Type		S4Q2	S4Q2	S4Q2	S4S
7.2	Rated output to ISO 1585	kW	30	30	30	38.1
7.3	Rated speed to DIN 70 020	rpm	2500	2500	2500	2250
7.4	Number of cylinders / cubic capacity	/cm³	4 / 2505	4 / 2505	4 / 2505	4 / 3331
7.5	Fuel consumption according to VDI 60 cycle	l/h / kg/h	2.30 / -	2.35 / -	2.35 / -	2.55 / -
Miscellaneous						
8.1	Type of drive control		Powershift/1	Powershift/1	Powershift/1	Powershift/1
8.2	Operating pressure for attachments	bar	180	180	180	180
8.3	Oil flow for attachments	l/min	62	62	62	75
8.4	Noise level, value at operator's ear (EN 12053)	dB(A)	80	80	80	78
8.5	Towing coupling design / DIN type, ref.		Pin	Pin	Pin	Pin



	Cat Lift Trucks	Cat Lift Trucks	Cat Lift Trucks	Cat Lift Trucks	Cat Lift Trucks	Cat Lift Trucks	Cat Lift Trucks	Cat Lift Trucks	Cat Lift Trucks	Cat Lift Trucks
	DP25NT	DP30NT	DP35NT	GP15NT	GP18NT	GP20CNT	GP20NT	GP25NT	GP30NT	GP35NT
	Diesel	Diesel	Diesel	Petrol/LPG	Petrol/LPG	Petrol/LPG	Petrol/LPG	Petrol/LPG	Petrol/LPG	Petrol/LPG
	Seated	Seated	Seated	Seated	Seated	Seated	Seated	Seated	Seated	Seated
	2500	3000	3500	1500	1750	2000	2000	2500	3000	3500
	500	500	500	500	500	500	500	500	500	500
	460	495	495	400	400	415	455	460	495	495
	1600	1700	1700	1400	1400	1400	1600	1600	1700	1700
	3680	4350	4740	2490	2690	3010	3300	3600	4240	4630
	5430/750	6510/840	7220/1020	3510/460	3870/540	4320/660	4600/670	5390/680	6470/770	7180/950
	1430/2250	1750/2600	1670/3070	1040/1430	990/1670	1010/1970	1410/1860	1390/2180	1710/2530	1630/3000
	L / L	L / L	L / L	L / L	L / L	SE / SE	L / L	L / L	L / L	L / L
	7.00-12-12PR	28x9-15-12PR	250-15-12PR	6.50-10-10PR	6.50-10-10PR	6.50-10-10	7.00-12-12PR	7.00-12-12PR	28x9-15-12PR	250-15-12PR
	6.00-9-10PR	6.50-10-10PR	6.50-10-12PR	5.00-8-8PR	5.00-8-8 PR	5.00-8-8	6.00-9-8PR	6.00-9-10PR	6.50-10-10PR	6.50-10-12PR
	2x / 2	2x / 2	2x / 2	2x / 2	2x / 2	2x / 2	2x / 2	2x / 2	2x / 2	2x / 2
	960	1060	1060	890	890	890	960	960	1060	1060
	980	980	980	900	900	900	980	980	980	980
	6 / 12	6 / 12	6 / 12	6 / 12	6 / 12	6 / 12	6 / 12	6 / 12	6 / 12	6 / 12
	1995	2015	2130	1990	1990	1990	1990	1990	2015	2130
	140	145	145	115	115	115	140	140	135	150
	3000	3000	3000	3000	3000	3000	3000	3000	3000	3000
	4055	4055	4055	4055	4055	4055	4055	4055	4055	4055
	2074	2093	2103	2065	2065	2065	2074	2074	2093	2103
	938	988	988	929	929	929	938	938	988	988
	310	330	340	290	290	290	310	310	330	340
	3480	3805	3865	3180	3220	3275	3405	3480	3805	3865
	2560	2735	2795	2260	2300	2355	2485	2560	2735	2795
	1150 / 1640	1275/1710	1290/1710	1065 / -	1065 / -	1065 / -	1150 / 1640	1150 / 1640	1275 / 1690	1290 / 1690
	45x100x920	45x122x1070	45x122x1070	35x100x920	35x100x920	45x100x920	45x100x920	45x100x920	45x122x1070	45x122x1070
	2A	3A	3A	2A	2A	2A	2A	2A	3A	3A
	1000	1000	1000	920	920	920	1000	1000	1000	1000
	115	135	150	110	110	110	115	115	135	150
	160	190	200	150	150	150	160	160	190	200
	3885	4070	4130	3550	3580	3635	3855	3885	4070	4130
	3685	3870	3930	3350	3380	3435	3655	3685	3870	3930
	2230	2380	2440	1950	1980	2020	2200	2230	2380	2440
	715	780	780	555	555	555	715	715	780	780
	19 / 19.5	19 / 19.5	19 / 19.5	19 / 19.5	19 / 19.5	19 / 19.5	19 / 19.5	19 / 19.5	19 / 19.5	19 / 19.5
	0.63 / 0.66	0.50 / 0.53	0.42 / 0.45	0.49 / 0.56	0.49 / 0.56	0.57 / 0.65	0.52 / 0.60	0.52 / 0.60	0.46 / 0.53	0.39 / 0.45
	0.50 / 0.50	0.53 / 0.50	0.42 / 0.40	0.52 / 0.50	0.52 / 0.50	0.52 / 0.50	0.50 / 0.50	0.50 / 0.50	0.53 / 0.50	0.42 / 0.40
	17900/17500	17500/17500	16700/16600	10400/10200	10300/10100	13900/14000	14400/14100	14100/14000	16100/16200	15300/15400
	30/54	25/44	21/37	24/44	24/40	29/52	28/47	24/42	23/41	19/35
	-	-	-	-	-	-	-	-	-	-
	Hydraulic	Hydraulic	Hydraulic	Hydraulic	Hydraulic	Hydraulic	Hydraulic	Hydraulic	Hydraulic	Hydraulic
	S4S	S4S	S4S	GCT GK15	GCT GK15	GCT GK21	GCT GK21	GCT GK21	GCT GK25	GCT GK25
	38.1	38.1	38.1	26	26	34	34	34	40	40
	2250	2250	2250	2450	2450	2200	2200	2200	2200	2200
	4 / 3331	4 / 3331	4 / 3331	4 / 1486	4 / 1486	4 / 2065	4 / 2065	4 / 2065	4 / 2488	4 / 2488
	3.20 / -	3.40 / -	3.50 / -	- / 3.00	- / 3.00	- / 3.50	- / 3.60	- / 3.70	- / 3.90	- / 4.20
	Powershift/1	Powershift/1	Powershift/1	Powershift/1	Powershift/1	Powershift/1	Powershift/1	Powershift/1	Powershift/1	Powershift/1
	180	180	180	180	180	180	180	180	180	180
	75	73	73	60	60	60	68	68	73	73
	78	78	78	79	79	79	79	79	79	79
	Pin	Pin	Pin	Pin	Pin	Pin	Pin	Pin	Pin	Pin





$Ast = Wa + x + l6 + a$
 Ast = Working aisle width with load
 a = Safety clearance (200 mm)
 $l6$ = Pallet length (800 or 1000 mm)
 $b12$ = Pallet width (1200 mm)

Lower Cost of Ownership

- Design improvements have increased the service interval to 500* hours, thus reducing the total cost of ownership.
- Various air-intake options like double element cyclone air cleaner with dust warning indicator increase engine service life in dusty applications.
- For operation in demanding applications, cooling options such as heavy duty radiator and dust screen significantly reduce the risk of overheating.
- Hydraulic pump is directly driven by the engine to reduce the number of wearable items.

Unmatched Productivity

- New state-of-the-art Petrol engine with improved performance, lower noise levels and emission and more efficient fuel consumption.
- Special power train layout to lower the center of gravity, increasing truck stability and residual lifting capacities.
- Increased back tilt angle to reduce the risk of loose loads sliding off the forks.

Safety and Ergonomics

- Adjustable steering column with memory position for comfortable operating positions and easy on/off access.
- Fully hydrostatic steering and small diameter steering wheel for easy maneuvering with reduced effort for the operator.
- Automotive style layout of brake and accelerator pedals. The drum brake system is self-energizing and self-adjusting, for low pedal effort and easy operation.
- Double action park brake to avoid unsafe situations as a result of unintended brake release.
- Comfortable and durable full-suspension vinyl seat, with adjustable position, back-inclination and weight adjustment. Standard seat is fitted with hip restraints, a seat belt and seat switch to prevent truck operation when the operator is not seated.
- Design of mast, fork carriage and overhead guard provides excellent all round visibility, in all loading and unloading operations.
- Fully floating mounted power train results in very low noise and vibration levels.

Options

- Solid pneumatic tyres
- Pneumatic Dual Drive Tyres
- Integrated and hook-on side shifter
- Indicator for air filter, brake fluid and coolant levels
- Dust proof kit

* conditions apply

DP/GP15NT-DP/GP18NT				DP/GP15NT		DP/GP18NT	
Mast Type	h3	h1	h4	h2/h5	Q @ c=500mm	h2/h5	Q @ c=500mm
	mm	mm	mm	mm	kg	kg	kg
Simplex	3000	1990	4055	80	1500	80	1750
	3300	2140	4355	80	1500	80	1750
	3500	2240	4555	80	1500	80	1750
	3700	2340	4755	80	1500	80	1750
	4000	2540	5055	80	1500	80	1750
	4500	2790	5555	80	1425 *	80	1650 *
	5000	3050	6055	80	1325 *	80	1600 *
	5500	3300	6555	80	1250 *	80	1525 *
Duplex	3000	1995	4055	940	1500	940	1750
	3290	2140	4350	1085	1500	1085	1750
	3510	2260	4570	1205	1500	1205	1750
	4030	2585	5085	1530	1500	1530	1750
Triplex	3700	1790	4755	735	1500	735	1750
	4000	1890	5055	835	1450	835	1725
	4300	1990	5355	935	1425	935	1675 *
	4700	2140	5755	1085	1350 *	1085	1625 *
	5000	2240	6055	1185	1300 *	1185	1575 *
	5500	2430	6555	1375	1250 *	1375	1500 *
	6000	2610	7055	1555	1175 *	1555	1325 *
	6500	2850	7555	1795	950 *	1795	950 *
	7000	3050	8055	1995	650 *	1995	650 *

* Requires dual front wheels

DP/GP20NT-DP/GP25NT				DP/GP20NT		DP/GP25NT	
Mast Type	h3	h1	h4	h2/h5	Q @ c=500mm	h2/h5	Q @ c=500mm
	mm	mm	mm	mm	kg	kg	kg
Simplex	3000	1995	4055	100	2000	100	2500
	3300	2145	4355	100	2000	100	2500
	3500	2245	4555	100	2000	100	2500
	3700	2345	4755	100	2000	100	2500
	4000	2545	5055	100	2000	100	2500
	4500	2795	5555	100	1950	100	2450 *
	5000	3065	6055	100	1900 *	100	2350 *
	5500	3315	6555	100	1850 *	100	2250 *
Duplex	3000	1995	4055	940	2000	940	2500
	3300	2145	4350	1090	2000	1090	2500
	3530	2265	4585	1210	2000	1210	2500
	4020	2590	5075	1535	2000	1535	2500
Triplex	3700	1795	4755	740	2000	740	2500
	4000	1895	5055	840	2000	840	2500
	4300	1995	5355	940	1950	940	2450
	4700	2145	5755	1090	1900	1090	2350 *
	5000	2245	6055	1190	1850 *	1190	2300 *
	5500	2415	6555	1360	1800 *	1360	2200 *
	6000	2585	7055	1530	1750 *	1530	2100 *
	6500	2795	7555	1740	1650 *	1740	1750 *
7000	3065	8055	2010	1250 *	2010	1250 *	

* Requires dual front wheels

DP/GP20CNT					
Mast Type	h3	h1	h4	h2/h5	Q @ c=500mm
	mm	mm	mm	mm	kg
Simplex	3000	1990	4055	80	2000
	3300	2140	4355	80	2000
	3500	2240	4555	80	2000
	3700	2340	4755	80	2000
	4000	2540	5055	80	2000
	4500	2790	5555	80	1950
	5000	3050	6055	80	1400
Duplex	3000	1995	4055	940	2000
	3290	2140	4350	1085	2000
	3510	2260	4570	1205	2000
	4030	2585	5085	1530	2000
Triplex	3700	1790	4755	735	2000
	4000	1890	5055	835	2000
	4300	1990	5355	935	1950
	4700	2140	5755	1085	1900
	5000	2240	6055	1185	1325

Mast Performance and Capacity

h1 Height with mast lowered

h2 Standard free lift

h3 Lift height

h4 Height with mast raised

h5 Full free lift

Q Lifting capacity, rated load

c Load centre (distance)

* Capacities shown require truck equipped with dual tyres. Consult your dealer for the maximum back tilt allowed, to obtain the capacities specified.

Cat® Lift Trucks.

Your partner in materials handling.

DP/GP30NT					
Mast Type	h3	h1	h4	h2/h5	Q @ c=500mm kg
	mm	mm	mm	mm	
Simplex	3000	2015	4055	95	3000
	3300	2165	4355	95	3000
	3500	2265	4555	95	3000
	3700	2365	4755	95	3000
	4000	2565	5055	95	3000
	4500	2815	5555	95	2950
	5000	3115	6055	95	2850
	5500	3365	6555	95	2750
	6000	3615	7055	95	2400 *
Duplex	3000	2045	4055	990	3000
	3250	2165	4305	1110	3000
	3490	2285	4545	1230	3000
	4010	2610	5065	1555	3000
Triplex	3700	1815	4755	760	3000
	4000	1915	5055	860	3000
	4300	2015	5355	960	3000
	4700	2165	5755	1110	2900
	5000	2265	6055	1210	2800
	5500	2435	6555	1380	2750
	6000	2605	7055	1550	2400 *
	6500	2815	7555	1760	1750 *
	7000	3115	8055	2060	1250 *

* Requires dual front wheels

DP/GP35NT					
Mast Type	h3	h1	h4	h2/h5	Q @ c=500mm kg
	mm	mm	mm	mm	
Simplex	3000	2130	4055	95	3500
	3300	2280	4355	95	3500
	3500	2380	4555	95	3500
	3700	2480	4755	95	3500
	4000	2680	5055	95	3500
	4500	2930	5555	95	3500
	5000	3230	6055	95	3400 *
	5500	3480	6555	95	3200 *
	6000	3730	7055	95	2400 *
	Duplex	3010	2180	4065	1125
3300		2300	4355	1245	3500
3500		2445	4555	1390	3500
4000		2765	5055	1710	3500
Triplex	3700	1930	4755	875	3500
	4000	2030	5055	975	3500
	4300	2130	5355	1075	3500
	4700	2280	5755	1225	3450
	5000	2380	6055	1325	3350
	5500	2550	6555	1495	3200 *
	6000	2720	7055	1665	2400 *
	6500	2930	7555	1875	1750 *
	7000	3230	8055	2175	1250 *

* Requires dual front wheels

Mast Performance and Capacity

- h1 Height with mast lowered
- h2 Standard free lift
- h3 Lift height
- h4 Height with mast raised
- h5 Full free lift
- Q Lifting capacity, rated load
- c Load centre (distance)

* Capacities shown require truck equipped with dual tyres. Consult your dealer for the maximum back tilt allowed, to obtain the capacities specified.

Cat Lift Trucks is renowned for its worldwide distribution network, but you will always find an experienced and dedicated team of professionals close to you. Individuals committed to helping you maximise profits. With Cat Lift Trucks, your investment is in safe hands.

info@catliftruck.com
www.catliftruck.com

CEC1875AME-D(01/18)ok
 ©2018, MCFE. All rights reserved.
 CAT, CATERPILLAR, BUILT FOR IT, their respective logos, 'Caterpillar Yellow' and the 'Power Edge' trade dress, as well as corporate and product identity used herein, are trademarks of Caterpillar and may not be used without permission.
 Printed in The Netherlands

NOTE: Performance specifications may vary depending on standard manufacturing tolerances, vehicle condition, types of tyres, floor or surface conditions, applications, or operating environment. Trucks may be shown with non-standard options. Specific performance requirements and locally available configurations should be discussed with your Cat lift trucks Dealer. Cat Lift Trucks follows a policy of continual product improvement. For this reason, some materials, options and specifications could change without notice.

