



TECHNICAL SPECIFICATIONS

Pneumatic Forklift Trucks

G15S/G18S/20SC-5

G20E / G25E / G30E-5

G20P / G25P / G30P / G33P-5 & G35C-5

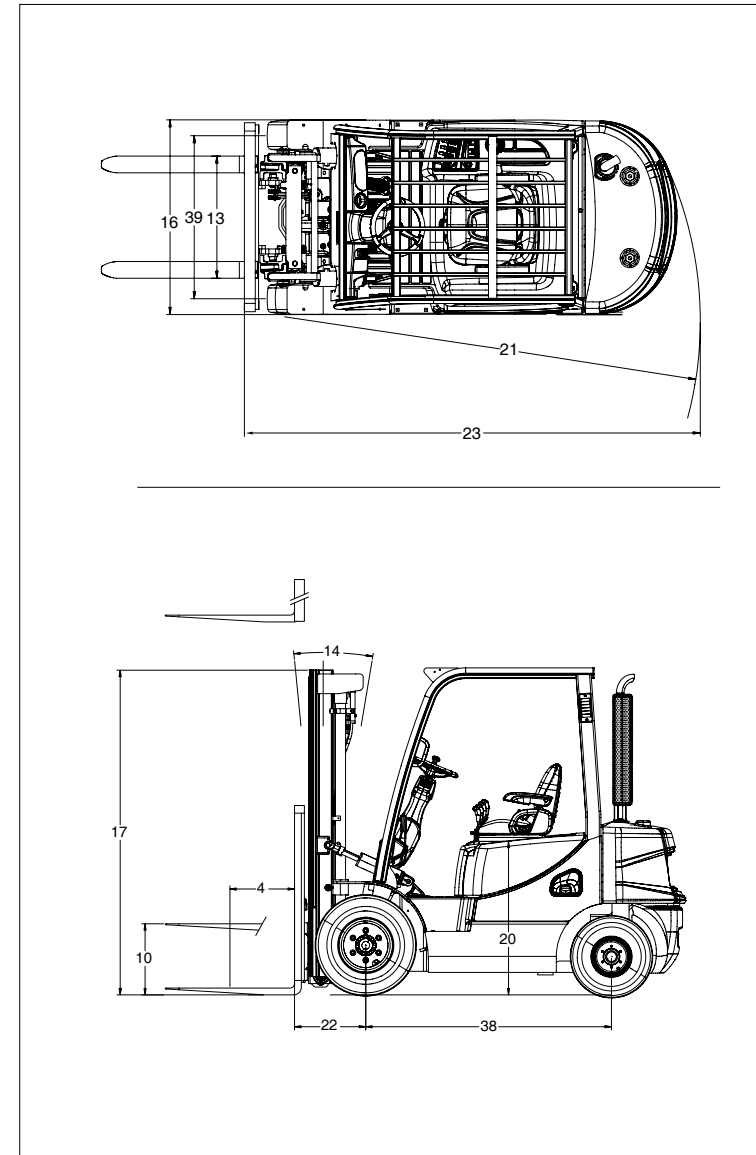
G20P / G25P / G30P / G33P-5 & G35C-5 PLUS

3,000lb to 7,000lb Capacity

PRO5
SERIES



DIMENSIONAL DRAWINGS



1	DOOSAN	DOOSAN	DOOSAN	DOOSAN
2	G25P-5 PLUS	G30P-5 PLUS	G33P-5 PLUS	G35C-5 PLUS
3	5,000 (2,500)	6,000 (3,000)	6,500 (3,250)	7,000 (3,500)
4	24 (500)	24 (500)	24 (500)	24 (500)
5	LP	LP	LP	LP
6	driver seated	driver seated	driver seated	driver seated
7	P	P	P	P
8	X 2 / 2	X 2 / 2	X 2 / 2	X 2 / 2
9	127.2 (3,230)	127.2 (3,230)	127.2 (3,230)	118.1 (3,000)
10	6 (152)	6 (152)	6 (152)	6 (152)
12	II	III	III	III
13	41.3x3.9x1.6	41.3x4.9x1.8	41.3x4.9x1.8	41.3x4.9x1.8
	(1,050x100x40)	(1,050x125x45)	(1,050x125x45)	(1,050x125x45)
	10.8 / 40.7	11.3 / 41.1	11.3 / 41.1	11.3 / 41.1
	(275x1,035)	(286x1,044)	(286x1,044)	(286x1,044)
14	6 / 10	6 / 10	6 / 10	6 / 10
15	102.2 (2,595)	106.3 (2,700)	107.5 (2,730)	108.9 (2,765)
16	46.1 (1,170)	47.1 (1,197)	47.1 (1,197)	47.1 (1,197)
	64.0(1,625)	64.0(1,625)	64.0(1,625)	64.0(1,625)
17	85.6 (2,175)	85.2 (2,165)	85.2 (2,165)	85.2 (2,165)
18	176.8 (4,490)	176.8 (4,490)	176.8 (4,490)	167.7 (4,260)
19	86.0 (2,183)	86.0 (2,183)	86.0 (2,183)	86.0 (2,183)
20	40.4 (1,026)	40.4 (1,026)	40.4 (1,026)	40.4 (1,026)
21	87.4 (2,265)	93.1 (2,365)	94.3 (2,395)	95.3 (2,420)
22	18.9 (480)	19.1 (485)	19.1 (485)	19.5 (495)
23	106.3 (2,745)	112.2 (2,850)	113.4 (2,880)	114.8 (2,915)
24	11.8 / 12.4	11.2 / 11.8	11.2 / 11.8	11.5 / 12.1
	(19 / 20)	(18 / 19)	(18 / 19)	(18.5 / 19.5)
25	102.3 / 118.1	100.4 / 118.1	104.3 / 118.1	102.3 / 118.1
	(520 / 600)	(510 / 600)	(530 / 600)	(520 / 600)
26	100.4 / 90.6	100.4 / 90.6	100.4 / 90.6	100.4 / 90.6
	(510 / 460)	(510 / 460)	(510 / 460)	(510 / 460)
28	3,968.3 (1,800)	4,166.7 (1,890)	4,144.7 (1,880)	3,990.4 (1,810)
30	29.0	26.5	25.0	22.5
32	8,686.2 (3,940)	9,656.2 (4,380)	10,053.1 (4,560)	10,471.9 (4,750)
33	12,500.2 / 1,697.6	13,911.2 / 2,314.5	15,189.8 / 2,028.3	16,093.7 / 2,094.4
	(5,670 / 770)	(6,540 / 840)	(6,890 / 920)	(7,300 / 950)
34	3,659.7 / 5,026.6	3,968.3 / 6,128.8	3,880.1 / 6,172.9	3,858.1 / 6,613.9
	(1,660 / 2,280)	(1,800 / 2,580)	(1,760 / 2,800)	(1,750 / 3,000)
35	2 / 2	2 / 2	2 / 2	2 / 2
36	7.00x15-12	28x9x15-12	28x9x15-12	250x15-18
37	6.50x10-10	6.50x10-10	6.50x10-12	6.50x10-12
38	64 (1,625)	66.9 (1,700)	66.9 (1,700)	66.9 (1,700)
39	38.4 / 39.4	38.7 / 39.4	38.7 / 39.4	40.4 / 39.4
	(975 / 1,000)	(982 / 1,000)	(982 / 1,000)	(1,026 / 1,000)
40	4.5 (115)	4.1 (105)	4.1 (105)	4.1 (105)
41	5.6 (143)	5.6 (143)	5.6 (143)	5.6 (143)
42	Foot / Hyd	Foot / Hyd	Foot / Hyd	Foot / Hyd
43	Hand / Mech	Hand / Mech	Hand / Mech	Hand / Mech
45	12 / 65	12 / 65	12 / 65	12 / 65
49	G430FE	G430FE	G430FE	G430FE
	66.3 / 2,600	66.3 / 2,600	66.3 / 2,600	66.3 / 2,600
50	49.5 / 2,600	49.5 / 2,600	49.5 / 2,600	49.5 / 2,600
51	149.7 / 1,600	149.7 / 1,600	149.7 / 1,600	149.7 / 1,600
	20.7 / 1,600	20.7 / 1,600	20.7 / 1,600	20.7 / 1,600
52	4 / 181 (2,967)	4 / 181 (2,967)	4 / 181 (2,967)	4 / 181 (2,967)
55	powershift	powershift	powershift	powershift
	1 / 1	1 / 1	1 / 1	1 / 1
57	2,827.5 (195)	3,132 (216)	3,132 (216)	3,132 (216)
	2,262 (156)	2,262 (156)	2,262 (156)	2,262 (156)

MAST SPECIFICATIONS and RATED CAPACITIES

G15S-5

Mast type	Maximum Fork Height		Maximum Lowered Height		Fully Extended Height With Load Backrest		Free Lift With Load Backrest		Rated Load Capacities			
									D/G15S-5		Load Capacities	
									Tilt Angle		LC 500mm	LC 24in
deg	deg	kg	lb									
STD	mm	in	mm	in	mm	in	mm	in	deg	deg	kg	lb
	3000	118	2035	80	4055	160	135	5	6	8	1500	3000
	3300	130	2185	86	4355	171	135	5	6	8	1500	3000
	3500	138	2285	90	4555	179	135	5	6	8	1500	3000
	3700	146	2385	94	4755	187	135	5	6	8	1500	3000
	4000	157	2585	102	5055	199	135	5	6	8	1500	3000
FF	2700	106	1885	74	3755	148	880	35	6	8	1500	3000
	3000	118	2035	80	4055	160	1030	41	6	8	1500	3000
	3300	130	2185	86	4355	171	1180	46	6	8	1500	3000
	4000	157	2585	102	5055	199	910	36	6	8	1500	3000
FFT	4500	177	2080	82	5555	219	1075	42	6	8	1475	2950
	4750	187	2165	85	5805	229	1160	46	6	8	1425	2850
	5000	197	2280	90	6055	238	1275	50	6	5	1400	2800
	5500	217	2515	99	6555	258	1510	59	6	5	1275	2550
	6000	236	2680	106	7055	278	1675	66	6	5	975	1950

G18S-5

Mast type	Maximum Fork Height		Maximum Lowered Height		Fully Extended Height With Load Backrest		Free Lift With Load Backrest		Rated Load Capacities			
									D/G18S-5		Load Capacities	
									Tilt Angle		LC 500mm	LC 24in
deg	deg	kg	lb									
STD	mm	in	mm	in	mm	in	mm	in	deg	deg	kg	lb
	3000	118	2035	80	4055	160	135	5	6	8	1750	3500
	3300	130	2185	86	4355	171	135	5	6	8	1750	3500
	3500	138	2285	90	4555	179	135	5	6	8	1750	3500
	3700	146	2385	94	4755	187	135	5	6	8	1750	3500
	4000	157	2585	102	5055	199	135	5	6	8	1750	3500
FF	2700	106	1885	74	3755	148	880	35	6	8	1750	3500
	3000	118	2035	80	4055	160	1030	41	6	8	1750	3500
	3300	130	2185	86	4355	171	1180	46	6	8	1750	3500
	4000	157	2585	102	5055	199	910	36	6	8	1750	3500
FFT	4500	177	2080	82	5555	219	1075	42	6	8	1750	3500
	4750	187	2165	85	5805	229	1160	46	6	8	1500	3000
	5000	197	2280	90	6055	238	1275	50	6	5	1575	3150
	5500	217	2515	99	6555	258	1510	59	6	5	1200	2400
	6000	236	2680	106	7055	278	1675	66	6	5	900	1800

G20SC-5

Mast type	Maximum Fork Height		Maximum Lowered Height		Fully Extended Height With Load Backrest		Free Lift With Load Backrest		Rated Load Capacities			
									D/G20SC-5		Load Capacities	
									Tilt Angle		LC 500mm	LC 24in
deg	deg	kg	lb									
STD	mm	in	mm	in	mm	in	mm	in	deg	deg	kg	lb
	3000	118	2035	80	4060	160	140	6	6	8	2000	4000
	3300	130	2185	86	4360	172	140	6	6	8	2000	4000
	3500	138	2285	90	4560	180	140	6	6	8	2000	4000
	3700	146	2385	94	4760	187	140	6	6	8	2000	4000
	4000	157	2585	102	5060	199	140	6	6	8	2000	4000
FF	2700	106	1885	74	3760	148	880	35	6	8	2000	4000
	3000	118	2035	80	4060	160	1030	41	6	8	2000	4000
	3300	130	2185	86	4360	172	1180	46	6	8	2000	4000
	4000	157	2585	102	5060	199	910	36	6	8	2000	4000
FFT	4500	177	2080	82	5560	219	1075	42	6	8	1700	3400
	4750	187	2165	85	5810	229	1160	46	6	5	1750	3500
	5000	197	2280	90	6060	239	1275	50	6	5	1525	3050
	5500	217	2515	99	6560	258	1510	59	6	5	1150	2300
	6000	236	2680	106	7060	278	1675	66	6	5	850	1700



PRO5 SERIES



G15S / G18S-5 & G20SC-5
3,000lb(1,500kg)
3,500lb(1,750kg) 4,000lb(2,000kg)
LP Pneumatic Tire



G20E / G25E / G30E-5
G20P / G25P / G30P / G33P-5 & G35C-5
G20P / G25P / G30P / G33P-5 & G35C-5 PLUS
4,000lb(2,000kg) 5,000lb(2,500kg)
6,000lb(3,000kg) 6,500lb(3,250kg)
7,000lb(3,500kg)
LP Pneumatic Tire



Doosan Industrial Vehicle America Corp.
2475 Mill Center Parkway Suite 400
Buford, GA 30518

P: 678-745-2200 F: 678-745-2250
www.doosanlift.com

AUTHORIZED DEALER

Product and specifications are subject to improvement and change without notice.