

# Internal Combustion Pneumatic Tire Lift Trucks

Capacity: 6.0 - 7.0 ton







## DP60-70 Series

### NUMEROUS APPLICATIONS

Tough to beat under all working conditions, however hot or harsh, dry or dusty, Cat® lift trucks are suitable for a wide range of applications, including:

- Lumberyards and saw mills**
- Paper and pulp**
- Hardwood and furniture production**
- Steel/aluminium industries and foundries**
- Concrete, brick and block industries**
- Stone, clay and glass**
- Stevedoring, roll-on/roll-off applications**
- Multi-pallet applications**
- General load handling**
- Short-term rental**

Model	Fuel Type	Capacity (kg) @ 600mm LC	Engine Displacement (l)
DP60	Diesel	6000	4.996
DP70	Diesel	7000	4.996



The 6.0-7.0 ton capacity diesel-engine powered lift trucks are designed to tackle the toughest workloads in the harshest conditions, while providing high performance and durability for improved productivity.





## Contoured Seat And Tilt-Steering

The operator compartment includes a full-suspension, contoured seat. Fingertip hydraulic controls are within easy reach. The steering column allows for smooth positioning of the wheel with a 12° tilt range accommodating most operator preferences and facilitating entry and exit.

## Efficient, Compact Design

The compact dimensions enhance the operator's ability to enter and exit more confined areas. A low, wide stance and wide drive axle design improve lateral stability in rough conditions and at high lift heights.

## Transmission Interlock System

The DP60 and DP70 lift trucks now come with an added safety feature - Transmission Interlock System. When the operator leaves the normal seated operating position, the transmission is disengaged and the lift truck is immobilized, even when the directional level is shifted.



## Effortless Hydrostatic Steering

Hydrostatic power steering reduces operator effort and enhances productivity. The system includes self-aligning kingpins supported by tapered roller bearings and adjustment-free, fixed-length tie rods to help reduce maintenance requirements.



## Optional Low-Vibration Cabs

Operators experience all-around good visibility as well as low vibration and noise with these optional cabs, designed specifically for Cat lift trucks. Features include sliding glass windows, mechanical latches and windshield wipers in front, back and on top.

## Turbo-Charged In-Line, 6-Cylinder Diesel Engine

A durable 94-horsepower engine provides high torque, low noise and reliable performance. It features 305 cubic inches of displacement and cold weather starting capabilities of -4°F.

## Two-Speed, Automatic-Shift Transmission

The automatic transmission and high-stall torque converter offer precision inching and smooth acceleration. An auto-shift feature automatically shifts gears up or down based on travel speed to simplify operation and enhance productivity. As a result, the lift truck always starts out in the first gear—reducing premature wear on components.

## Trunnion-Mounted Drive Axle

A heavy-duty steer axle articulates up to 6° for smoother operation and stability. The large-diameter steer cylinder nests within the steer axle, helping to protect it from debris.

Full-floating axle shafts and a gear-type planetary final drive, supported by tapered roller bearings, minimize stress common in rough terrain applications. Final torque multiplication occurs at the wheels instead of the differential, so torque stress on the shafts, differential and drive axle is reduced, thereby increasing axle life.

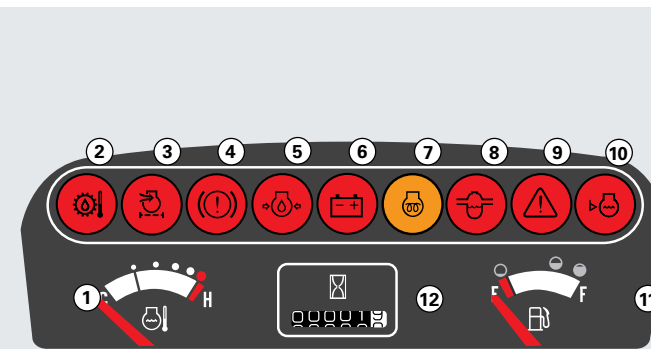
## Vacuum-Boosted Brakes

The self-energizing, self-adjusting, hydraulic service brakes provide smooth, effective braking with nominal foot pedal pressure. The parking brake employs a separate shoe assembly on the input side of the drive axle for added dependability.

## Masts Enhance Productivity

Due to wide spaced channels, compact lift cylinders and strategically positioned cross members, sturdy masts enhance visibility and provide fast lift and lowering speeds to increase productivity. Four carriages are available to meet your needs, including a sideshifting, hydraulic fork-positioning carriage.

Both Simplex and Triplex masts are available in a variety of heights, with full-rated capacities to 197-inch lift height. Masts are fabricated from high-strength steel and include rollers to absorb both lateral and longitudinal forces.



## Standard Indicator Package

A standard indicator package includes these items:

- 1 Engine coolant temperature gauge
- 2 Transmission oil temperature warning light
- 3 Air cleaner service warning light (option)
- 4 Brake fluid level warning light
- 5 Engine oil pressure warning light
- 6 Alternator charging light
- 7 Cold start indicator
- 8 Fuel filter service warning light
- 9 Check engine warning light
- 10 Coolant level warning light (option)
- 11 Fuel gauge
- 12 Hour meter

# Customer Service



Cat Lift Trucks is committed to providing industry-leading customer service, delivered by experienced and reliable material handling dealers. Cat Lift Trucks puts its customer's needs first, with one of the most comprehensive customer support programs in the business.

## Dealers You can Depend On

Cat® lift trucks dealers are unsurpassed, delivering superior customer service that sets us apart from the competition - before, during and after the sale.

Our dealers make available leading support programs with every new Cat lift truck you purchase, including:

- Genuine Cat lift truck OEM parts
- Planned Maintenance
- Rental fleet availability
- Convenient dealer branch locations

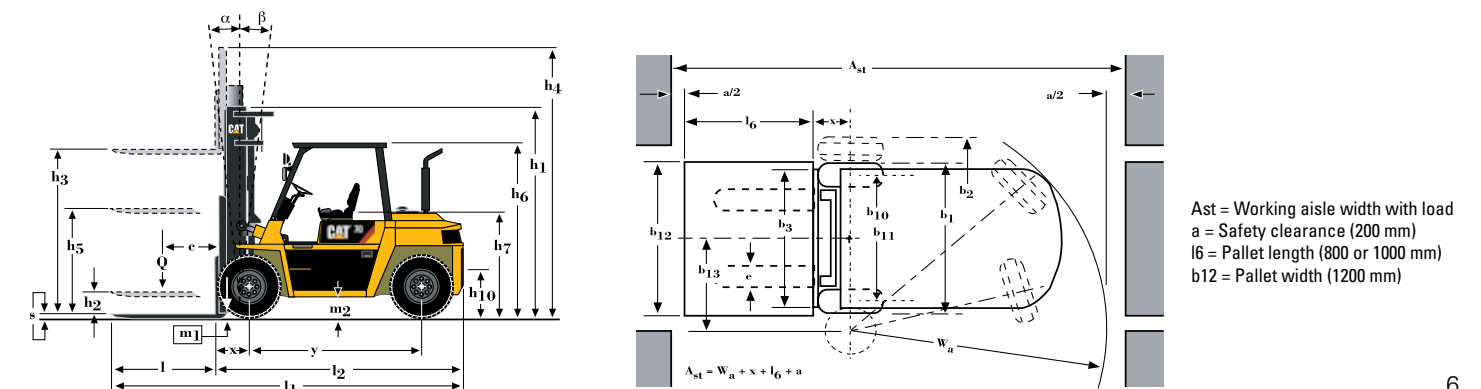
## Planned Maintenance

Proper maintenance of your truck helps assure top performance over the long haul and helps extend truck longevity. That's why every Cat lift truck is backed by experienced and reliable dealers who make sure your truck is properly maintained.

With Cat lift truck planned maintenance, you won't have to worry about scheduling maintenance or unexpected downtime. Regular planned maintenance calls are scheduled in advance to avoid interference with your operating schedules. Experienced Cat lift trucks service technicians will regularly perform all periodic maintenance including fluid and lubricant check for a predetermined rate. We'll even identify and fix potential problems before they become major difficulties.

# Specification

Characteristics		Cat Lift Truck	Cat Lift Truck
1.01	Manufacturer (abbreviation)		
1.02	Manufacturer's model designation	<b>DP60</b>	<b>DP70</b>
1.03	Power source: (battery, diesel, LP gas, petrol)	Diesel	Diesel
1.04	Operator type: pedestrian, (operator)-standing, -seated	Seated	Seated
1.05	Load capacity	Q (kg)	6.000
1.06	Load centre	c (mm)	600
1.07	Load distance	x (mm)	585
1.08	Wheelbase	y (mm)	2300
<b>Weight</b>			
2.01	Truck weight, without load / including battery (simplex mast, lowest lift height)	kg	8715
2.02	Axle loading with maximum load, front/rear (simplex mast, lowest lift height)	kg	13255 / 1460
2.03	Axle loading without load, front/rear (simplex mast, lowest lift height)	kg	4160 / 4555
<b>Wheels, Drive Train</b>			
3.01	Tyre type: V=solid, L=pneumatic, SE=solid pneumatic - front/rear	L / L	L / L
3.02	Tyre dimensions, front	8.25 x 15- 12PR	8.25 x 15- 12PR
3.03	Tyre dimensions, rear	8.25 x 15- 12PR	8.25 x 15- 12PR
3.04	Number of wheels, front/rear (x=driven)	4x / 2	4x / 2
3.05	Track width (centre of tyres), front	b10 (mm)	1650
3.06	Track width (centre of tyres), rear	b11 (mm)	1650
<b>Dimensions</b>			
4.01	Mast tilt, forwards/backwards	$\alpha/\beta$ °	6 / 12
4.02	Height with mast lowered	h1 (mm)	3075
4.03	Free lift	h2 (mm)	200
4.04	Lift height	h3 (mm)	4000
4.05	Overall height with mast raised	h4 (mm)	5280
4.06	Height to top of overhead guard	h6 (mm)	2420
4.07	Seat height	h7 (mm)	1320
4.08	Tow coupling height	h10 (mm)	485
4.09	Overall length	l1 (mm)	4810
4.10	Length to fork face (includes fork thickness)	l2 (mm)	3590
4.11	Overall width	b1/b2 (mm)	2175
4.12	Fork dimensions (thickness, width, length)	s / e / l (mm)	60 x 150 x 1220
4.13	Fork carriage to DIN 15 173 A/B/no	IV A/No	IV A/No
4.14	Fork carriage width	b3 (mm)	1780
4.15	Ground clearance under mast, with load	m1 (mm)	140
4.16	Ground clearance at centre of wheelbase, with load (forks lowered)	m2 (mm)	255
4.17	Working aisle width with 1000 x1200 mm pallets, crosswise	Ast (mm)	5095
4.18	Working aisle width with 800 x1200 mm pallets, crosswise	Ast (mm)	4895
4.19	Turning circle radius	Wa (mm)	3310
4.20	Minimum distance between centres of rotation	b13 (mm)	1260
<b>Performance</b>			
5.01	Travel speed, with/without load	km/h	23.0 / 27.5
5.02	Lifting speed, with/without load	m/s	0.44 / 0.47
5.03	Lowering speed, with/without load	m/s	0.55 / 0.55
5.04	Rated drawbar pull, with/without load	N	50000 / 23000
5.05	Gradeability, with/without load	%	27.0 / 25.0
5.06	Acceleration time (10 metres) with/without load	s	6.8 / 5.6
5.07	Service brakes (mechanical/hydraulic/electric/pneumatic)		Hydraulic
<b>Engine motors</b>			
6.01	Manufacturer / Type		S6S
6.02	Rated output B to ISO 1585	kW	70.0
6.03	Rated speed to DIN 70 020	rpm	2300
6.04	Number of cylinders / cubic capacity	cm3	6 / 4996
6.05	Fuel consumption according to VDI cycle	l/h / kg/h	-
<b>Miscellaneous</b>			
7.01	Type of drive control		Powershift / 2
7.02	Maximum operating pressure for attachments	bar	191
7.03	Oil flow for attachments	l/min	-
7.04	Noise level, mean value at operator's ear	dB(A)	-
7.05	Towing coupling design / DIN type, ref.		-







**Quality**

**Reliability**

**Customer Service**



## **Internal Combustion Pneumatic Tire Lift Trucks**

Capacity: 6.0 - 7.0 ton

[www.catlifttruck.com.sg](http://www.catlifttruck.com.sg)

Copyright © 2008 by MCFS. All rights reserved. CAT, CATERPILLAR, their respective logos, "Caterpillar Yellow" and the POWER EDGE trade dress, as well as corporate and product identity used herein, are trademarks of Caterpillar and may not be used without permission. All registered trademarks are the property of their respective owners. Some products may be shown with optional equipment. Printed in Singapore.

FCAT0065-03

04/10

**CAT**® Lift  
Trucks