

Engine Powered Forklift 1.5 - 3.0 ton

8FGCU



Engine Powered Forklift 1.5 - 1.75 ton

8FGCU

| Truck specifications | | | | | 8FGCU15 | 8FGCU18 |
|----------------------|-------------------------|---|---|-----------------|---------------|---------------|
| Identification | 1.1 | Manufacturer | | | TOYOTA | TOYOTA |
| | 1.2 | Model | | | 8FGCU15 | 8FGCU18 |
| | 1.3 | Drive | | | LPG | LPG |
| | 1.4 | Operator type | | | rider seated | rider seated |
| | 1.5 | Load capacity/rated load | Q | kg | 1500 [1350] | 1750 [1600] |
| | 1.6 | Load centre | c | mm | 500 [600] | 500 [600] |
| | 1.8 | Load distance, centre of drive axle to fork | x | mm | 400 | 400 |
| | 1.9 | Wheelbase | y | mm | 1225 | 1225 |
| | Weight | 2.1 | Service weight | | kg | 2670 |
| 2.2 | | Axle load, with load, front/rear | | kg | 3660/510 | 4100/610 |
| 2.3 | | Axle load, without load, front/rear | | kg | 1060/1610 | 990/1920 |
| Tyres | 3.1 | Tyre - pneumatic (P), pneumatic shaped cushion (SE), solid rubber (R) | | | R | R |
| | 3.2 | Tyre size, front | | | 18x6-12-1/8 | 18x6-12-1/8 |
| | 3.3 | Tyre size, rear | | | 14x4-1/2x8 | 14x4-1/2x8 |
| | 3.5 | Wheels, number front/rear (x=driven wheels) | | | 2x/2 | 2x/2 |
| | 3.6 | Track width, front | b ₁₀ | mm | 795 | 795 |
| | 3.7 | Track width, rear | b ₁₁ | mm | 820 | 820 |
| | Dimensions | 4.1 | Tilt of mast/fork carriage forward/backward | a/b | deg | 6/10 |
| 4.2 | | Height, mast lowered | h ₁ | mm | 1960 | 1960 |
| 4.3 | | Free lift | h ₂ | mm | 145 | 145 |
| 4.4 | | Lift | h ₃ | mm | 3000 | 3000 |
| | | Lift height | h ₂₃ | mm | 3035 | 3035 |
| 4.5 | | Height, mast extended | h ₄ | mm | 4255 | 4255 |
| 4.7 | | Height of overhead guard (cab) | h ₆ | mm | 2035 | 2035 |
| 4.8 | | Seat height | h ₇ | mm | 1010 | 1010 |
| 4.12 | | Coupling height | h ₁₀ | mm | 230 | 230 |
| 4.19 | | Overall length | l ₁ | mm | 3160 | 3220 |
| 4.20 | | Length to face of forks | l ₂ | mm | 2090 | 2150 |
| 4.21 | | Overall width | b ₁ | mm | 945 | 945 |
| 4.22 | | Fork dimensions | s/e/l | mm | 35/100/1070 | 35/100/1070 |
| 4.23 | | Fork carriage DIN 15 173, class/type A, B | | | IIA | IIA |
| 4.24 | | Fork-carriage width | b ₃ | mm | 810 | 810 |
| 4.31 | | Ground clearance, with load, below mast | m ₁ | mm | 65 | 70 |
| 4.32 | | Ground clearance, centre of wheelbase | m ₂ | mm | 105 | 105 |
| 4.33 | | Aisle width for pallets 1000 x 1200 crossways | A _{st} | mm | 3324 | 3384 |
| 4.34 | | Aisle width for pallets 800 x 1200 lengthways | A _{st} | mm | 3520 | 3580 |
| 4.35 | Turning radius | W _a | mm | 1720 | 1780 | |
| 4.36 | Internal turning radius | b ₁₃ | mm | 492,5 | 492,5 | |
| Performance data | 5.1 | Travel speed, with/without load | | km/h | 17,5/17,5 | 17,5/17,5 |
| | 5.2 | Lift speed, with/without load | | m/s | 0,56/0,58 | 0,56/0,58 |
| | 5.3 | Lowering speed, with/without load | | m/s | 0,50/0,55 | 0,50/0,55 |
| | 5.6 | Max. drawbar pull, with/without load | | N | 16500/6800 | 16500/6300 |
| | 5.7 | Gradeability, with load ¹⁾²⁾ | | % | 39 | 34 |
| | 5.8 | Max. gradeability, with/without load ²⁾ | | % | 43/20 | 40/18 |
| | 5.10 | Service brake | | | hydraulic | hydraulic |
| Combustion engine | 7.1 | Engine manufacturer/type | | | TOYOTA 4Y-ECS | TOYOTA 4Y-ECS |
| | 7.2 | Engine power acc. to ISO 1585 | | kW | 36 | 36 |
| | 7.3 | Rated speed | | 1/min | 2250 | 2250 |
| | 7.4 | No. of cylinders/displacement | | cm ³ | 4/2237 | 4/2237 |
| Others | 8.2 | Operating pressure for attachments | | bar | 160 | 160 |
| | 8.3 | Oil volume for attachments | | l/min | 60,6 | 60,6 |
| | 8.4 | Sound level at the driver's ear according to EN 12 053 | | dB(A) | 78 | 78 |

¹⁾ At 1,5 km/h.

²⁾ Computed values.

Performance data and dimensions are nominal and subject to tolerances.
 Specifications are subject to change without notice.
 Please obtain the latest specifications before contracting products.

Most dimensions and rated capacities

8FGCU

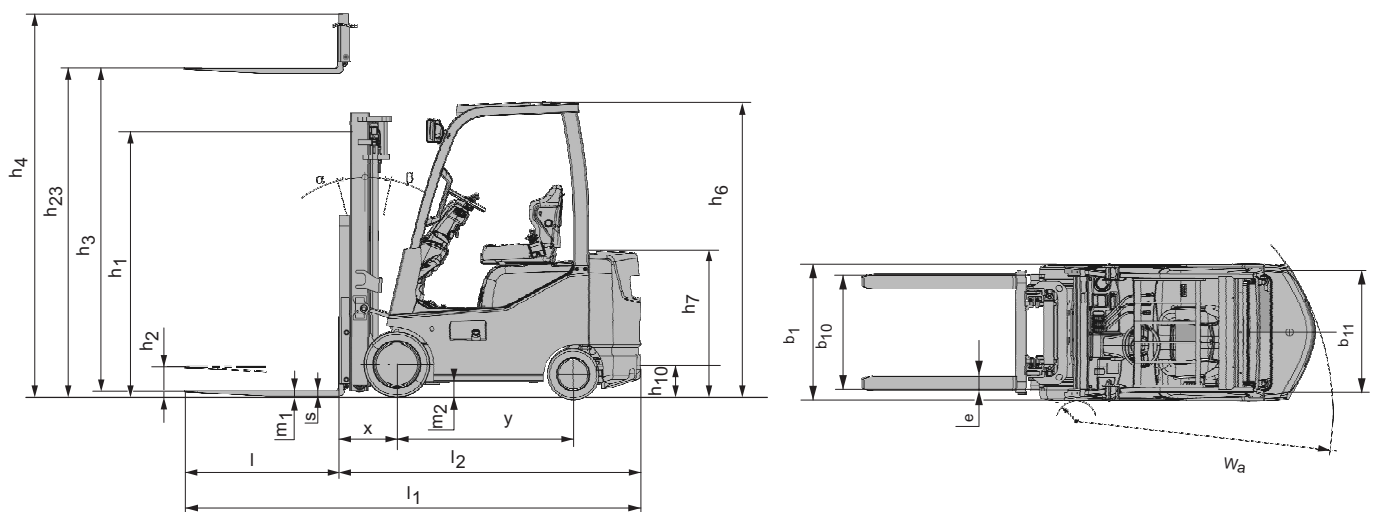
| Model | | V | | | | FV | | | FSV | | | | | | |
|------------|-------------------------------------|----------|------|------|------|------|------|------|------|------|------|------|------|------|------|
| 8FGCU15/18 | Lift height | h_{23} | 3035 | 3335 | 3535 | 3735 | 3035 | 3335 | 3535 | 4035 | 4335 | 4835 | 5035 | 5535 | 6035 |
| | Lift | h_3 | 3000 | 3300 | 3500 | 3700 | 3000 | 3300 | 3500 | 4000 | 4300 | 4800 | 5000 | 5500 | 6000 |
| | Height, mast lowered | h_1 | 1960 | 2115 | 2210 | 2370 | 1960 | 2110 | 2210 | 1860 | 1960 | 2110 | 2210 | 2370 | 2560 |
| | Height, mast extended ¹⁾ | h_4 | 3570 | 3870 | 4170 | 4270 | 3525 | 3825 | 4025 | 4565 | 4865 | 5320 | 5565 | 6065 | 6565 |
| | Height, mast extended ²⁾ | h_4 | 4255 | 4555 | 4755 | 4955 | 4255 | 4555 | 4755 | 5255 | 5555 | 6020 | 6255 | 6755 | 7255 |
| | Free lift, without load backrest | h_2 | 145 | 145 | 145 | 145 | 1435 | 1585 | 1685 | 1340 | 1440 | 1590 | 1690 | 1850 | 2040 |
| | Free lift, with load backrest | h_2 | 145 | 145 | 145 | 145 | 740 | 890 | 990 | 640 | 740 | 890 | 990 | 1150 | 1340 |

1) Without load backrest.

2) With load backrest; Height of standard load backrest is 1220 mm.

| Standard tread | | V | | | | FV | | | FSV | | | | | | |
|----------------|----------------------------|-----|------|------|------|------|------|------|------|------|------|------|------|------|-----|
| 8FGCU15 | Tilt range, forward | deg | 6 | 6 | 6 | 6 | 6 | 6 | 6 | 6 | 6 | 6 | 6 | 6 | 6 |
| | Tilt range, backward | deg | 10 | 10 | 10 | 10 | 10 | 10 | 10 | 5 | 5 | 5 | 5 | 5 | 5 |
| | Load capacity at 500 mm LC | kg | 1500 | 1500 | 1500 | 1500 | 1500 | 1500 | 1500 | 1500 | 1450 | 1400 | 1400 | 900 | 600 |
| | Load capacity at 600 mm LC | kg | 1350 | 1350 | 1350 | 1350 | 1350 | 1350 | 1350 | 1350 | 1350 | 1350 | 1300 | 1050 | 700 |
| 8FGCU18 | Tilt range, forward | deg | 6 | 6 | 6 | 6 | 6 | 6 | 6 | 6 | 6 | 6 | 6 | 6 | |
| | Tilt range, backward | deg | 10 | 10 | 10 | 10 | 10 | 10 | 10 | 5 | 5 | 5 | 5 | 5 | |
| | Load capacity at 500 mm LC | kg | 1750 | 1750 | 1750 | 1750 | 1750 | 1750 | 1750 | 1750 | 1750 | 1600 | 1550 | 1350 | 850 |
| | Load capacity at 600 mm LC | kg | 1600 | 1600 | 1600 | 1600 | 1600 | 1600 | 1600 | 1600 | 1600 | 1450 | 1450 | 1250 | 750 |

| Wide tread | | V | | | | FV | | | FSV | | | | | | |
|------------|----------------------------|-----|------|------|------|------|------|------|------|------|------|------|------|------|------|
| 8FGCU15 | Tilt range, forward | deg | 6 | 6 | 6 | 6 | 6 | 6 | 6 | 6 | 6 | 6 | 6 | 6 | |
| | Tilt range, backward | deg | 10 | 10 | 10 | 10 | 10 | 10 | 10 | 5 | 5 | 5 | 5 | 5 | |
| | Load capacity at 500 mm LC | kg | 1500 | 1500 | 1500 | 1500 | 1500 | 1500 | 1500 | 1500 | 1450 | 1400 | 1400 | 1350 | 900 |
| | Load capacity at 600 mm LC | kg | 1350 | 1350 | 1350 | 1350 | 1350 | 1350 | 1350 | 1350 | 1350 | 1350 | 1300 | 1250 | 1000 |



Engine Powered Forklift 2.0 - 2.5 ton

8FGCU

| Truck specifications | | | | | 8FGCU20 | 8FGCU25 |
|----------------------|---|---|---|-----------------|---------------|---------------|
| Identification | 1.1 | Manufacturer | | | TOYOTA | TOYOTA |
| | 1.2 | Model | | | 8FGCU20 | 8FGCU25 |
| | 1.3 | Drive | | | LPG | LPG |
| | 1.4 | Operator type | | | rider seated | rider seated |
| | 1.5 | Load capacity/rated load | Q | kg | 2000 [1800] | 2500 [2250] |
| | 1.6 | Load centre | c | mm | 500 [600] | 500 [600] |
| | 1.8 | Load distance, centre of drive axle to fork | x | mm | 425 | 425 |
| | 1.9 | Wheelbase | y | mm | 1485 | 1485 |
| | Weight | 2.1 | Service weight | | kg | 3240 |
| 2.2 | | Axle load, with load, front/rear | | kg | 4620/620 | 5340/790 |
| 2.3 | | Axle load, without load, front/rear | | kg | 1370/1870 | 1280/2350 |
| Tyres | 3.1 | Tyre - pneumatic (P), pneumatic shaped cushion (SE), solid rubber (R) | | | R | R |
| | 3.2 | Tyre size, front | | | 21x7x15 | 21x7x15 |
| | 3.3 | Tyre size, rear | | | 16x5x10-1/2 | 16x5x10-1/2 |
| | 3.5 | Wheels, number front/rear (x=driven wheels) | | | 2x/2 | 2x/2 |
| | 3.6 | Track width, front | b ₁₀ | mm | 890 | 890 |
| | 3.7 | Track width, rear | b ₁₁ | mm | 915 | 915 |
| | Dimensions | 4.1 | Tilt of mast/fork carriage forward/backward | a/b | deg | 6/10 |
| 4.2 | | Height, mast lowered | h ₁ | mm | 1965 | 1965 |
| 4.3 | | Free lift | h ₂ | mm | 155 | 155 |
| 4.4 | | Lift | h ₃ | mm | 3000 | 3000 |
| | | Lift height | h ₂₃ | mm | 3040 | 3040 |
| 4.5 | | Height, mast extended | h ₄ | mm | 4260 | 4260 |
| 4.7 | | Height of overhead guard (cab) | h ₆ | mm | 2050 | 2050 |
| 4.8 | | Seat height | h ₇ | mm | | |
| 4.12 | | Coupling height | h ₁₀ | mm | 260 | 260 |
| 4.19 | | Overall length | l ₁ | mm | 3385 | 3450 |
| 4.20 | | Length to face of forks | l ₂ | mm | 2315 | 2380 |
| 4.21 | | Overall width | b ₁ | mm | 1065 | 1065 |
| 4.22 | | Fork dimensions | s/e/l | mm | 40/125/1070 | 40/125/1070 |
| 4.23 | | Fork carriage DIN 15 173, class/type A, B | | | IIA | IIA |
| 4.24 | | Fork-carriage width | b ₃ | mm | 920 | 920 |
| 4.31 | | Ground clearance, with load, below mast | m ₁ | mm | 70 | 70 |
| 4.32 | | Ground clearance, centre of wheelbase | m ₂ | mm | 105 | 105 |
| 4.33 | | Aisle width for pallets 1000 x 1200 crossways | A _{st} | mm | 3545 | 3595 |
| 4.34 | Aisle width for pallets 800 x 1200 lengthways | A _{st} | mm | 3745 | 3795 | |
| 4.35 | Turning radius | W _a | mm | 1920 | 1970 | |
| 4.36 | Internal turning radius | b ₁₃ | mm | 587,5 | 587,5 | |
| Performance data | 5.1 | Travel speed, with/without load | | km/h | 17/17 | 17/17 |
| | 5.2 | Lift speed, with/without load | | m/s | 0,63/0,645 | 0,63/0,645 |
| | 5.3 | Lowering speed, with/without load | | m/s | 0,50/0,50 | 0,50/0,50 |
| | 5.6 | Max. drawbar pull, with/without load | | N | 18500/8300 | 18500/7800 |
| | 5.7 | Gradeability, with load ^{1) 2)} | | % | 36 | 30 |
| | 5.8 | Max. gradeability, with/without load ²⁾ | | % | 36/21 | 31/17 |
| | 5.10 | Service brake | | | hydraulic | hydraulic |
| Combustion engine | 7.1 | Engine manufacturer/type | | | TOYOTA 4Y-ECS | TOYOTA 4Y-ECS |
| | 7.2 | Engine power acc. to ISO 1585 | | kW | 38 | 38 |
| | 7.3 | Rated speed | | 1/min | 2570 | 2570 |
| | 7.4 | No. of cylinders/displacement | | cm ³ | 4/2237 | 4/2237 |
| Others | 8.2 | Operating pressure for attachments | | bar | 160 | 160 |
| | 8.3 | Oil volume for attachments | | l/min | 75,7 | 75,7 |
| | 8.4 | Sound level at the driver's ear according to EN 12 053 | | dB(A) | 78 | 78 |

¹⁾ At 1,5 km/h.

²⁾ Computed values.

Performance data and dimensions are nominal and subject to tolerances. Specifications are subject to change without notice. Please obtain the latest specifications before contracting products.

Master dimensions and rated capacities

8FGCU

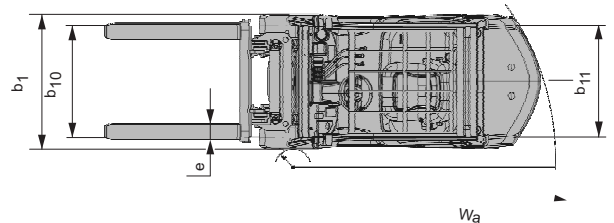
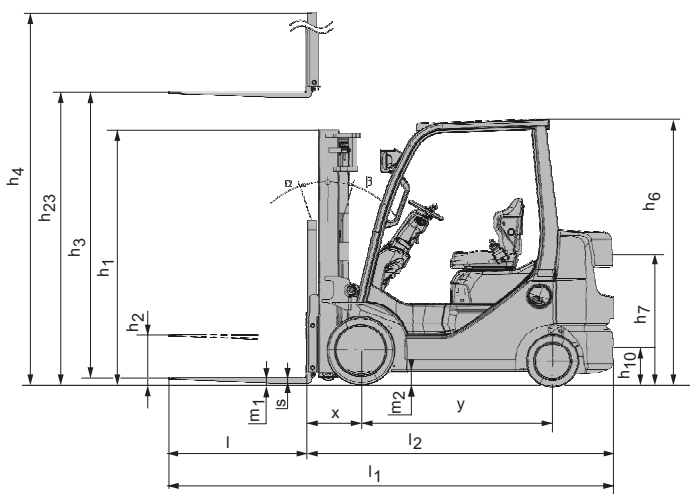
| Model | | | V | | | | | FV | | | FSV | | | | | |
|------------|-------------------------------------|----------|------|------|------|------|------|------|------|------|------|------|------|------|------|------|
| 8FGCU20/25 | Lift height | h_{23} | 3040 | 3340 | 3540 | 3740 | 4040 | 3040 | 3340 | 3540 | 4040 | 4340 | 4840 | 5040 | 5540 | 6040 |
| | Lift | h_3 | 3000 | 3300 | 3500 | 3700 | 4000 | 3000 | 3300 | 3500 | 4000 | 4300 | 4800 | 5000 | 5500 | 6000 |
| | Height, mast lowered | h_1 | 1965 | 2115 | 2215 | 2375 | 2565 | 1965 | 2115 | 2215 | 1865 | 1965 | 2115 | 2215 | 2375 | 2565 |
| | Height, mast extended ¹⁾ | h_4 | 3650 | 3950 | 4150 | 4350 | 4650 | 3640 | 3940 | 4140 | 4640 | 4940 | 5405 | 5640 | 6140 | 6640 |
| | Height, mast extended ²⁾ | h_4 | 4260 | 4560 | 4760 | 4960 | 5260 | 4260 | 4560 | 4760 | 5260 | 5560 | 6020 | 6260 | 6760 | 7260 |
| | Free lift, without load backrest | h_2 | 155 | 155 | 155 | 155 | 155 | 1360 | 1510 | 1610 | 1220 | 1320 | 1470 | 1570 | 1730 | 1920 |
| | Free lift, with load backrest | h_2 | 155 | 155 | 155 | 155 | 155 | 745 | 895 | 995 | 645 | 745 | 895 | 995 | 1155 | 1345 |

1) Without load backrest.

2) With load backrest; Height of standard load backrest is 1220 mm.

| Standard tread | | | V | | | | | FV | | | FSV | | | | | |
|----------------|----------------------------|-----|------|------|------|------|------|------|------|------|------|------|------|------|------|------|
| 8FGCU20 | Tilt range, forward | deg | 6 | 6 | 6 | 6 | 6 | 6 | 6 | 6 | 6 | 6 | 6 | 6 | 6 | 6 |
| | Tilt range, backward | deg | 10 | 10 | 10 | 10 | 10 | 10 | 10 | 10 | 5 | 5 | 5 | 5 | 5 | 5 |
| | Load capacity at 500 mm LC | kg | 2000 | 2000 | 2000 | 2000 | 2000 | 2000 | 2000 | 2000 | 2000 | 2000 | 2000 | 2000 | 1700 | 1250 |
| | Load capacity at 600 mm LC | kg | 1800 | 1800 | 1800 | 1800 | 1800 | 1800 | 1800 | 1800 | 1800 | 1800 | 1800 | 1750 | 1600 | 1250 |
| 8FGCU25 | Tilt range, forward | deg | 6 | 6 | 6 | 6 | 6 | 6 | 6 | 6 | 6 | 6 | 6 | 6 | 6 | 6 |
| | Tilt range, backward | deg | 10 | 10 | 10 | 10 | 10 | 10 | 10 | 10 | 5 | 5 | 5 | 5 | 5 | 5 |
| | Load capacity at 500 mm LC | kg | 2500 | 2500 | 2500 | 2500 | 2500 | 2500 | 2500 | 2500 | 2500 | 2500 | 2400 | 2300 | 1700 | 1100 |
| | Load capacity at 600 mm LC | kg | 2250 | 2250 | 2250 | 2250 | 2250 | 2250 | 2250 | 2250 | 2250 | 2250 | 2250 | 2100 | 1750 | 1100 |

| Wide tread | | | V | | | | | FV | | | FSV | | | | | |
|------------|----------------------------|-----|------|------|------|------|------|------|------|------|------|------|------|------|------|------|
| 8FGCU20 | Tilt range, forward | deg | 6 | 6 | 6 | 6 | 6 | 6 | 6 | 6 | 6 | 6 | 6 | 6 | 6 | 6 |
| | Tilt range, backward | deg | 10 | 10 | 10 | 10 | 10 | 10 | 10 | 10 | 5 | 5 | 5 | 5 | 5 | 5 |
| | Load capacity at 500 mm LC | kg | 2000 | 2000 | 2000 | 2000 | 2000 | 2000 | 2000 | 2000 | 2000 | 2000 | 2000 | 2000 | 1800 | 1400 |
| | Load capacity at 600 mm LC | kg | 1800 | 1800 | 1800 | 1800 | 1800 | 1800 | 1800 | 1800 | 1800 | 1800 | 1800 | 1750 | 1700 | 1500 |
| 8FGCU25 | Tilt range, forward | deg | 6 | 6 | 6 | 6 | 6 | 6 | 6 | 6 | 6 | 6 | 6 | 6 | 6 | 6 |
| | Tilt range, backward | deg | 10 | 10 | 10 | 10 | 10 | 10 | 10 | 10 | 5 | 5 | 5 | 5 | 5 | 5 |
| | Load capacity at 500 mm LC | kg | 2500 | 2500 | 2500 | 2500 | 2500 | 2500 | 2500 | 2500 | 2500 | 2500 | 2500 | 2500 | 2100 | 1350 |
| | Load capacity at 600 mm LC | kg | 2250 | 2250 | 2250 | 2250 | 2250 | 2250 | 2250 | 2250 | 2250 | 2250 | 2250 | 2100 | 2050 | 1450 |



Engine Powered Forklift 3.0 ton

8FGCU

| Truck specifications | | | | | 8FGCU30 |
|----------------------|---|---|---|-----------------|---------------|
| Identification | 1.1 | Manufacturer | | | TOYOTA |
| | 1.2 | Model | | | 8FGCU30 |
| | 1.3 | Drive | | | LPG |
| | 1.4 | Operator type | | | rider seated |
| | 1.5 | Load capacity/rated load | Q | kg | 3000 [2700] |
| | 1.6 | Load centre | c | mm | 500 [600] |
| | 1.8 | Load distance, centre of drive axle to fork | x | mm | 450 |
| | 1.9 | Wheelbase | y | mm | 1485 |
| | Weight | 2.1 | Service weight | | kg |
| 2.2 | | Axle load, with load, front/rear | | kg | 6310/910 |
| 2.3 | | Axle load, without load, front/rear | | kg | 1390/2830 |
| Tyres | 3.1 | Tyre - pneumatic (P), pneumatic shaped cushion (SE), solid rubber (R) | | | R |
| | 3.2 | Tyre size, front | | | 21x8x15 |
| | 3.3 | Tyre size, rear | | | 16x6x10-1/2 |
| | 3.5 | Wheels, number front/rear (x=driven wheels) | | | 2x/2 |
| | 3.6 | Track width, front | b ₁₀ | mm | 910 |
| | 3.7 | Track width, rear | b ₁₁ | mm | 915 |
| | Dimensions | 4.1 | Tilt of mast/fork carriage forward/backward | a/b | deg |
| 4.2 | | Height, mast lowered | h ₁ | mm | 1960 |
| 4.3 | | Free lift | h ₂ | mm | 135 |
| 4.4 | | Lift | h ₃ | mm | 3000 |
| | | Lift height | h ₂₃ | mm | 3045 |
| 4.5 | | Height, mast extended | h ₄ | mm | 4265 |
| 4.7 | | Height of overhead guard (cab) | h ₆ | mm | 2050 |
| 4.8 | | Seat height | h ₇ | mm | |
| 4.12 | | Coupling height | h ₁₀ | mm | 260 |
| 4.19 | | Overall length | l ₁ | mm | 3545 |
| 4.20 | | Length to face of forks | l ₂ | mm | 2475 |
| 4.21 | | Overall width | b ₁ | mm | 1110 |
| 4.22 | | Fork dimensions | s/e/l | mm | 45/125/1070 |
| 4.23 | | Fork carriage DIN 15 173, class/type A, B | | | IIIA |
| 4.24 | | Fork-carriage width | b ₃ | mm | 970 |
| 4.31 | | Ground clearance, with load, below mast | m ₁ | mm | 65 |
| 4.32 | | Ground clearance, centre of wheelbase | m ₂ | mm | 105 |
| 4.33 | | Aisle width for pallets 1000 x 1200 crossways | A _{st} | mm | 3680 |
| 4.34 | Aisle width for pallets 800 x 1200 lengthways | A _{st} | mm | 3880 | |
| 4.35 | Turning radius | W _a | mm | 2030 | |
| 4.36 | Internal turning radius | b ₁₃ | mm | 610 | |
| Performance data | 5.1 | Travel speed, with/without load | | km/h | 17/17 |
| | 5.2 | Lift speed, with/without load | | m/s | 0,52/0,55 |
| | 5.3 | Lowering speed, with/without load | | m/s | 0,50/0,50 |
| | 5.6 | Max. drawbar pull, with/without load | | N | 18500/7800 |
| | 5.7 | Gradeability, with load ^{1) 2)} | | % | 22 |
| | 5.8 | Max. gradeability, with/without load ²⁾ | | % | 25/16 |
| | 5.10 | Service brake | | | hydraulic |
| Combustion engine | 7.1 | Engine manufacturer/type | | | TOYOTA 4Y-ECS |
| | 7.2 | Engine power acc. to ISO 1585 | | kW | 38 |
| | 7.3 | Rated speed | | 1/min | 2570 |
| | 7.4 | No. of cylinders/displacement | | cm ³ | 4/2237 |
| Others | 8.2 | Operating pressure for attachments | | bar | 160 |
| | 8.3 | Oil volume for attachments | | l/min | 75,7 |
| | 8.4 | Sound level at the driver's ear according to EN 12 053 | | dB(A) | 78 |

¹⁾ At 1,5 km/h.

²⁾ Computed values.

Performance data and dimensions are nominal and subject to tolerances. Specifications are subject to change without notice. Please obtain the latest specifications before contracting products.

Master dimensions and rated capacities

8FGCU

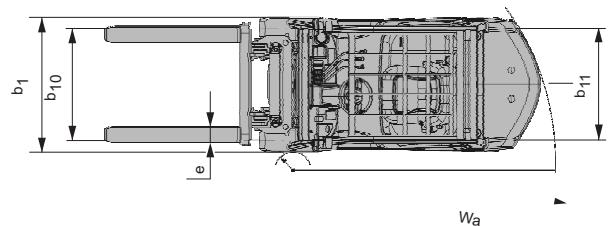
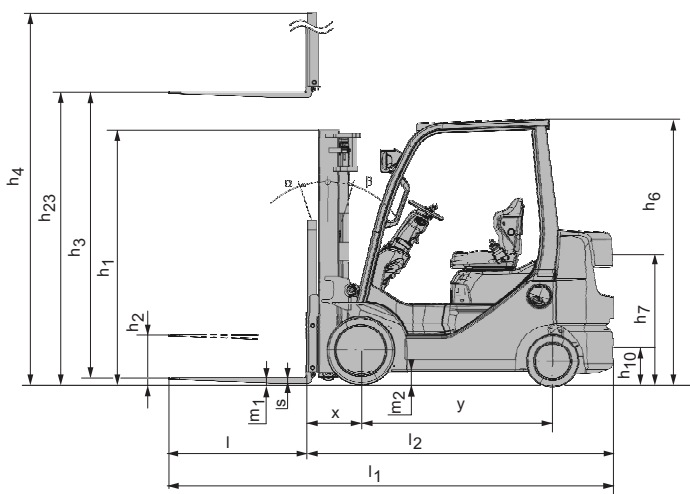
| Model | | | V | | | | | FV | | | FSV | | | | | |
|---------|-------------------------------------|----------|------|------|------|------|------|------|------|------|------|------|------|------|------|------|
| 8FGCU30 | Lift height | h_{23} | 3045 | 3345 | 3545 | 3745 | 4045 | 3045 | 3345 | 3545 | 4045 | 4345 | 4845 | 5045 | 5545 | 6045 |
| | Lift | h_3 | 3000 | 3300 | 3500 | 3700 | 4000 | 3000 | 3300 | 3500 | 4000 | 4300 | 4800 | 5000 | 5500 | 6000 |
| | Height, mast lowered | h_1 | 1960 | 2110 | 2210 | 2370 | 2560 | 1960 | 2110 | 2210 | 1960 | 2110 | 2210 | 2370 | 2560 | 2810 |
| | Height, mast extended ¹⁾ | h_4 | 3695 | 3995 | 4195 | 4395 | 4695 | 3600 | 3900 | 4100 | 4600 | 4900 | 5300 | 5600 | 6100 | 6600 |
| | Height, mast extended ²⁾ | h_4 | 4265 | 4565 | 4765 | 4965 | 5265 | 4265 | 4565 | 4765 | 5265 | 5565 | 5965 | 6265 | 6765 | 7265 |
| | Free lift, without load backrest | h_2 | 135 | 135 | 135 | 135 | 135 | 1360 | 1510 | 1610 | 1400 | 1550 | 1650 | 1810 | 2000 | 2250 |
| | Free lift, with load backrest | h_2 | 135 | 135 | 135 | 135 | 135 | 740 | 890 | 990 | 740 | 890 | 990 | 1150 | 1340 | 1590 |

1) Without load backrest.

2) With load backrest; Height of standard load backrest is 1220 mm.

| Standard tread | | | V | | | | | FV | | | FSV | | | | | |
|----------------|----------------------------|-----|------|------|------|------|------|------|------|------|------|------|------|------|------|------|
| 8FGCU30 | Tilt range, forward | deg | 6 | 6 | 6 | 6 | 6 | 6 | 6 | 6 | 6 | 6 | 6 | 6 | 6 | 6 |
| | Tilt range, backward | deg | 10 | 10 | 10 | 10 | 10 | 10 | 10 | 10 | 5 | 5 | 5 | 5 | 5 | 5 |
| | Load capacity at 500 mm LC | kg | 3000 | 3000 | 3000 | 3000 | 3000 | 3000 | 3000 | 3000 | 3000 | 2950 | 2900 | 2800 | 2400 | 1800 |
| | Load capacity at 600 mm LC | kg | 2700 | 2700 | 2700 | 2700 | 2700 | 2700 | 2700 | 2700 | 2700 | 2700 | 2700 | 2650 | 2400 | 1800 |

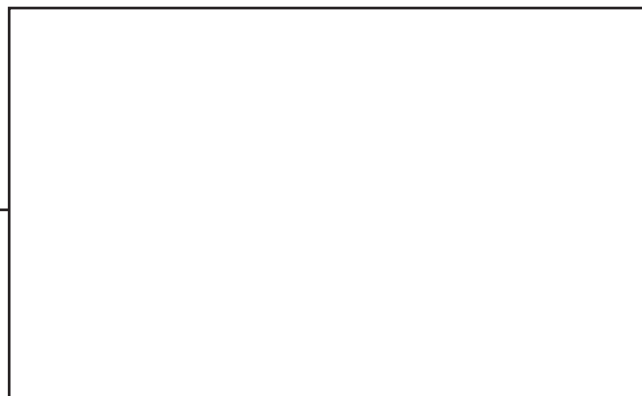
| Wide tread | | | V | | | | | FV | | | FSV | | | | | |
|------------|----------------------------|-----|------|------|------|------|------|------|------|------|------|------|------|------|------|------|
| 8FGCU30 | Tilt range, forward | deg | 6 | 6 | 6 | 6 | 6 | 6 | 6 | 6 | 6 | 6 | 6 | 6 | 6 | 6 |
| | Tilt range, backward | deg | 10 | 10 | 10 | 10 | 10 | 10 | 10 | 10 | 5 | 5 | 5 | 5 | 5 | 5 |
| | Load capacity at 500 mm LC | kg | 3000 | 3000 | 3000 | 3000 | 3000 | 3000 | 3000 | 3000 | 3000 | 2950 | 2900 | 2800 | 2600 | 2350 |
| | Load capacity at 600 mm LC | kg | 2700 | 2700 | 2700 | 2700 | 2700 | 2700 | 2700 | 2700 | 2700 | 2700 | 2700 | 2650 | 2550 | 2350 |



Standard equipments:

- Toyota SAS (System of Active Stability*)
- Toyota OPS (Operator Presence Sensing)
- Toyota ORS seat (Operator Restraint System)
- Mechanical levers
- Wide visible mast [MFH: 3000 mm]
- Load backrest [Height: 1220 mm]
- Long forks [Length: 1070 mm]
- Long forkbar [Length: 810 mm (8FGCU15/18); 920 mm (8FGCU20/25); 970 mm (8FGCU30)]
- 3-way valve
- Cushion tyres
- Full hydraulic power steering
- 6"/ 7" Cyclone air cleaner with snorkel air intake
- Anti-restart ignition key switch
- Headlights
- Integrated monitoring center
- Tilt steering column

* = When dual tyres are selected, the Active Control Rear Stabilizer function of the SAS system of Active Stability (SAS) is not included.



TP-Technical Publications, Sweden — 745563-040, version 1, 1001 — 8FGCU