

# Electric powered forklift 1.5 - 2.0 ton

TOYOTA  
**TRIGO<sup>48</sup>**

3 wheel



**TOYOTA**

MATERIAL HANDLING

stronger together

# Electric powered forklift 1.5 - 1.6 t

Truck specifications					8FBET15	8FBEKT16	8FBET16
Identification	1.1	Manufacturer			TOYOTA	TOYOTA	TOYOTA
	1.2	Model			8FBET15	8FBEKT16	8FBET16
	1.3	Drive			Electric	Electric	Electric
	1.4	Operator type			Rider seated	Rider seated	Rider seated
	1.5	Load capacity/rated load	Q	kg	1500	1600	1600
	1.6	Load centre	c	mm	500	500	500
	1.8	Load distance, centre of drive axle to fork	x	mm	348	348	348
	1.9	Wheelbase	y	mm	1264	1372	1480
	Weight	2.1	Service weight		kg	2955	2984
2.2		Axle load, with load, front/rear		kg	3888/566	4033/552	4040/521
2.3		Axle load, without load, front/rear		kg	1382/1573	1443/1541	1523/1438
Tyres	3.1	Tyre - pneumatic (P), pneumatic shaped cushion (SE), solid rubber (R)			SE	SE	SE
	3.2	Tyre size, front			18x7-8	18x7-8	18x7-8
	3.3	Tyre size, rear			15x4.1/2x8	15x4.1/2x8	15x4.1/2x8
	3.5	Wheels, number front/rear (x=driven wheels)			2x/2	2x/2	2x/2
	3.6	Track width, front	b <sub>10</sub>	mm	894	894	894
	3.7	Track width, rear	b <sub>11</sub>	mm	175,4	175,4	175,4
	Dimensions	4.1	Tilt of mast/fork carriage forward/backward	$\alpha/\beta$	deg	5/7	5/7
4.2		Height, mast lowered	h <sub>1</sub>	mm	2150	2150	2150
4.3		Free lift	h <sub>2</sub>	mm	120	120	120
4.4		Lift	h <sub>3</sub>	mm	3265	3265	3265
		Lift height	h <sub>23</sub>	mm	3300	3300	3300
4.5		Height, mast extended	h <sub>4</sub>	mm	3845	3845	3845
4.7		Height of overhead guard (cab)	h <sub>6</sub>	mm	2055	2055	2055
4.8		Seat height/stand height	h <sub>7</sub>	mm	944	944	944
4.12		Coupling height	h <sub>10</sub>	mm	537	537	537
4.19		Overall length	l <sub>1</sub>	mm	2782	2890	2998
4.20		Length to face of forks	l <sub>2</sub>	mm	1782	1890	1998
4.21		Overall width	b <sub>1</sub>	mm	1050	1050	1050
4.22		Fork dimensions	s/e/l	mm	35/100/1000	35/100/1000	35/100/1000
4.23		Fork carriage DIN 15 173, class/type A, B			IIA	IIA	IIA
4.24		Fork-carriage width	b <sub>3</sub>	mm	920	920	920
4.31		Ground clearance, with load, below mast	m <sub>1</sub>	mm	80	80	80
4.32		Ground clearance, centre of wheelbase	m <sub>2</sub>	mm	90	90	90
4.33		Aisle width for pallets 1000 x 1200 crossways	A <sub>st</sub>	mm	3109	3217	3325
4.34	Aisle width for pallets 800 x 1200 lengthways	A <sub>st</sub>	mm	3232	3340	3448	
4.35	Turning radius	W <sub>a</sub>	mm	1434	1542	1650	
4.36	Internal turning radius	b <sub>13</sub>	mm	0	0	0	
Performance data	5.1	Travel speed, with/without load		km/h	16/16	16/16	16/16
	5.2	Lift speed, with/without load		m/s	0,44/0,61	0,43/0,61	0,43/0,61
	5.3	Lowering speed, with/without load		m/s	0,53/0,55	0,53/0,55	0,53/0,55
	5.5	Drawbar pull, with/without load		N	5068/5158	5041/5149	5044/5153
	5.6	Max. drawbar pull, with/without load		N	9519/9424	9491/9415	9495/9419
	5.7	Gradeability, with/without load		%	16,9/22,0	16,3/23,4	16,3/25,3
	5.8	Max. gradeability, with/without load		%	23,1/22,00	22,2/23,4	22,3/25,3
5.10	Service brake			Mechanical	Mechanical	Mechanical	
Electric motor	6.1	Drive motor rating S2 60 min		kW	6,6x2	6,6x2	6,6x2
	6.2	Lift motor rating S3 15%		kW	11	11	11
	6.3	Battery acc. to DIN 43 531/35/36 A, B, C, no			43 531A	43 531A	43 531A
	6.4	Battery voltage, nominal capacity K5		V/Ah	48/440	48/550	48/660
	6.5	Battery weight		kg	708	856	1013
Others	8.1	Type of drive control			inverter MOSFET	inverter MOSFET	inverter MOSFET
	8.2	Operating pressure for attachments		bar	183	183	183
	8.3	Oil volume for attachments		l/min	41,3	41,3	41,3
	8.4	Sound level at the driver's ear according to EN 12 053		dB(A)	70,7	70,7	70,7

Performance data and dimensions are nominal and subject to tolerances.  
Specifications are subject to change without notice.  
Please obtain the latest specifications before contracting products.



# Electric powered forklift 1.8 ton

Truck specifications					8FBEKT18	8FBET18
Identification	1.1	Manufacturer			TOYOTA	TOYOTA
	1.2	Model			8FBEKT18	8FBET18
	1.3	Drive			Electric	Electric
	1.4	Operator type			Rider seated	Rider seated
	1.5	Load capacity/rated load	Q	kg	1800	1800
	1.6	Load centre	c	mm	500	500
	1.8	Load distance, centre of drive axle to fork	x	mm	355	355
	1.9	Wheelbase	y	mm	1372	1480
Weight	2.1	Service weight			3187	3195
	2.2	Axle load, with load, front/rear			4435/552	4433/562
	2.3	Axle load, without load, front/rear			1513/1674	1592/1603
Tyres	3.1	Tyre - pneumatic (P), pneumatic shaped cushion (SE), solid rubber (R)			SE	SE
	3.2	Tyre size, front			18x7-8	18x7-8
	3.3	Tyre size, rear			140/55-9	140/55-9
	3.5	Wheels, number front/rear (x=driven wheels)			2x2	2x2
	3.6	Track width, front	b <sub>10</sub>	mm	894	894
	3.7	Track width, rear	b <sub>11</sub>	mm	181	181
	Dimensions	4.1	Tilt of mast/fork carriage forward/backward		$\alpha/\beta$	deg
4.2		Height, mast lowered		h <sub>1</sub>	mm	2150
4.3		Free lift		h <sub>2</sub>	mm	120
4.4		Lift		h <sub>3</sub>	mm	3265
		Lift height		h <sub>23</sub>	mm	3300
4.5		Height, mast extended		h <sub>4</sub>	mm	3845
4.7		Height of overhead guard (cab)		h <sub>6</sub>	mm	2055
4.8		Seat height/stand height		h <sub>7</sub>	mm	944
4.12		Coupling height		h <sub>10</sub>	mm	543
4.19		Overall length		l <sub>1</sub>	mm	2897
4.20		Length to face of forks		l <sub>2</sub>	mm	1897
4.21		Overall width		b <sub>1</sub>	mm	1050
4.22		Fork dimensions		s/e/l	mm	35/100/1000
4.23		Fork carriage DIN 15 173, class/type A, B				A
4.24		Fork-carriage width		b <sub>3</sub>	mm	920
4.31		Ground clearance, with load, below mast		m <sub>1</sub>	mm	80
4.32		Ground clearance, centre of wheelbase		m <sub>2</sub>	mm	90
4.33		Aisle width for pallets 1000 x 1200 crossways		A <sub>st</sub>	mm	3224
4.34	Aisle width for pallets 800 x 1200 lengthways		A <sub>st</sub>	mm	3348	
4.35	Turning radius		W <sub>a</sub>	mm	1542	
4.36	Internal turning radius		b <sub>13</sub>	mm	0	
Performance data	5.1	Travel speed, with/without load		km/h	16/16	16/16
	5.2	Lift speed, with/without load		m/s	0,42/0,61	0,42/0,61
	5.3	Lowering speed, with/without load		m/s	0,53/0,55	0,53/0,55
	5.5	Drawbar pull, with/without load		N	4979/5126	4986/5133
	5.6	Max. drawbar pull, with/without load		N	9429/9392	9437/9399
	5.7	Gradeability, with/without load		%	15,0/22,1	15,1/24,1
	5.8	Max. gradeability, with/without load		%	20,5/22,1	20,7/24,1
	5.10	Service brake			Mechanical	Mechanical
Electric motor	6.1	Drive motor rating S2 60 min		kW	6,6x2	6,6x2
	6.2	Lift motor rating S3 15%		kW	11	11
	6.3	Battery acc. to DIN 43 531/35/36 A, B, C, no			43 531A	43 531A
	6.4	Battery voltage, nominal capacity K5		V/Ah	48/550	48/660
	6.5	Battery weight		kg	856	1013
Others	8.1	Type of drive control			inverter MOSFET	inverter MOSFET
	8.2	Operating pressure for attachments		bar	183	183
	8.3	Oil volume for attachments		l/min	41,3	41,3
	8.4	Sound level at the driver's ear according to EN 12 053		dB(A)	70,7	70,7

Performance data and dimensions are nominal and subject to tolerances.

Specifications are subject to change without notice.

Please obtain the latest specifications before contracting products.

# Most dimensions and rated capacities

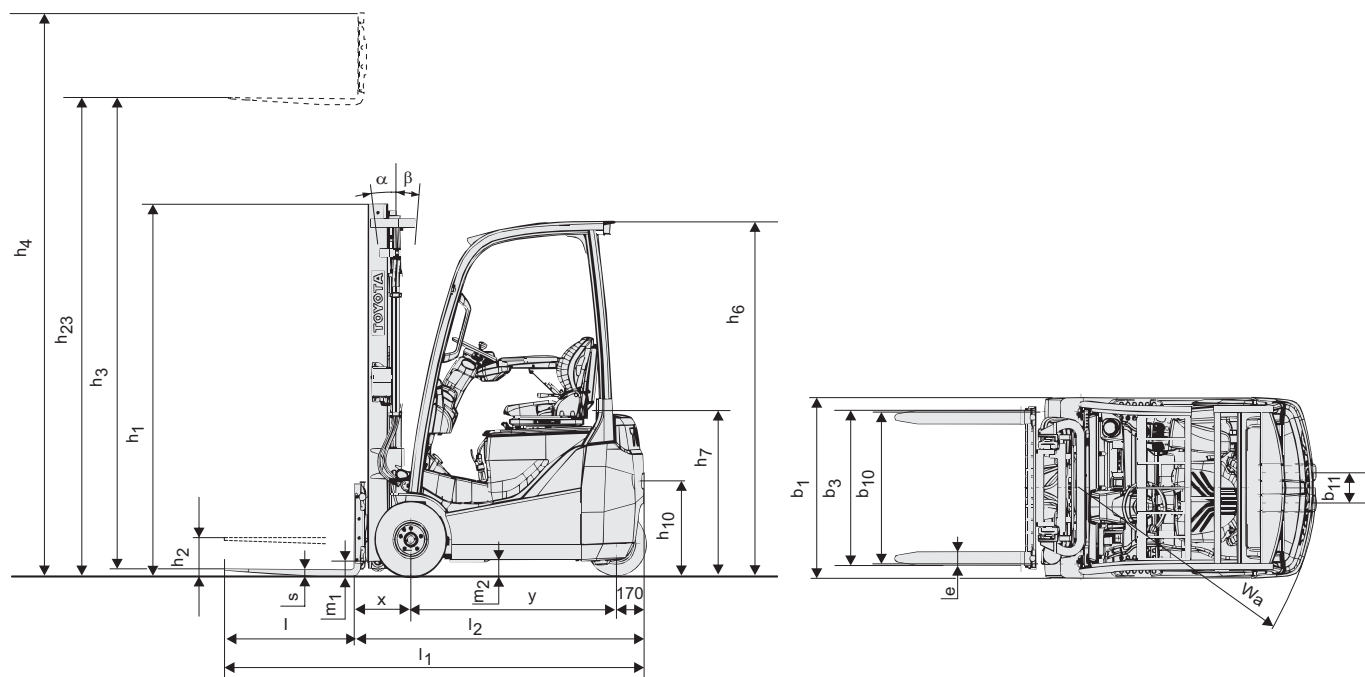
Model			V									FW				FSW								
8FBET18/8FBET18	Lift height	$h_{23}$	3000	3300	3500	3700	4000	4200	4500	4700	5000	3000	3300	3500	3700	4300	4500	4700	5000	5500	6000	6500	7000	7500
	Lift	$h_3$	2965	3265	3465	3665	3965	4165	4465	4665	4965	2965	3265	3465	3665	4265	4465	4665	4965	5465	5965	6465	6965	7465
	Height, mast lowered	$h_1$	2000	2150	2250	2350	2550	2650	2800	2900	3100	2000	2150	2250	2350	1980	2050	2150	2250	2450	2600	2800	3000	3200
	Height, mast extended <sup>1)</sup>	$h_4$	3545	3845	4045	4245	4545	4745	5045	5245	5545	3555	3855	4055	4255	4845	5045	5245	5545	6045	6545	7045	7545	8045
	Height, mast extended <sup>2)</sup>	$h_4$	4260	4560	4760	4960	5260	5460	5760	5960	6260	4260	4560	4760	4960	5560	5760	5960	6260	6760	7260	7760	8260	8760
	Free lift, without load backrest	$h_2$	120	120	120	120	120	120	120	120	120	1485	1635	1735	1835	1475	1545	1645	1745	1945	2095	2295	2495	2695
	Free lift, with load backrest	$h_2$	120	120	120	120	120	120	120	120	120	780	930	1030	1130	760	830	930	1030	1230	1380	1580	1780	1980

1) Without load backrest

2) With load backrest; Height of standard load backrest is 1220 mm.

Pneumatic shaped cushion tyre			V									FW				FSW								
8FBET18 8FBET18	Tilt range, forward	deg	5	5	5	5	5	5	5	5	5	5	5	5	5	5	5	5	5	5	5	5	5	5
	Tilt range, backward	deg	7(5)	7(5)	7(5)	7(5)	7(5)	7(5)	7(5)	7(5)	7(5)	7(5)	7(5)	7(5)	7(5)	7(5)	7(5)	7(5)	7(5)	7(5)	5	5	5	5
	Load capacity at 500 mm LC	kg	1800	1800	1800	1800	1800	1750	1700	1650	1600	1800	1800	1800	1800	1650	1620	1600	1550	1450	1350	1050	800	550

Data in ( ) are for when "Cabin Series" is selected (minimum front windshield).



# Electric powered forklift 2.0 ton

Truck specifications					8FBET20
Identification	1.1	Manufacturer			TOYOTA
	1.2	Model			8FBET20
	1.3	Drive			Electric
	1.4	Operator type			Rider seated
	1.5	Load capacity/rated load	Q	kg	2000
	1.6	Load centre	c	mm	500
	1.8	Load distance, centre of drive axle to fork	x	mm	355
	1.9	Wheelbase	y	mm	1480
	Weight	2.1	Service weight		
2.2		Axle load, with load, front/rear			4791/617
2.3		Axle load, without load, front/rear			1635/1773
Tyres	3.1	Tyre - pneumatic (P), pneumatic shaped cushion (SE), solid rubber (R)			SE
	3.2	Tyre size, front			200/50-10
	3.3	Tyre size, rear			140/55-9
	3.5	Wheels, number front/rear (x=driven wheels)			2x2
	3.6	Track width, front	b <sub>10</sub>	mm	914
	3.7	Track width, rear	b <sub>11</sub>	mm	181
	Dimensions	4.1	Tilt of mast/fork carriage forward/backward	$\alpha/\beta$	deg
4.2		Height, mast lowered	h <sub>1</sub>	mm	2150
4.3		Free lift	h <sub>2</sub>	mm	120
4.4		Lift	h <sub>3</sub>	mm	3265
		Lift height	h <sub>23</sub>	mm	3300
4.5		Height, mast extended	h <sub>4</sub>	mm	3845
4.7		Height of overhead guard (cab)	h <sub>6</sub>	mm	2055
4.8		Seat height/stand height	h <sub>7</sub>	mm	952
4.12		Coupling height	h <sub>10</sub>	mm	543
4.19		Overall length	l <sub>1</sub>	mm	3005
4.20		Length to face of forks	l <sub>2</sub>	mm	2005
4.21		Overall width	b <sub>1</sub>	mm	1122
4.22		Fork dimensions	s/e/l	mm	35/120/1000
4.23		Fork carriage DIN 15 173, class/type A, B			A
4.24		Fork-carriage width	b <sub>3</sub>	mm	920
4.31		Ground clearance, with load, below mast	m <sub>1</sub>	mm	90
4.32		Ground clearance, centre of wheelbase	m <sub>2</sub>	mm	97
4.33		Aisle width for pallets 1000 x 1200 crossways	A <sub>st</sub>	mm	3332
4.34		Aisle width for pallets 800 x 1200 lengthways	A <sub>st</sub>	mm	3456
4.35		Turning radius	W <sub>a</sub>	mm	1650
4.36	Internal turning radius	b <sub>13</sub>	mm	0	
Performance data	5.1	Travel speed, with/without load		km/h	16/16
	5.2	Lift speed, with/without load		m/s	0,38/0,54
	5.3	Lowering speed, with/without load		m/s	0,52/0,50
	5.5	Drawbar pull, with/without load		N	4839/5046
	5.6	Max. drawbar pull, with/without load		N	9145/9188
	5.7	Gradeability, with/without load		%	13,2/24,4
	5.8	Max. gradeability, with/without load		%	18,0/24,4
	5.10	Service brake			Mechanical
Electric motor	6.1	Drive motor rating S2 60 min		kW	6,6x2
	6.2	Lift motor rating S3 15%		kW	11
	6.3	Battery acc. to DIN 43 531/35/36 A, B, C, no			43 531A
	6.4	Battery voltage, nominal capacity K5		V/Ah	48/660
	6.5	Battery weight		kg	1013
Others	8.1	Type of drive control			inverter MOSFET
	8.2	Operating pressure for attachments		bar	183
	8.3	Oil volume for attachments		l/min	41,3
	8.4	Sound level at the driver's ear according to EN 12 053		dB(A)	70,7

Performance data and dimensions are nominal and subject to tolerances.  
 Specifications are subject to change without notice.  
 Please obtain the latest specifications before contracting products.

# Most dimensions and rated capacities

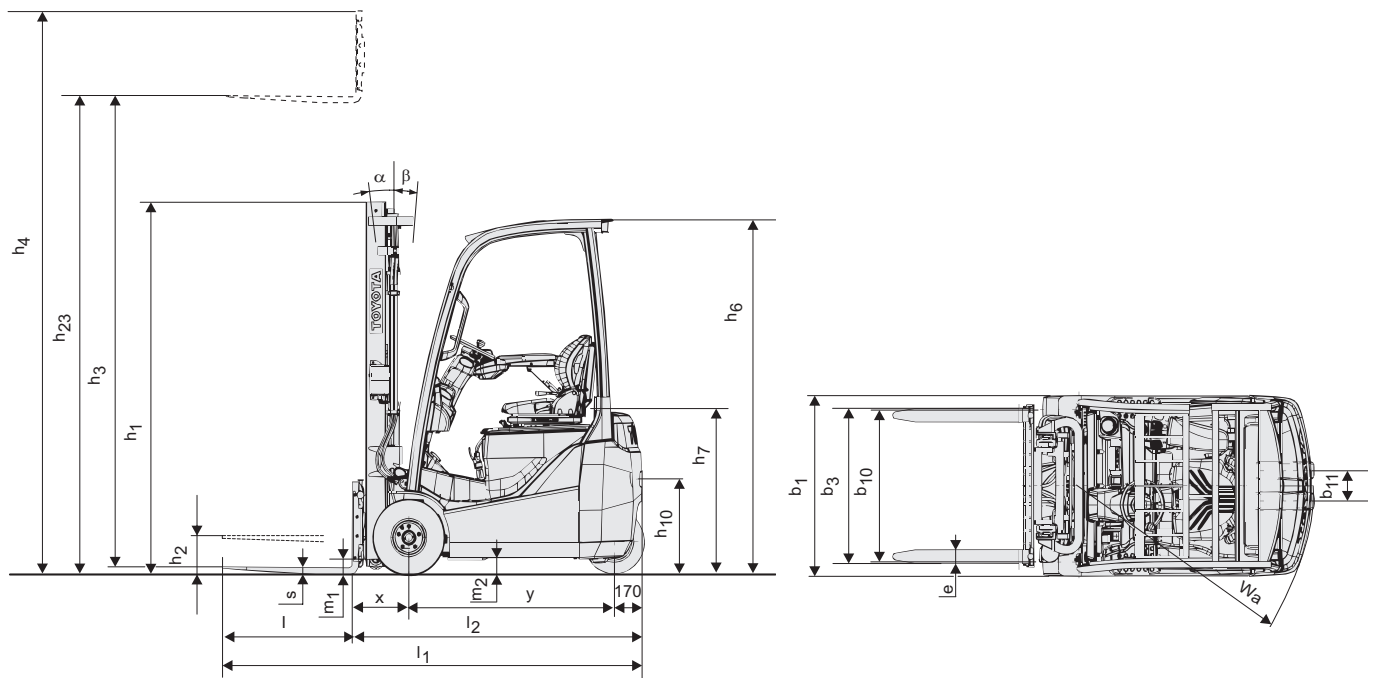
Model			V									FW				FSW								
8FBET20	Lift height	$h_{23}$	3000	3300	3500	3700	4000	4200	4500	4700	5000	3000	3300	3500	3700	4300	4500	4700	5000	5500	6000	6500	7000	7500
	Lift	$h_3$	2965	3265	3465	3665	3965	4165	4465	4665	4965	2965	3265	3465	3665	4265	4465	4665	4965	5465	5965	6465	6965	7465
	Height, mast lowered	$h_1$	2000	2150	2250	2350	2550	2650	2800	2900	3100	2000	2150	2250	2350	1980	2050	2150	2250	2450	2600	2800	3000	3200
	Height, mast extended <sup>1)</sup>	$h_4$	3545	3845	4045	4245	4545	4745	5045	5245	5545	3555	3855	4055	4255	4845	5045	5245	5545	6045	6545	7045	7545	8045
	Height, mast extended <sup>2)</sup>	$h_4$	4260	4560	4760	4960	5260	5460	5760	5960	6260	4260	4560	4760	4960	5560	5760	5960	6260	6760	7260	7760	8260	8760
	Free lift, without load backrest	$h_2$	120	120	120	120	120	120	120	120	120	1485	1635	1735	1835	1475	1545	1645	1745	1945	2095	2295	2495	2695
	Free lift, with load backrest	$h_2$	120	120	120	120	120	120	120	120	120	780	930	1030	1130	760	830	930	1030	1230	1380	1580	1780	1980

1) Without load backrest

2) With load backrest; Height of standard load backrest is 1220 mm.

Pneumatic shaped cushion tyre			V									FW				FSW								
8FBET20	Tilt range, forward	deg	5	5	5	5	5	5	5	5	5	5	5	5	5	5	5	5	5	5	5	5	5	5
	Tilt range, backward	deg	7(5)	7(5)	7(5)	7(5)	7(5)	7(5)	7(5)	7(5)	7(5)	7(5)	7(5)	7(5)	7(5)	7(5)	7(5)	7(5)	7(5)	7(5)	5	5	5	5
	Load capacity at 500 mm LC	kg	2000	2000	2000	2000	2000	2000	2000	1920	1850	2000	2000	2000	2000	1800	1780	1750	1700	1650	1550	1250	1000	750

Data in ( ) are for when "Cabin Series" is selected (minimum front windshield).



## Standard equipments:

- Toyota SAS (System of Active Stability)
- Toyota AC<sup>2</sup> power system
- Toyota ORS seat (Operator Restraint System)
- Seat mounted hydraulic minilevers
- Wide visible mast (MFH:3300)
- Long forks (length:1000mm)
- Long forkbar (length: 920mm)
- 3 way valves
- Wet disc brakes
- Pneumatic shaped cushion tyres
- Full hydraulic power steering
- Digital Multifunction Display with wheel indicator
- Memory tilt steering column



TP-Technical Publications, Sweden — 745555-040, version 2, 0912 — 8FBET/8FBEKT